

HD6 Weather

HIGH SPEED PTZ DOME SYSTEM

The HD6 Weather is specifically designed for installation in an outdoor environment. Each HD6 Weather includes a thermostat-controlled, 24 VAC heater and blower which maintains a comfortable operating environment for the integral camera, zoom lens and the drive mechanism.

The HD6 Weather features a variable, speed pan drive of 0.10° to 400° per second and tilt drive of 0.1 – 200° per second. The maximum manual pan speed is programmable between 100°, 200° and 400° per second. During automatic operations (PreShots and VectorScans), the HD6 Weather can reach any scene in less than 0.5 seconds with 0.10° accuracy. Using precision stepper motors and a belt drive, the operation of the system is extremely quiet and accurate.

Market Opportunities

The HD6 Weather is perfect for use in outdoor environments. The HD6 Weather is used around the world in education, retail, traffic and government installations.

Features

- Built-in 24VAC heater and blower
- High-Resolution Color, WDR and True Day/Night Cameras for extreme low-light performance
- 35X WDR & TDN with Electronic Image Stabilization, 540 TVL
- Slow-speed shutter provides low-light color performance down to 0.01 lux
- 360° continuous pan rotation
- +2° to -90° tilt travel
- Variable pan speed 1/10° - 400° per second, proportional to zoom
- 3, 2-minute PTZ mimic tours
- Up to 98 programmable PreShots with 24-character on-screen labels
- PreShot recall speed is less than 1/2 second
- 10 programmable VectorScans (video guard tours)
- 16 sector IDs with 24-character on-screen displays
- PreShot accuracy of 0.10°
- 10 privacy zones
- Auto data polarization with Diamond Protocol
- 4 on-board alarm inputs
- Auto-pivot tracking
- English, French, German, Italian, Polish or Spanish languages for programming menus & OSD
- Honeywell Diamond, VCL, Maxpro mode and Pelco P&D protocols supported
- Auto Homing feature can also activate Tours and Vector Scans
- Unshielded Twisted Pair (UTP) video option available
- Patented "Flashback" technology recalls last stored position



HD6 Weather

SPECIFICATIONS

CAMERA	HD6A	HD6B	HD6C	HD6G
Image Sensor	1/4" Ex-view HAD CCD	1/4" Ex-view HAD CCD	1/4" Ex-view HAD CCD	1/4" Ex-view HAD CCD
Lens	18X optical zoom, f=4.1mm (wide) to 73.8mm (tele), F1.4 to F3.0	18X optical zoom, f=4.1 mm (wide) to 73.8 mm (tele), F1.4 to F3.0	23X optical zoom, f=3.5 mm (wide) to 87.4 mm (tele), F1.6 to F3.8	35X optical zoom, f=3.4 (wide) to 119mm (tele), F1.4 to F4.2
Horizontal Resolution	>470 TVL (NTSC) >460 TVL (PAL)	>470 TVL (NTSC) >460 TVL (PAL)	>470 TVL (NTSC) >460 TVL (PAL)	>540 TVL (NTSC) >530 TVL (PAL)
Moveable IR Filter	No	Yes	Yes	Yes
Wide Dynamic Range	No	No	Yes	Yes
Digital Zoom	12X (216X total zoom)	12X (216X total zoom)	4X (92X total zoom)	12X (420X total zoom)
Angle of View (H)	48° (wide end) to 2.8° (tele end)	48° (wide end) to 2.8° (tele end)	54.2° (wide end) to 2.2° (tele end)	55.8° (wide end) to 1.7° (tele end)
Sync System	Internal/AC line lock	Internal/AC line lock	Internal/AC line lock	Internal/AC line lock
Minimum Illumination	0.7 lux	0.7 lux, 0.01 lux (IR filter removed)	3.0 lux, 0.09 lux (IR filter removed)	0.5 lux, 0.05 lux (IR filter removed)
S/N Ratio	> 50dB	> 50dB	> 50dB	> 50dB
Electronic Shutter	1/1 to 1/10,000sec	1/1 to 1/10,000sec	1/1 to 1/4,000sec	1/2 to 1/30,000sec
White Balance	Auto, ATW, Indoor, Outdoor, Manual	Auto, ATW, Indoor, Outdoor, Manual	Auto/Manual	Auto, Indoor, Outdoor, Manual
Gain	Auto/Manual	Auto/Manual	Auto/Manual	Auto/Manual
Back-Light Compensation	On/Off/Auto	On/Off/Auto	On/Off/Auto	On/Off/Auto
Focusing System	Auto/Manual	Auto/Manual	Auto/Manual	Auto/Manual
Electronic Image Stabilization (EIS)	No	No	No	Yes, up to 12 dB suppression

NOTE: Honeywell reserves the right, without notification, to make changes in product design or specifications.

HD6A High resolution color camera with an 18X optical zoom (48° wide angle and 2.8° telephoto). The HD6A is compatible with the entire line of HD6 dome housings.

HD6B High resolution Day/Night camera with an 18X optical zoom (48° wide angle and 2.8° telephoto). The HD6B is compatible with the entire line of HD6 dome housings.

HD6C High resolution Day/Night camera with a 23X optical zoom (54° wide angle and 2.5° telephoto). The HD6C is compatible with the entire line of HD6 dome housings.

HD6G High resolution Day/Night camera with a 35X optical zoom (55.8° wide angle and 1.7° telephoto). The HD6G is compatible with the entire line of HD6 dome housings.

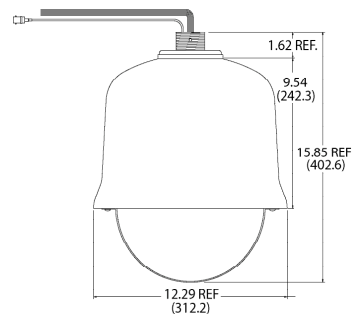
HD6 Weather

www.honeywellvideo.com

SPECIFICATIONS

Operational	
Angular Travel	Horizontal: 360° continuous Tilt: 2° above horizontal to 90° down
Speed (Manual Mode)	Pan: variable from 0.10° to 400°/ sec. Tilt: variable from 0.10° to 200°/sec.
Speed to Preshot	400°/sec. (<0.5 sec.)
PreShot Accuracy	<0.10° accuracy
PreShots Per Dome	Pan/tilt/zoom = 98
Video Tours (VectorScans)	10 per dome
PreShots Per Tour	64
Still Shot™ Feature	PreShot freeze-frame of video during tour
Patterns (Learn mode)	3, 2-minute programmable PTZ tours
Sector Identification	16 independent sectors (zones)
Privacy Zones	10 programmable zones that blank the video when entered for privacy issues
Installation in Dome	Simple electrical quick disconnect and mechanical slide mount
Alarm Processing	4 on-board alarm inputs for dry contacts
Protocol Translation	Diamond, Maxpro, VCL and Pelco "P" & "D"
Auto-Homing	Activates Vectorscan tours and "Auto Learn" patterns. Dwell time is programmable up to 99 minutes
Flashback	Recalls the last PreShot position observed whether in manual, Vectorscan or Auto Learn (pattern) mode. PreShots can be toggled between last two
Digital Zoom label	Provides on-screen identification of digital zoom setting (ie 2x, 4x, 12x). User can select if On or Off
24 VAC Line-Lock	Unit is 24 VAC line locked with 180° phase adjust
Freeze Frame of Video	When activated, the unit freezes the video signal for assessment or recording
Receiver/Driver	Digital – on board Communication: RS-485 Numeric rotary switch addressability Battery-backed memory

Electrical	
Input Voltage	PTZ – 24 VAC @ 50/60Hz Heater/Blower – 24 VAC @ 50/60Hz
Input Tolerance	24 VAC ± 20%
Power Consumption	PTZ – 22 W @ 24 VAC Heater/blower – 96 W @ 24 VAC
Mechanical	
Dimensions	15.85" H x 12.29" Dia Lower Dome: 9.50" Dia
Weight	15 lbs. (6.8 kg) (includes scan)
Construction	Housing Inner: Aluminum Outer: Reflective acrylic Lower Dome: Optical grade acrylic Finish Outer: White Lower Dome: Clear or smoke
Environmental	
Operating Temperature	-50°F to 122°F (-45°C to 50°C)
Regulatory	
Emissions	FCC: Part 15 Class A CE: EN50081-1
Immunity	CE: EN50082-1



HD6 Weather

www.honeywellvideo.com

SPECIFICATIONS

Operational	
Dome Scan	
HDSA00N1	Scan 18X NTSC
HDSA00P1	Scan 18X PAL
HDSB00N1	Scan 18X TDN NTSC
HDSB00P1	Scan 18X TDN PAL
HDSC00N1	Scan 23X WDR & TDN NTSC
HDSC00P1	Scan 23X WDR & TDN PAL
HDSG00N1	Scan 35X WDR/TDN w/EIS, 540 TVL, NTSC
HDSG00P1	Scan 35X WDR/TDN w/EIS, 530 TVL, PAL
Dome Housing (Standard RS485 Interface Board*)	
HDTOW000	Weather
Lower Dome	
HDB0W200	Smoke
HDB0W400	Clear
Accessories	
Indoor/Outdoor Mounts	
MDW1210W	Wall mount
DWM19S	Extreme condition wall mount
DPM15	Pendant mount
PRM100B	Parapet roof mount, black
PRM100W	Parapet roof mount, white

Accessories (con't)	
Mount Adapters	
CMA18B	Corner mount adapter for MDW1210W, black
CMA18W	Corner mount adapter for MDW1210W, white
CMA18BS	Corner mount adapter for DWM19S
PMA7W	Pole mount adapter for MDW1210W
PMA18B	Pole mount adapter for DWM19S, black
PMA18W	Pole mount adapter for DWM19S, white
PMA18BS	Pole mount adapter for DWM19S
Fixed Camera Bracket	
KDF00M0000	Fixed mounting bracket converts any HD6 into a fixed camera. This fixed bracket allows PTZ and fixed camera to be easily interchanged
Compatible Devices	
HJZTP	PTZ Dome and DVR or Mux Telemetry Controller
HEGS5000	Standalone joystick for HD6 and KSX32080 matrix switcher
HDCC8TP	Code distribution unit, RS232 to RS485 converter
Power Supplies	
HPTV2401WPZ	24 VAC, 8 A with surge protection for power, video and data, NEMA 4X enclosure
HPV2401WPS	24 VAC, 8 A with surge protection for power and video, NEMA 4X enclosure
HPTV2401Z	24 VAC, 8 A with surge protection for power, video and data, indoor enclosure
HPTV2401S	24 VAC, 8 A with surge protection for power and video, indoor enclosure

Ordering	
<p>HOW TO ORDER</p> <p>Example: HD6BW1N1 = 18XTDN/Smoke/NTSC/RS485</p>	<p>HD6 B W 1 N 1</p> <p>Series — HD6</p> <p>Camera — B</p> <p>Weather (includes heater/blower) — W</p> <p>Lower Dome — 1</p> <p>Format — N N = NTSC P = PAL</p> <p>Interface — 1 1 = Coax/RS485 4 = CAT5</p> <p>A = 18X Color B = 18X TDN C = 23X WDR & TDN G = 35X WDR & TDN w/EIS</p>

Honeywell Security
Honeywell Video Systems
2700 Blankenbaker Pkwy, Suite 150
Louisville, KY 40299
1.800.796.CCTV
www.honeywell.com

L/HD6WEATH/D
February 2008
© 2008 Honeywell International Inc.