

# LTC 0809 Series AutoDome<sup>®</sup> System Integral Color Camera, Pan/Tilt, and Receiver/Driver Systems

- Integral Camera, Pan/Tilt, Receiver/Driver System in 150-mm (6-in) Dome
- 1/3-inch High Resolution Color DSP Imager
- 100:1 Zoom Capability  
16 x Optical  
6.25 x Digital Electronic
- Variable High Speed 360° Pan/Tilt
- Remote Camera Setup
- AutoPivot™ Feature
- Programmable On-Screen Sector Titles & Preset Titles



The LTC 0809 Series AutoDome<sup>®</sup> are compact, lightweight, and discreet surveillance dome systems containing a high performance 1/3-inch color CCD camera with a 16:1 auto-iris, auto-focus zoom lens. Additional zoom power is provided with a 6.25 x digital electronic zoom giving the operator a 100:1 zoom range capability. They are available in suspended ceiling and pendant mount models. Pendant mount models are available for indoor or outdoor applications.

The integral high speed pan/tilt provides 360° of continuous panning and variable speed operation allows accurate, high speed camera positioning. To increase control accuracy during zooming, the maximum positioning speed is automatically scaled down based on the zoom setting.

The built-in receiver/driver provides excellent operator feedback with on-screen alpha-numeric displays during the LTC 0809 unit's programming and manual control. Additional feedback

can be seen with 16 individual sector titles and the individual titles for all 99 pre-positions. Each title can accept a 16 character programmable title.

With the Auto Playback feature, the AutoDome system is placed into a program mode where it can be controlled for up to three minutes. Any of the AutoDome system's controllable functions can be operated during this program mode - pan, tilt, zoom, pre-position, camera setups, etc. The series of functions are stored in nonvolatile memory within the dome itself. When the Playback mode is activated, the AutoDome system will duplicate the exact action in the same order and timing as programmed by the operator. The Playback mode can be selected to operate one time or set to continuously repeat.

The LTC 0809 was designed with "ease of operation" in mind. A unique AutoPivot™ feature automatically rotates the camera to simplify tracking of a person who walks directly under the dome. Keyboard programmable

limit stops allow the dome to auto-pan between two electronically set limits. Phase adjustable line-lock delay, AGC, backlight compensation, and numerous other options can also be set and adjusted remotely from the system keyboard.

These AutoDome system features are accessible using the Allegiant<sup>®</sup> series switcher/control systems or the LTC 5136 Series controllers.

All camera, lens, pan/tilt, and receiver/driver internal connections are prewired at the factory to reduce the installation time. The camera, lens, and pan/tilt module may be easily removed from the domed enclosure to simplify service or relocation. They are easily mounted in suspended ceilings, hard ceilings, or pendant mounts and are also suitable for air handling plenums. These systems are ideal for retail, casinos, museums, malls, and bank or hotel lobbies; outdoor system applications include parking lots, airports, prison yards, and highways.

## SYSTEM

The AutoDome system is comprised of a camera/lens module, a backbox/power supply module, and a dome module.

## Electrical

### Connectors:

Video Out: BNC.  
Data: Terminal block.  
Power: Terminal block.

## Mechanical

**Cable Entry:** Through backbox module.

### Mounting:

Suspended/Hard Ceiling Mount Models: Mounts in hard ceiling, drywall ceiling, or suspended ceiling. Includes suspension bars for use with a suspended ceiling. See **OPTIONS** for other mounting accessories.

Indoor Pendant Mount Models: Includes a ceiling mount bracket. See **OPTIONS** for other mounting accessories.

Outdoor Pendant Mount Models: See **OPTIONS** for other mounting accessories.

**Construction/Finish:** Acrylic dome on metal housing.

**Dimensions:** See **DIMENSIONAL OUTLINES**.

### Weight:

Suspended/Hard Ceiling Mount Models: 10 kg (22 lb).  
All Other Models: Approximately 8.6 kg (19 lb).

## Environmental

### Temperature:

Indoor Models:

Operating: -10 °C to +50 °C (+14 °F to +122 °F).

Outdoor Models:

Operating<sup>1</sup>: -30 °C to +50 °C (-22 °F to +122 °F).

All Models:

Storage: -20 °C to +50 °C (-4 °F to +122 °F).

1. Operating low temperature is -40 °C (-40 °F) with optional low temperature kit; see **OPTIONS**.

**Humidity:** 0% to 90% relative, noncondensing.

## Electromagnetic Compatibility

**EMC Requirements:** CE Immunity, CE Emission Class A, FCC Class A.

**Safety:** CE, UL, cUL.

## CAMERA MODULE

Camera Module includes 1/3-inch color camera with covert inner liner, f/1.2, 16 x auto-iris zoom lens with auto-focus, pan/tilt, and receiver/driver.

Model No.	Color System	Lens	Receiver
LTC 0809/10	PAL B	4.5 to 72 mm	Allegiant biphase
LTC 0809/20	NTSC	4.5 to 72 mm	Allegiant biphase

## Electrical

Imager: Interline transfer CCD; 1/3-inch image format.

Active Picture Elements:

PAL Models: 752 H x 697 V.

NTSC Models: 752 H x 582 V.

**Horizontal Resolution (Typical):** 425 TVL.

**Sensitivity (3200 K):**

		Usable Picture	Full Video
Scene illumination <sup>1</sup>	fc	0.1	0.5
	lx	1	5

1. With clear dome and an f/1.2 lens, 75% highlight reflectance.

**Zoom Range:** 100 x.

Optical: 16 x (4.5 mm to 72 mm), f/1.2.

Digital: 6.25 x.

**Signal-to-Noise (AGC off):** Unified weighting filter per CCIR Recommendation 567.

44 dB minimum, 46 dB typical.

**AGC:** 30 dB maximum gain.

**Light Range (AGC on):** 50,000:1 minimum.

**Video Output:** 1.0 Vp-p, 75 ohm.

**Aperture Correction:** Horizontal and vertical.

### Synchronization:

Line-Lock: Synchronizes camera to power line zero crossing for roll-free vertical interval switching. Vertical phase delay can be remotely adjusted to allow vertical synchronization in multiphase power installations.

Crystal-Lock: Internal crystal reference.

### Pan/Tilt:

Pan Range: 0° to 360° continuous.

Tilt Range: 0° to 90° from horizontal plane.

Pan/Tilt Speeds:

Manual Mode:

Proportional variable to 120°/s<sup>1</sup>.

Ramp-up variable to 120°/s (for fixed speed systems).

Pre-position Seek Mode: 360°/s (applies to pan only).

Pre-positions: 99 with accuracy of ± 0.5°<sup>2</sup>.

1. Requires Allegiant series switcher/control systems or LTC 5136 Series Controller.

2. LTC 5135 Series controller/followers provide two pre-positions.

**Programmable Controls:** Remote setup and adjust via the control system keyboard.

AGC: On/Off.

Sync Mode: Internal crystal reference or line-lock.

Phase Adjust: 0° to 359°.

Lens: Zoom, auto-/manual focus, auto-/manual iris, iris ALC, iris level.

Auto-Pan Speed.

Auto-Pan Limits.

Pre-position Tour Dwell Time.

Playback Programming and Editing.

Backlight Compensation: On/Off.

Auto White Balance: On/Off (3200 K to 5500 K).

Programmable modes and fixed white balance.

Color adjust.

On-screen display programming and editing.

Auto-pivot: On/Off.

Return home.

## BACKBOX MODULE

All models include a base bracket for mounting and an isolated power supply.

### LTC 7460 Series - Suspended/Hard Ceiling Mount

Model No.	Rated Voltage	Voltage Range	Power at Rated Voltage
LTC 7460/50	230 VAC, 50 Hz	195.5 to 253	15 W
LTC 7460/60	120 VAC, 60 Hz	105 to 132	15 W
LTC 7460/20	24 VAC, 50/60 Hz	21 to 28	15 W

### LTC 7471 Series - Indoor Pendant Mount

Model No.	Rated Voltage	Voltage Range	Power at Rated Voltage
LTC 7471/50	230 VAC, 50 Hz	195.5 to 253	15 W
LTC 7471/60	120 VAC, 60 Hz	105 to 132	15 W
LTC 7471/20	24 VAC, 50/60 Hz	21 to 28	15 W

### LTC 7473 Series - Outdoor Pendant Mount

Model No.	Rated Voltage	Voltage Range	Power at Rated Voltage
LTC 7473/50	230 VAC, 50 Hz	195.5 to 253	65 W
LTC 7473/60	120 VAC, 60 Hz	105 to 132	65 W
LTC 7473/20	24 VAC, 50/60 Hz	21 to 28	65 W

1. Optional ceiling mount bracket available.
2. System power is at rated voltage with included heater/blower. An optional low temperature kit, that requires an additional 50 W, is available; see **OPTIONS**.

## DOME MODULE

### LTC 7460/00 Series - Suspended/Hard Ceiling Capsule

Model No.	Capsule Finish	f/ Stop Loss
LTC 7461/00	Light Tint	0.5 to 1.0
LTC 7461/02	Dark Tint	1.0 to 1.5
LTC 7462/00	Clear	No Loss
LTC 7463/00	Chrome (Mirror)	1.75 to 2.25
LTC 7464/00	Gold (Bronze)	1.75 to 2.25

### TC7400 Series - Indoor/Outdoor Pendant Capsules

Model No.	Capsule Finish	f/ Stop Loss
TC7401-20	Light Tint	0.5 to 1.0
TC7401-22	Dark Tint	1.0 to 1.5
TC7402-20	Clear	No Loss
TC7403-20	Chrome (Mirror)	1.75 to 2.25
TC7404-20	Gold (Bronze)	1.75 to 2.25

## OPTIONS

**TC7440MB Ceiling Mount Bracket:** For LTC 7471 Series and LTC 7473 Series models.

**TC7440WM All Weather Curved Mount/Wall Bracket:** For LTC 7471 Series and LTC 7473 Series models. Allows direct mounting to flat wall or mates directly to LTC 9226/00 corner or LTC 9225/00 pole mount brackets.

**TC7440LT Series Low Temperature Kits:** For LTC 7473 Series models. Allows operation to -40 °C (-40 °F).

TC7440LT-1: For use with LTC 7473/50 and LTC 7473/60 backbox modules. Operates at 120 V or 220 V, 50/60 Hz.

TC7440LT-2: For use with LTC 7473/20 backbox module. Operates at 24 V, 50/60 Hz.

**TC7440PA:** All weather curved mount and adapter plate for LTC 7471 Series and LTC 7473 Series models. Allows direct mounting to the following accessories:<sup>1</sup>

TC9315P Mounting Pole.

TC9315SRM Corner Mount Bracket With Pivoting Pole.

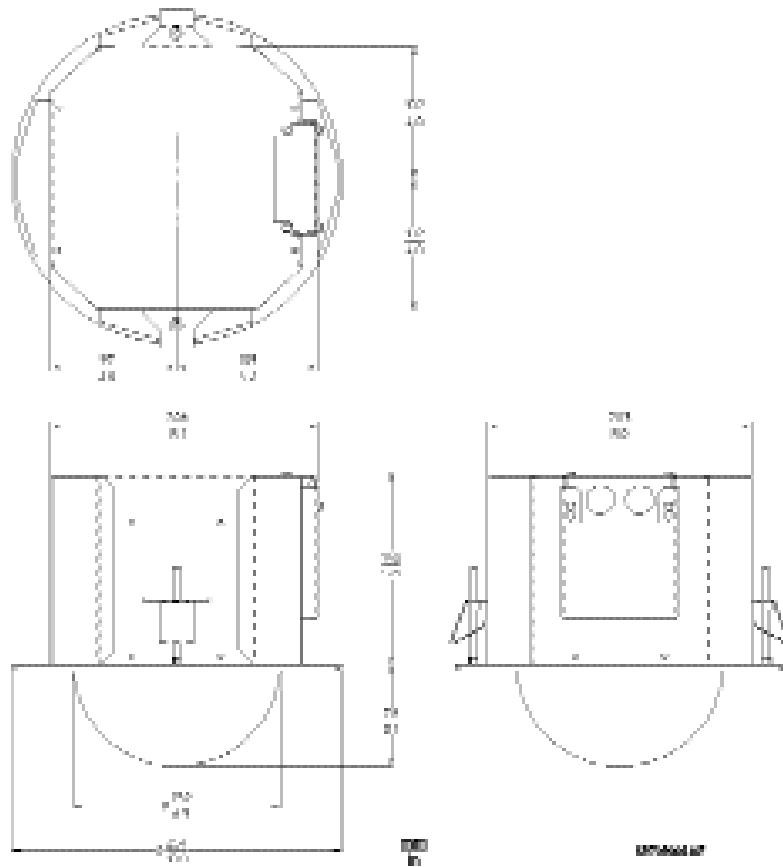
TC9316PRM Parapet Roof Mount Bracket With Pivoting Pole.

TC9311PM3 Pole Mount Adapter.

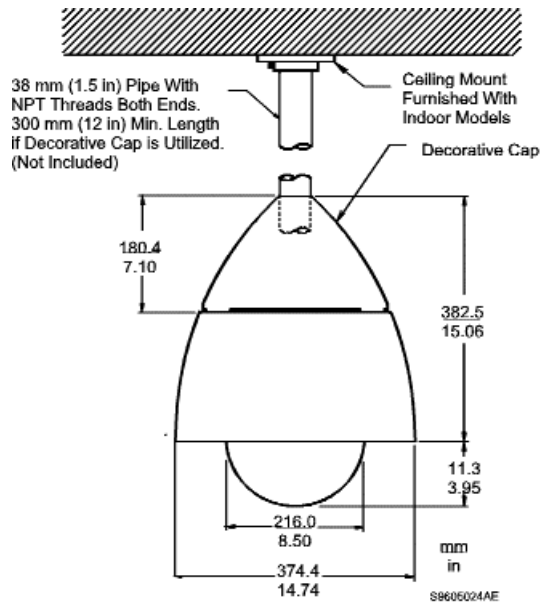
TC9311CA2 Corner Mount Bracket.

TC9311PA2 Parapet Roof Mount.

1. Refer to separate data sheet **Accessories for Domed Housings** for complete specifications.



Suspended/Hard Ceiling Models



Indoor and Outdoor Pendant Mount Models



**PHILIPS**

*Let's make things better*