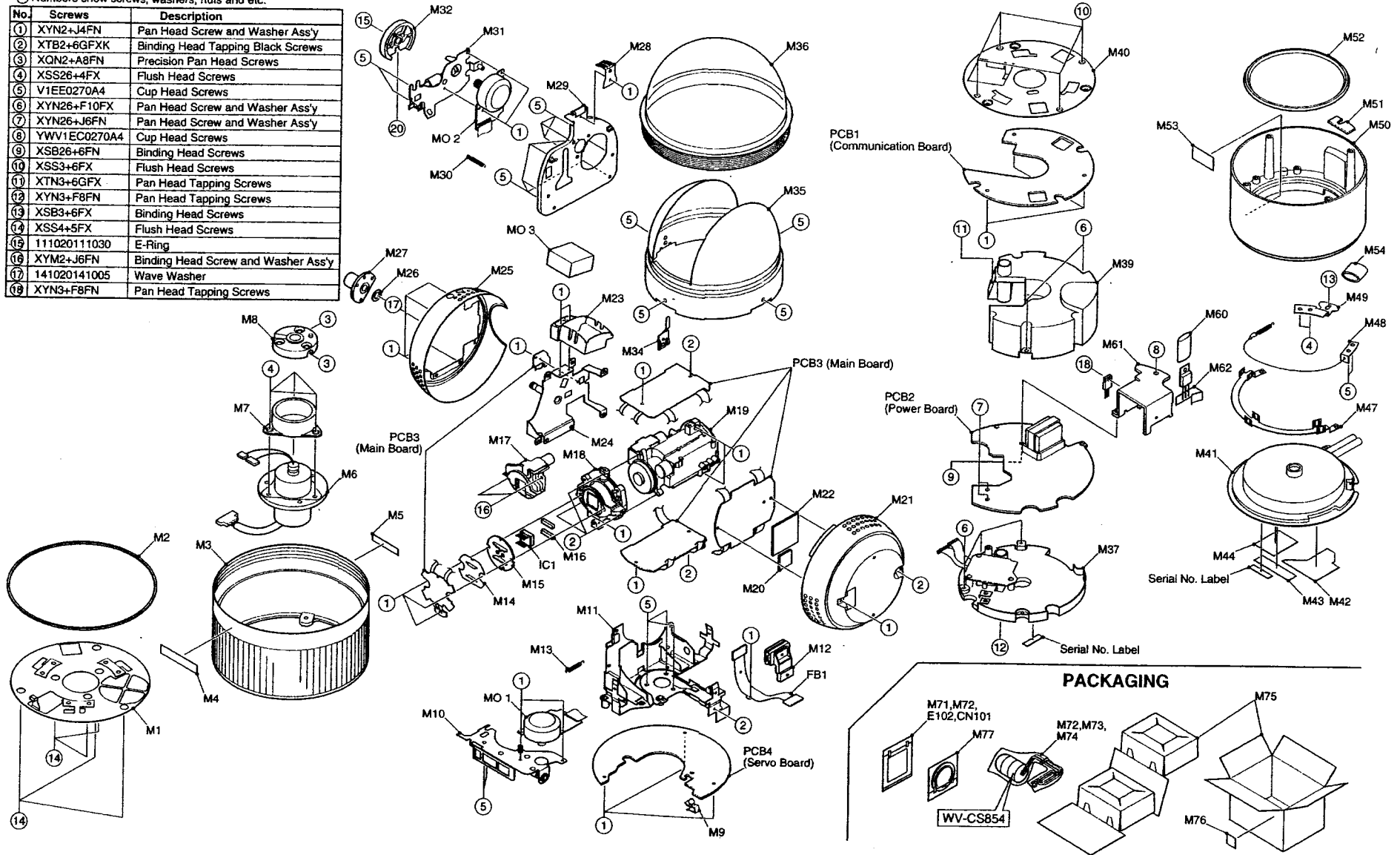


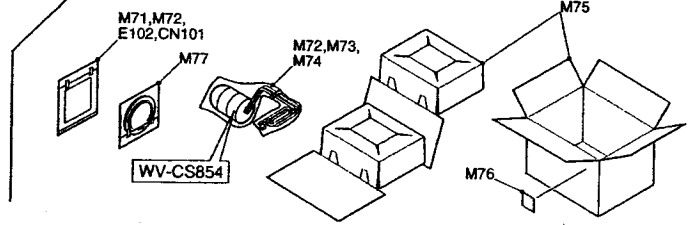
# EXPLODED VIEW

○ Numbers show screws, washers, nuts and etc.

No.	Screws	Description
①	XYN2+J4FN	Pan Head Screw and Washer Ass'y
②	XTB2+6GFXK	Binding Head Tapping Black Screws
③	XQN2+A8FN	Precision Pan Head Screws
④	XSS26+4FX	Flush Head Screws
⑤	V1EE0270A4	Cup Head Screws
⑥	XYN26+F10FX	Pan Head Screw and Washer Ass'y
⑦	XYN26+J6FN	Pan Head Screw and Washer Ass'y
⑧	YWV1EC0270A4	Cup Head Screws
⑨	XSB26+6FN	Binding Head Screws
⑩	XSS3+6FX	Flush Head Screws
⑪	XTN3+6GFX	Pan Head Tapping Screws
⑫	XYN3+F8FN	Pan Head Tapping Screws
⑬	XSB3+6FX	Binding Head Screws
⑭	XSS4+5FX	Flush Head Screws
⑮	111020111030	E-Ring
⑯	XYM2+J6FN	Binding Head Screw and Washer Ass'y
⑰	141020141005	Wave Washer
⑱	XYN3+F8FN	Pan Head Tapping Screws



## PACKAGING



# REPLACEMENT PARTS LIST

## Important Notice

- Components identified by "  $\Delta$  " mark have special characteristics important for safety.  
When replacing any of these components, use only manufacturer's specified parts.
- RTL : Retention Time Limited (No longer available after discontinuing product).

REF. NO.	PART NO.	DESCRIPTION	REF. NO.	PART NO.	DESCRIPTION
<b>MISCELLANEOUS</b>			M43	V7QA5439A4	Caution Label
			M44	$\Delta$ V7QA5437A4	Main Label
			M47	V4JA1127A3	Spring
			M48	V5YA0514BN	Fall Prevention Wire
			M49	V2KA1279A3	Chassis
			M50	V5KA2279B1	Case
			M51	V7DA1128A4	Heat Sink
			M52	V2VA0510A4	Barrier
			M53	$\Delta$ V7MA1099A4	Fuse Label
			M54	V5EA2452A4	Cover
IC1	MN39341FT	CCD Image Sensor	<b>COMMUNICATION BOARD</b>		
FB1	VCS85PKZ1A	Flexible Board	PCB1 (RTL)	VCS85JKY1A	Printed Circuit Board Assy
E101	CS850J1	Internal Wire	IC1	C0JBAM000051	IC
MO 1	V0EA1269AN	Pan Motor Ass'y	IC3	C0JBAC000158	IC
MO 2	V0EA1270AN	Tilt Motor Ass'y	IC6	YWNJM062VTE1	IC
MO 3	L6FAGA9H0002	DC Motor	IC7	C0JBAQ000088	IC
M1	V0EA1273AN	Support Plate Ass'y	IC8	C0JAAS000027	IC
M2	V2VA0508A4	Barrier	IC9	YWNJM2901VT1	IC
M3	V5KA2280A2	Case	IC10	C0JBAB000247	IC
M4	V7SA4109A4	Super Dynamic Label	IC11	C0JBAJ000012	IC
M5	V7SD3739A4	Panasonic Label	IC12	C0JBAQ000088	IC
M6	FLRSS001A	Slip Ring Ass'y	IC14	YWTC7SH00FUL	IC
M7	V4EA0521A3	Gear	IC301	C0ZBZ0000023	IC
M8	V2TA1064D3	Mounting Bracket	IC302,303	C0ZBZ0000024	IC
M9	YMC05H0	Cord Clamp	IC304	B3PBZ0000003	IC
M10	KU0402B	Pan Gear Ass'y	IC306,307	YW78L05UATE2	IC
M11	V9AA2740B2	Main Frame Ass'y	IC308,309	C0JBAB000247	IC
M12	YWV2GA1038B3	Cord Clamp	IC310	C0CBAHC00004	IC
M13	V4JA1120A4	Spring	IC311	HD14049UBFP	IC
M14	YWV2PA1103A4	Insulator	IC312	C0ABBA000063	IC
M15	YWV2TA1031A4	CCD Mounting Plate	IC313	C0JBAS000054	IC
M16	V7DA1140A4	Heat Sink	IC314	C0ABBA000063	IC
M17	EC508B	Optical Filter	Q1,2	B1BGGFJJ0001	Transistor
M18	V2TA1063C1	Mounting Bracket	Q3	2SD601-QR	Transistor
M19	CC328A	Lens	Q4-7	B1BBAB000016	Transistor
M20	V7DA1124A4	Heat Sink	Q8	2SC4617TLS	Transistor
M21	YWV5EA2399B2	Cover			
M22	V7DA1123A4	Heat Sink			
M23	V7EA0503B2	Mounting Angle for Fan			
M24	V9AA2716C3	Frame Ass'y			
M25	YWV5EA2398B2	Cover			
M26	V2TA1066A4	Mounting Bracket			
M27	V9AA2746A3	Tilt Baring Ass'y			
M28	V4JA1125C3	Spring			
M29	V0EA1274AN	Tilt Chassis Ass'y			
M30	V4JA1124A4	Spring			
M31	KU0401	Tilt Gear Ass'y			
M32	V9AA2736B4	Tilt Gear Ass'y			
M34	V4JA1126A4	Spring			
M35	YWV5EA2400A2	Cover			
M36	V9AA2735B4	Dome Cover			
M37	MSS20246	Base Unit			
M39	V5EA2402C2	Insulation Cover			
M40	V2KA1278C1	Power Bottom Plate			
M41	MSS0245XP	Camera Mounting Base Unit			
M42	$\Delta$ V7QA5438A4	Safety Label			