

Mechanical Components

Safety sensitive devices are indicated by an  preceding the part symbol

SYMBOL	PART NO.	DESCRIPTION	T C 7 5 0 - 4 - 2	T C 7 5 0 X - 4 - 2	T C 7 5 0 - 6 - 2	T C 7 5 0 X - 6 - 2
200	303 2320 005	ASYCA B&W CCD/NTS Zm	1	1	1	1
300	303 2346 473	FSSCW M2x0.6x3.5 PPM	2	2	2	2
500	303 2315 002	HOFRM EndCameraMt	2	2	2	2
510	302 3326 413	FSSCW 4-40X1/4 PPF	4	4	4	4
610	303 2318 075	CBLFX 10c 75mm SS	1	1	1	1
620	303 2160 050	CBLFX FFC 50mm OS	1	1	1	1
630	303 2358 165	CBLFX 20c165mmSS BLK	1	1	1	1
100	303 2160 165	CBLFX 20c165mm SS	1	1	1	1
150	303 1188 501	ASYML GNDSPNG-2F CUT	4	4	4	4
200	303 2903 015	MEINS Cam Insul	1	1	1	1
300	303 2317 007	HOSHD CamTop DOME	1	1	1	1
400	303 2317 008	HOSHD CamBot DOME	1	1	1	1
500	303 2308 001	MECLP StrRelief	1	1	1	1
600	303 2314 001	MEPLT MtWideConv LEN	1	1	1	1
610	302 3326 413	FSSCW 4-40X1/4 PPF	2	2	1	1
620	303 2321 001	ACLEN 0.7xWAgCnv37mm	1	1	1	1
200	PCB 770 102	ASYML R/D.RS232 ICT	1	1	1	1
100	ACI 770 102	ASYML R/D.RS232	1	1	1	1
100	RFL 770 102	ASYML R/D.RS232	1	1	0	0

TC7400 Series Dome Parts List

Safety sensitive devices are indicated by an  preceding the part symbol

PART NO.	DESCRIPTION	T	T	T	T
		C	C	C	C
		7	7	7	7
		4	4	4	4
		0	0	0	0
		1	2	3	4
HC7401	ASYPH Dome Tinted	1	0	0	0
HC7402	ASYPH Dome Clear	0	1	0	0
HC7403	ASYPH Dome Chrome	0	0	1	0
HC7404	ASYPH Dome Gold	0	0	0	1
303 2352 001	MECLP STRAP 6.25"	1	1	1	1
302 3326 433	FSSCW 6-32 x 1/4	1	1	1	1
302 4450 001	FSWSR Flat 0.144" ID	1	1	1	1
303 2328 001	MESPC Ball Stud	1	1	1	1
303 2327 001	HOCOV Trim Ring/BGE	1	1	1	1
303 2327 001	HOCOV Wndw/Grey	1	0	0	0
303 2327 002	HOCOV Wndw/Clear	0	1	0	0
303 2327 003	HOCOV Wndw/Chrome	0	0	1	0
303 2327 004	HOCOV Wndw/Gold	0	0	0	1
303 2328 001	MESPC Ball Stud	4	4	4	4

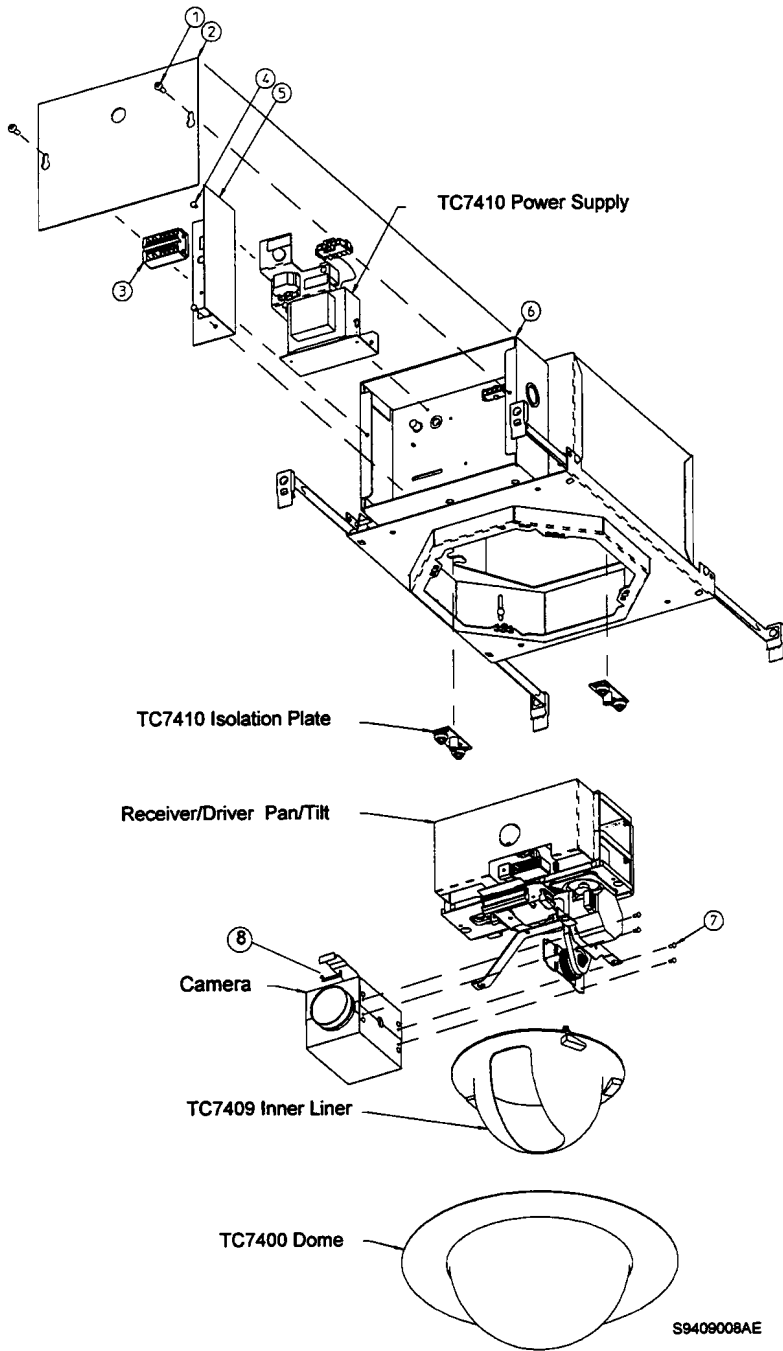
TC7409 Inner Liner Parts List

Safety sensitive devices are indicated by an  preceding the part symbol

PART NO.	DESCRIPTION	T	T	T	T
		C	C	C	C
		7	7	7	7
		4	4	4	4
		0	0	0	0
		1	2	3	4
303 2339 001	HOCOV Liner, Inner	1	1	1	1
TC700-IB	PKMNL Dome Ref	1	1	1	1

Exploded Views

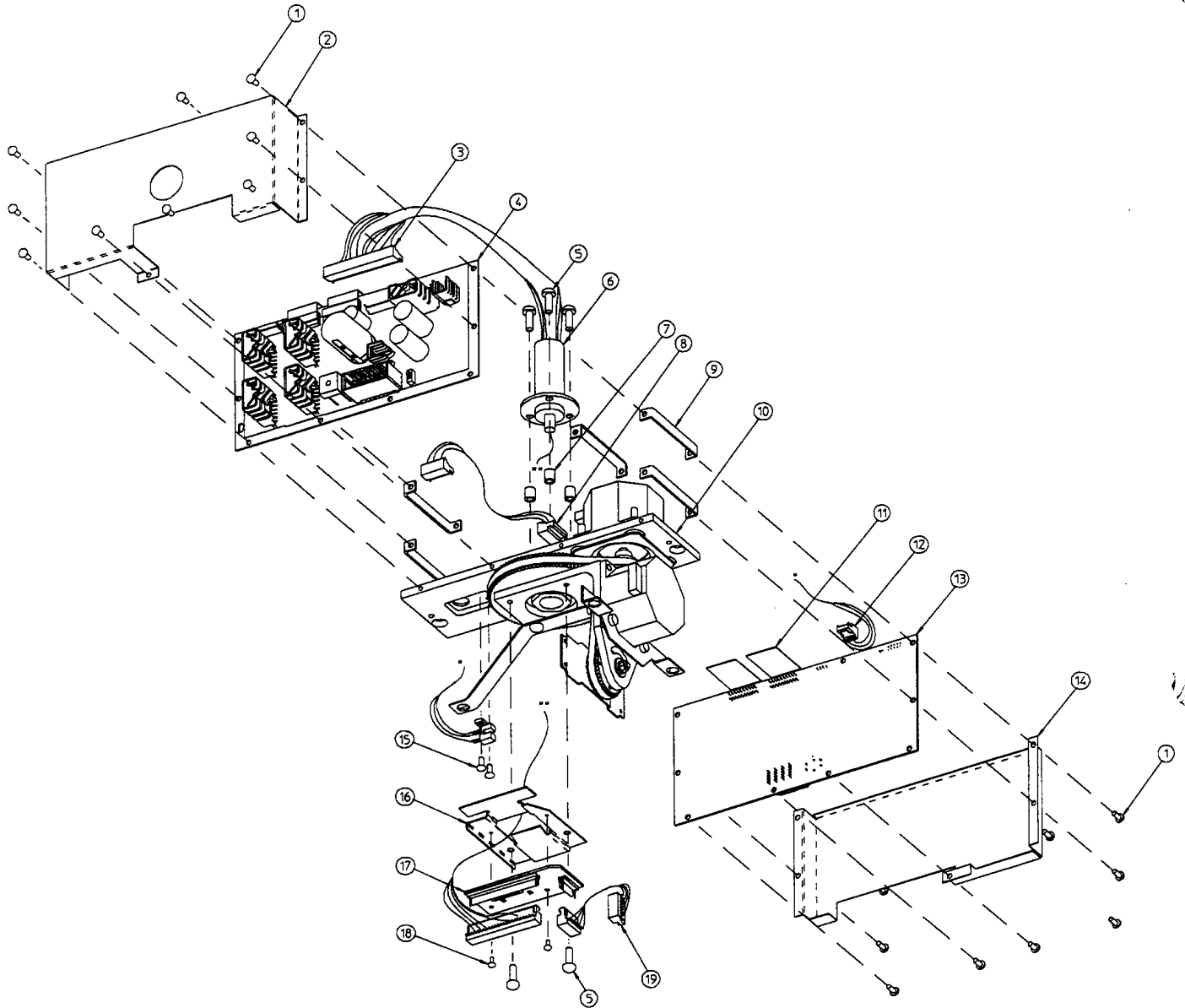
Camera, Pan/Tilt, Receiver/Driver Module In TC7410 Series Ceiling Mount Back Box



S9409008AE

- | | |
|--------------------|-----------------------|
| 1. Screw | 5. Signal Bracket |
| 2. Cover Plate | 6. Backbox |
| 3. Signal Terminal | 7. Screw |
| 4. Screw | 8. Strain Relief Clip |

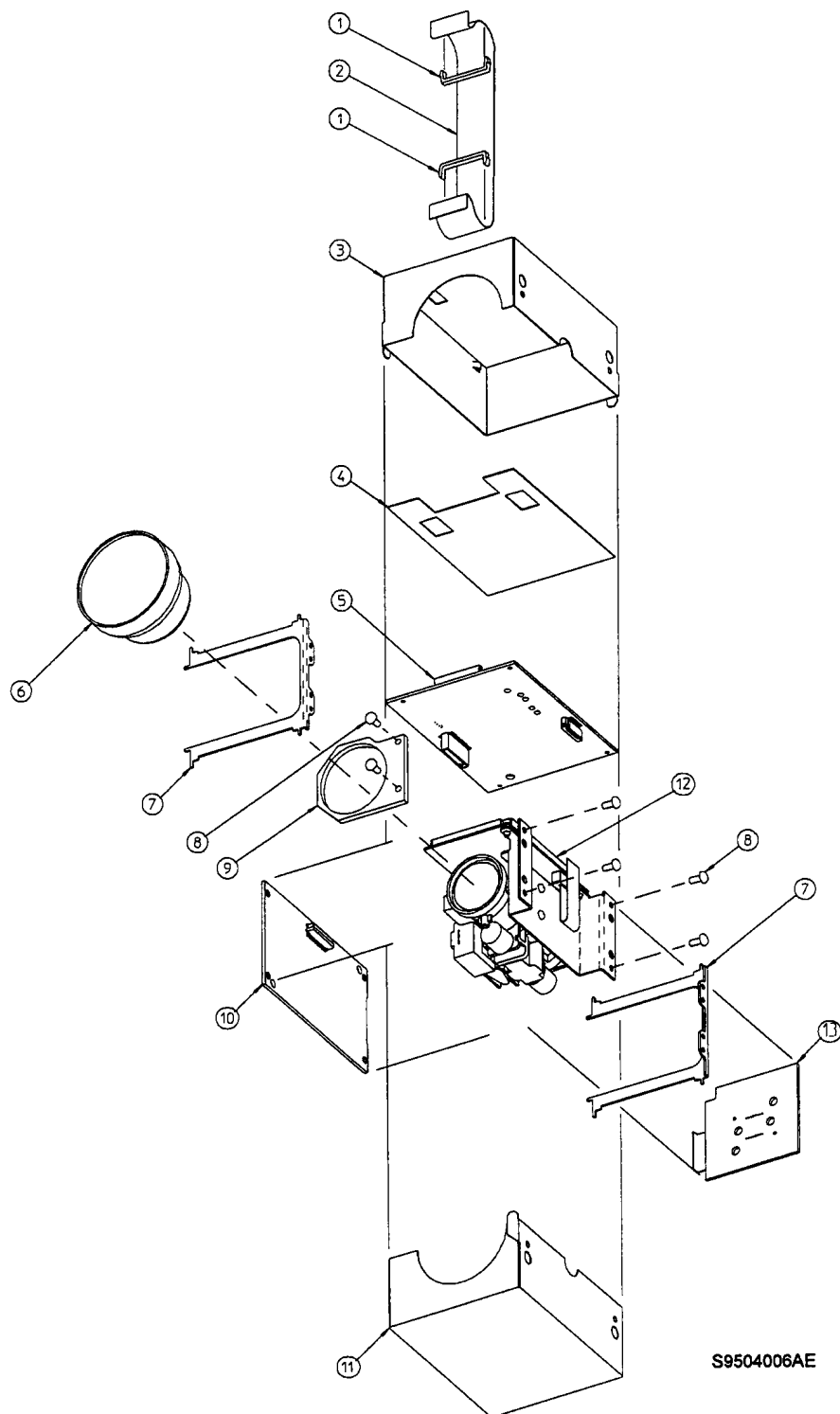
Receiver/Driver & Pan/Tilt Subassembly



S9409011AE

- | | | |
|------------------------|--------------------------|---------------------------|
| 1. Screw | 7. Standoff | 13. Controller PCB |
| 2. Deep Shield | 8. Pan Motor Harness | 14. Shallow Shield |
| 3. Slip Ring Connector | 9. Standoff | 15. Screw |
| 4. Driver PCB | 10. Pan/Tilt Subassembly | 16. Interface PCB Bracket |
| 5. Screw | 11. Flex Cable | 17. Interface PCB |
| 6. Slip Ring | 12. Sensor Harness | 18. Screw |
| | | 19. Tilt Motor Harness |

TC750 Camera



S9504006AE

- | | | |
|-----------------------|-----------------------|-----------------------|
| 1. Strain Relief Clip | 5. Top Camera PCB | 9. Plate |
| 2. Flex Cable | 6. Teleconverter Lens | 10. Side Camera PCB |
| 3. Top Shield | 7. End Frame | 11. Bottom Shield |
| 4. Insulator | 8. Screw | 12. Lens Sub Assembly |
| | | 13. CCD PC Board |

Mechanical Components

Safety sensitive devices are indicated by an  preceding the part symbol

DRAWING NO.	DESCRIPTION	T C 7 5 0 - 4 1	T C 7 5 0 X - - 1	T C 7 5 0 - 6 - 1	T C 7 5 0 X - 6 - 1
303 2366 001	ASYPH P&T Mechanism	1	1	1	1
315 2282 001	HOME C P&T wMot&Blt	1	1	1	1
303 1474 001	CBLAS SlipRng 24C/Con	1	1	1	1
315 2227 001	MESPC 0.336"SlipRng	3	3	3	3
315 2311 806	FSSCW M5-0.8x16B PPM	3	3	3	3
303 2312 001	MEBKT ContrPCB-Mt	1	1	1	1
315 2311 801	FSWSR LOCK M5Int ZPS	2	2	2	2
NOTUSED	xxPTS PartNotUsed x	0	0	0	0
315 2311 806	FSSCW M5-0.8x16B PPM	2	2	2	2
303 1481 101	ASYPR PhotoSensor	1	1	1	1
303 2363 413	FSSCW 4-24 x 1/4 PPF	2	2	2	2
303 2363 435	FSSCW 6-20 x 3/8 PPF	18	18	18	18
303 2362 001	MESPC 2.75"Formd CRS	5	5	5	5
303 2337 001	HOSHD DEEP ESD-PRT	1	1	1	1
303 2338 001	HOSHD SHALLW ESD-PRT	1	1	1	1
303 2295 103	CBLFX 20c103mm SS	2	2	2	2
303 1473 001	CBLAS 8W/3"/2Con HND	1	1	1	1
303 1473 002	CBLAS 8W/7.5"/2C HND	1	1	1	1
303 2363 413	FSSCW 4-24 x 1/4 PPF	2	2	2	2
303 2363 415	FSSCW 4-24 x 3/8 PPF	2	2	2	2
302 3326 413	FSSCW 4-40 x 1/4 PPF	4	4	4	4
303 2308 001	MECLP StrRelief	2	2	2	2
302 3311 003	MECLP CABLT 3.75"	1	1	1	1
303 2340 001	MEBKT SHROUD 2MtH	1	1	1	1
315 2311 806	FSSCW M5-0.8x16B PPM	2	2	2	2
315 2311 801	FSWSR LOCK M5Int ZPS	2	2	2	2
303 2340 002	MEBKT SHROUD 1MtH	1	1	1	1
303 2903 016	MEINS WIRE SHIELD	1	1	1	1
302 3311 003	MECLP CABLT 3.75"	2	2	2	2
TC700-IB	PKMNL DOME Reference	1	1	1	1

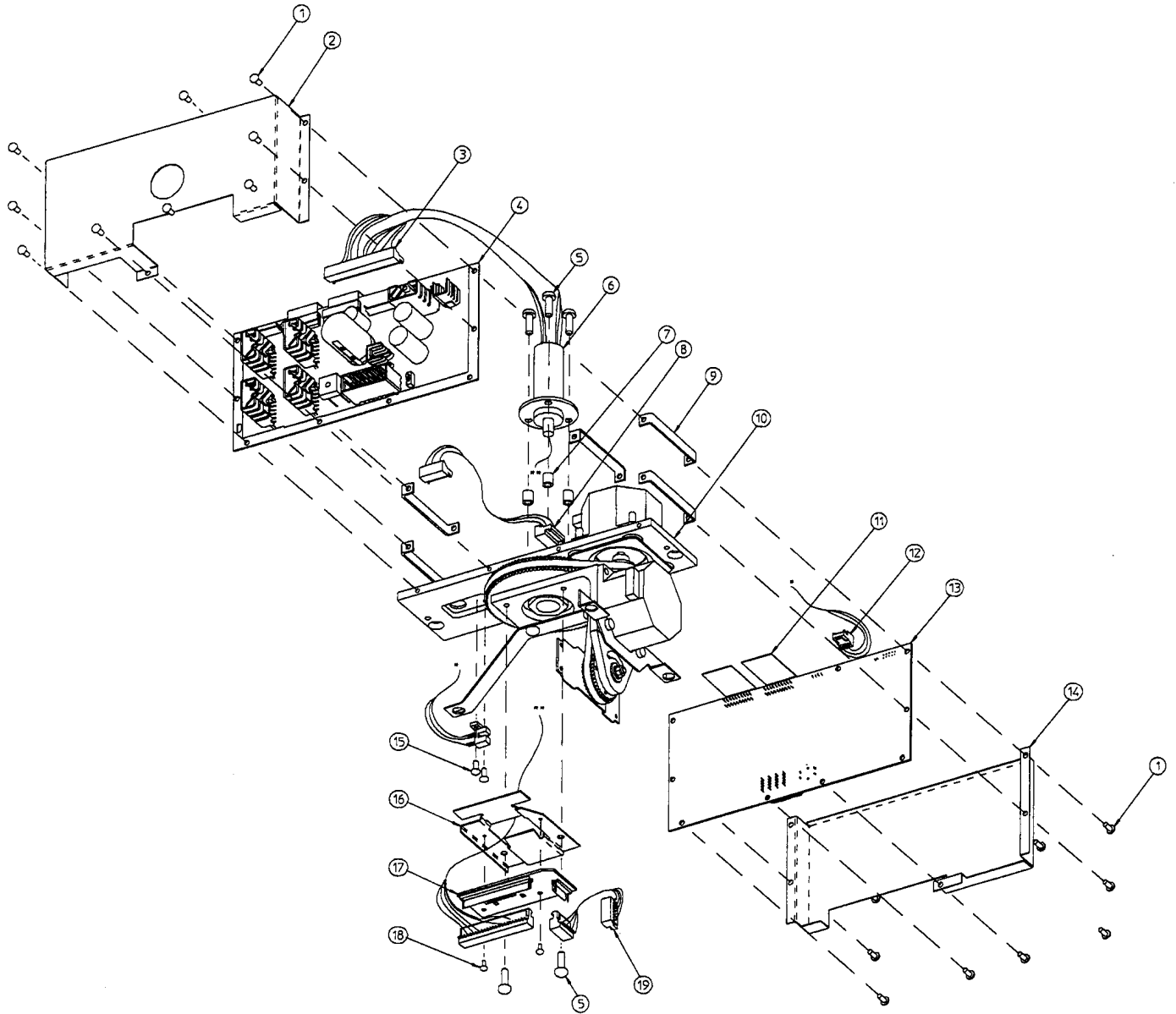
Parts List

Safety sensitive devices are indicated by an  preceding the part symbol

SYMBOL	DRAWING NUMBER	DESCRIPTION	
1	315 2311 820	M5 Slotted Nut	4
2	315 2311 801	M5 Lock Washer	14
3	315 2270 900	Pan Motor	1
4	315 2311 819	Pan Motor Washer	4
5	315 2210 901	Motor Pulley	2
6	315 2311 813	Retaining Ring	1
7	315 2311 809	M5 x 6 Set Screw	3
8	315 2243 001	Lock Collar	1
9	303 9417 006	Label	1
10	315 2266 900	Pan Belt	1
11	315 2206 001	Pan Spacer	1
12	315 2203 001	Pan Pulley	1
13	315 2208 900	Pan Bearing	1
14	315 2220 002	Pan Collar	1
15	315 2405 001	Pan Axis Shim	1
16	315 2202 001	Yoke	1
17	315 2267 900	Tilt Belt	1
18	315 2201 001	Tilt Pulley	1
19	315 2209 900	Tilt Bearing	1
20	303 2304 001	Camera Bracket	1
21	315 2311 805	M5 Flat Washer	1
22	315 2311 812	M6 Shoulder Screw	1
23	315 2311 815	M3 Lock Washer	4
24	315 2311 811	M3 x 8 Screw	4
25	303 2340 002	Shroud Bracket 2	1
26	315 2311 806	M5 x 16 Screw	4
27	315 2311 816	Roll Pin	1
28	315 2255 001	Tilt Eccentric	1
29	315 2311 804	M5 Flat Washer	1
30	315 2311 802	M5 Hex Nut	1
31	315 2271 900	Tilt Motor	1
32	303 2340 001	Shroud Bracket 1	1
33	315 2311 814	M5 x 12 Screw	5
34	315 2314 002	Tab	1
35	315 2311 818	M3 x 6 Screw	2
36	315 2318 001	Stud Plate Assy	1
37	315 2268 900	Vibration Damper	4
38	315 2244 002	Damper Spacer	4
39	315 2205 002	Fixed Plate	1
40	315 2368 001	Lock Bracket	1

Exploded Views

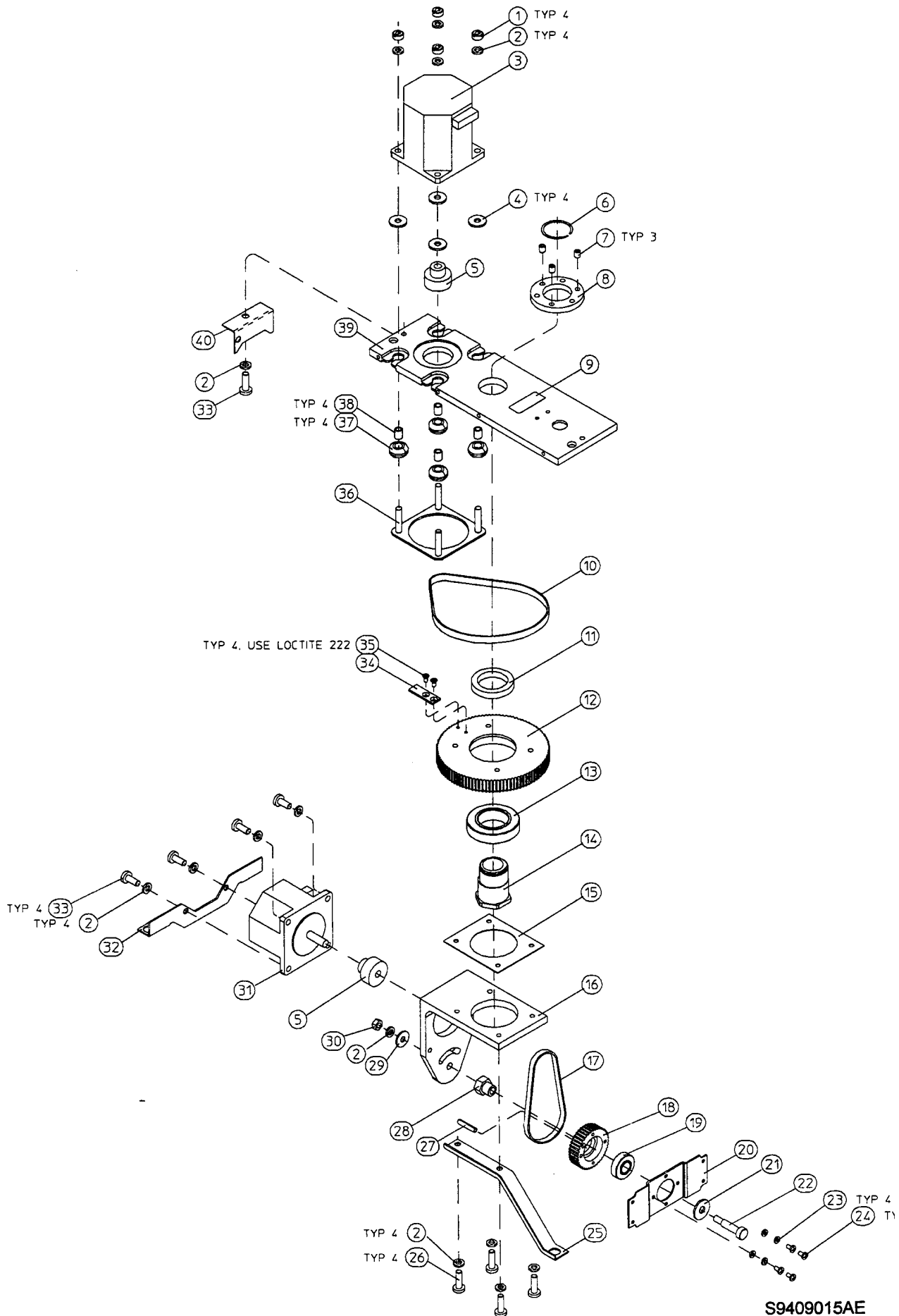
Receiver/Driver & Pan/Tilt Subassembly



S9409011AE

- | | | |
|------------------------|--------------------------|---------------------------|
| 1. Screw | 7. Standoff | 13. Controller PCB |
| 2. Deep Shield | 8. Pan Motor Harness | 14. Shallow Shield |
| 3. Slip Ring Connector | 9. Standoff | 15. Screw |
| 4. Driver PCB | 10. Pan/Tilt Subassembly | 16. Interface PCB Bracket |
| 5. Screw | 11. Flex Cable | 17. Interface PCB |
| 6. Slip Ring | 12. Sensor Harness | 18. Screw |
| | | 19. Tilt Motor Harness |

Pan/Tilt



S9409015AE