

9" Weather Dome

<u>Item</u>	<u>Part Number</u>	<u>Description</u>
1	518085-1040	9" Weather Dome Top with White Shroud for ¼-Turn Fasteners
3	518661-2030	Field Replacement, Potted Slip Ring with Mounting Plate/Cable Assembly for 9" Weather Dome with heater/blower option (12-conductor slip ring)
3	518661-3030	Field Replacement, Potted Slip Ring with Mounting Plate/Cable Assembly for 9" Weather Dome with or without blower option (6-conductor slip ring)

9" Pendant Top Drone Dome Mounting Plate/Cable Assembly

515492-5030 = 6-Conductor Slip Ring (Indoor Dome)

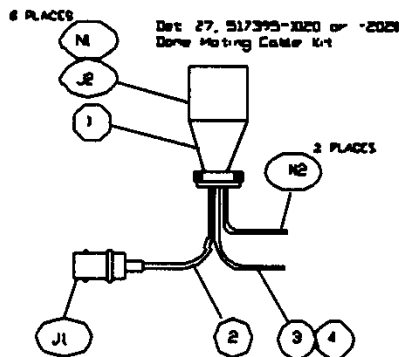
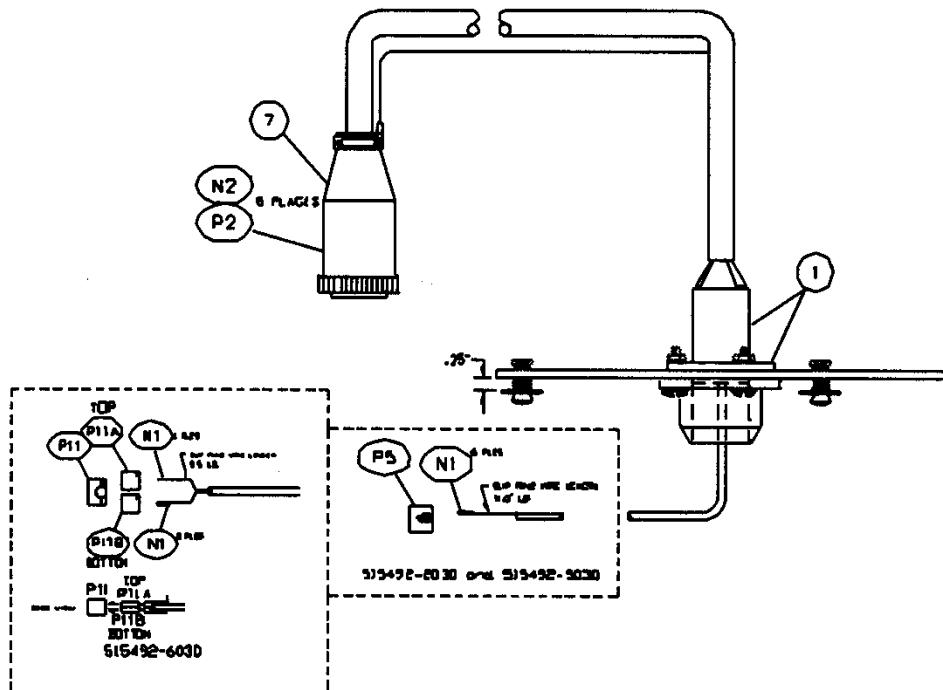
515492-6030 = 12-Conductor Slip Ring (Weather Dome), not shown

515492-8030 = 6-Conductor Slip Ring (Weather Dome), not shown

and

Dome Mating Cable Kit

Part Number 517395-1020 & 517395-2020



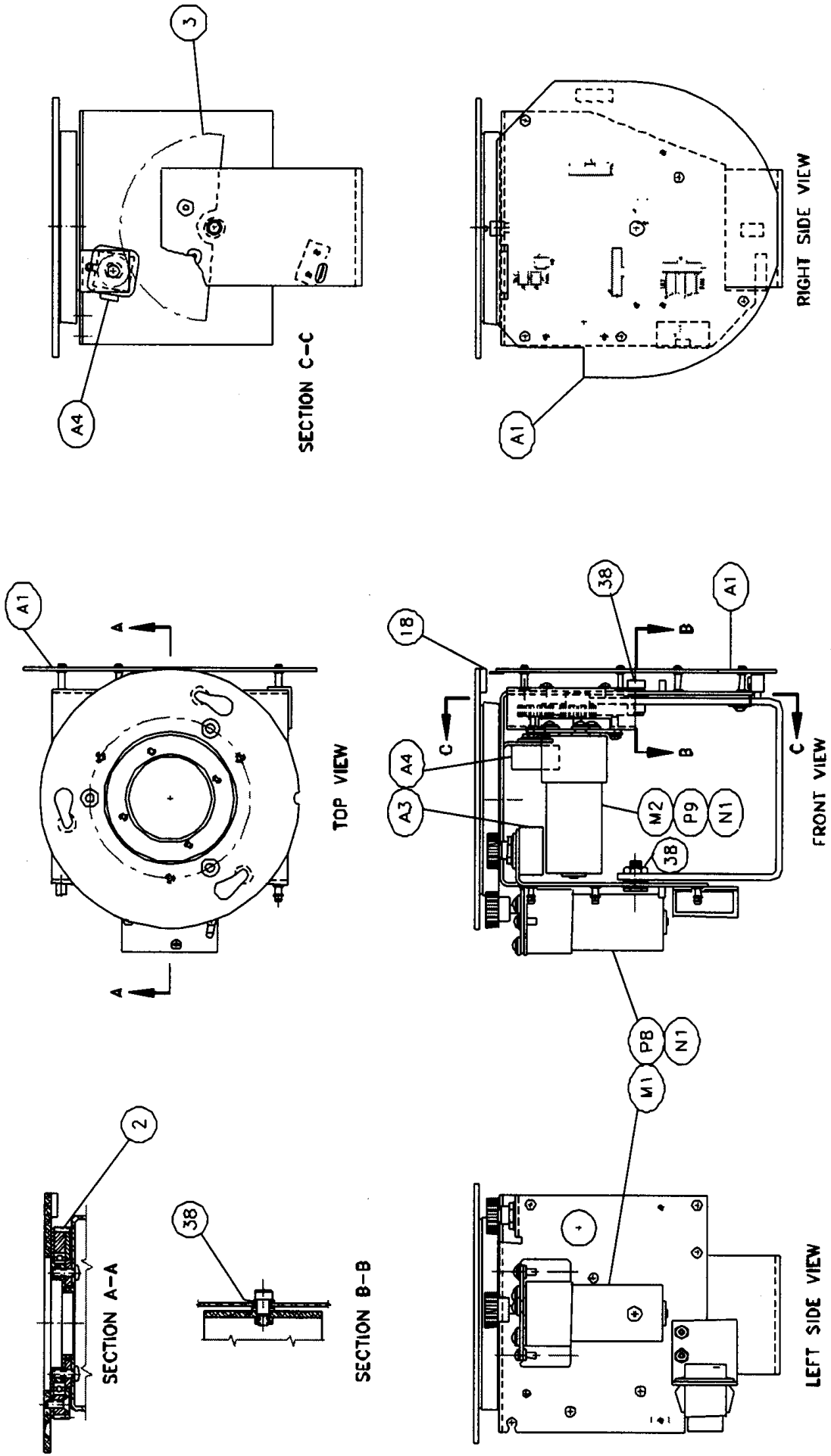
**Mounting Plate/Cable Assembly
Part Number 515492-5030 (Indoor)
Part Number 515492-8030 (Weather Dome without Heater)**

<u>Item</u>	<u>Part Number</u>	<u>Description</u>
1	842376-0373	Connector, Slip Ring, 6 Cond.
7	842376-0173	Connector, Clamp for CPC Shell, Size 17, Amp #206070-1
27	517395-1020	Dome Mating Cable Kit
N1	842376-0376	Connector, Contact, Socket #26-22 AWG
N2	842376-0381	Connector, Contact, Pin #26-30 AWG, Amp #66393-7
P2	842376-0262	Connector, Housing, 14-Pin, Amp #206044-1
P5	842374-0632	Connector, Housing, 6 Pos., Amp #104257-5

**Mounting Plate/Cable Assembly for Weather Domes
Part Number 515492-6030 (Weather Dome with Heater)**

<u>Item</u>	<u>Part Number</u>	<u>Description</u>
1	842376-0306	Connector, Slip Ring, 12 Cond.
7	842376-0173	Connector, Clamp for CPC Shell, Size 17, Amp #206070-1
27	517395-2020	Dome Mating Cable Kit
N1	842376-0413	Connector, Contact, Female Box Crimp #24-30 AWG
N2	842376-0381	Connector, Contact, Pin #26-30 AWG, Amp #66393-7
P2	842376-0262	Connector, Housing, 14-Pin, Amp #206044-1
P11	842376-0409	Connector, 12 Pos. Dual Row Interim Clip Housing
P11A	842376-0412	Connector, Housing 6 Pos.
P11B	842376-0413	Connector, Housing 6 Pos.

9" Pendant Pan and Tilt Assembly



9" Pendant Pan and Tilt Assembly

Material List

518120-1040 = SmartScan for 12-Conductor Slip Ring and 6X Lens
518120-3040 = SmartScan for 6-Conductor Slip Ring and 6X Lens
518120-5040 = SmartScan for 12-Conductor Slip Ring and 10X Lens
518120-7040 = SmartScan for 6-Conductor Slip Ring and 10X Lens
518388-1040 = SmartScan with RS-232 for 12 Conductor Slip Ring
518388-3040 = SmartScan with RS-232 for 6 Conductor Slip Ring

<u>Item</u>	<u>Part Number</u>	<u>Description</u>
2	515502-5130	Pan Gear
3	515501-3130	Tilt Gear
38	901113-0047	Bearing, Flange
A1	518073-1030	Receiver Board for 9" Pendant ¹
A2	518403-1030	RS232 Communication Board (only required for 518388-1040 and 518388-3040 assemblies)
A3	515776-2720	Modified Optical Encoder with 8" Cable & P1 Connector
A4	847005-0006	Optical Rotary Encoder with 8" Cable & P2 Connector
M1	844630-0055	Motor, Subfractional Ratio 60.5:1 30.3VDC
M2	844630-0054	Motor, Subfractional Ratio 96:1, 30.3VDC
N1	842376-0293	Connector, Contact 22-30 AWG
P8	842376-0339	Connector, Housing 2 Pos. Locking
P9	842376-0339	Connector, Housing 2 Pos. Locking
B1 ²	840301-0028	Battery, 3V; Panasonic # BR2325-1HB (on A1, Receiver Board)

CAUTION

Battery May Explode If Mistreated. Do Not Recharge, Disassemble Or Dispose Of In Fire.

U4 & U5³ 840809-0815 EPROMs on A1, Receiver Board, Program per 518181-1980

¹ If used with an RS-232 camera, cut jumpers W7 and W8.

² Life expectancy is 10 years. Use of another battery may present a Risk of Fire or Explosion.

³ If custom firmware is purchased, program per the number printed on the EPROM.

9" Bottom Domes

<u>Part Number</u>	<u>Description</u>
517511-4030	9" Bottom Dome Gold w/Snaps
517967-4030	9" Bottom Dome Gold w/Snaps (CE)
518087-4030*	9" Bottom Dome Gold with ¼-Turn Fasteners for Weather Dome
518086-4030	9" Bottom Dome Gold with Snaps for Weather Dome
517511-2030	9" Bottom Dome Chrome w/Snaps
517967-2030	9" Bottom Dome Chrome w/Snaps (CE)
518087-2030*	9" Bottom Dome Chrome with ¼-Turn Fasteners for Weather Dome
518086-2030	9" Bottom Dome Chrome with Snaps for Weather Dome
517511-1030	9" Bottom Dome Smoked w/Snaps
517967-1030	9" Bottom Dome Smoked w/Snaps (CE)
518087-1030*	9" Bottom Dome Smoked with ¼-Turn Fasteners for Weather Dome
518086-1030	9" Bottom Dome Smoked with Snaps for Weather Dome
517511-3030	9" Bottom Dome Clear w/Snaps
517967-3030	9" Bottom Dome Clear w/Snaps (CE)
518087-3030*	9" Bottom Dome Clear with ¼-Turn Fasteners for Weather Dome
518086-3030	9" Bottom Dome Clear with Snaps for Weather Dome
517945-1030	9" Bottom Dome Half-Tint Gold w/Snaps
517945-2030	9" Bottom Dome Half Tint Chrome w/Snaps
517945-3030	9" Bottom Dome Hi-Transmittance Half-Tint Gold with Snaps

* Supplied with three (3) clips, part number 861807-0011 for top dome. Refer to modification drawing #518251-1710 for installing clips on top dome (if necessary). If top and bottom dome are purchased together, these clips are not required.