

UltraDome KD6 Indoor Top Hat

518563-1040 = Top Hat for Hard Ceiling

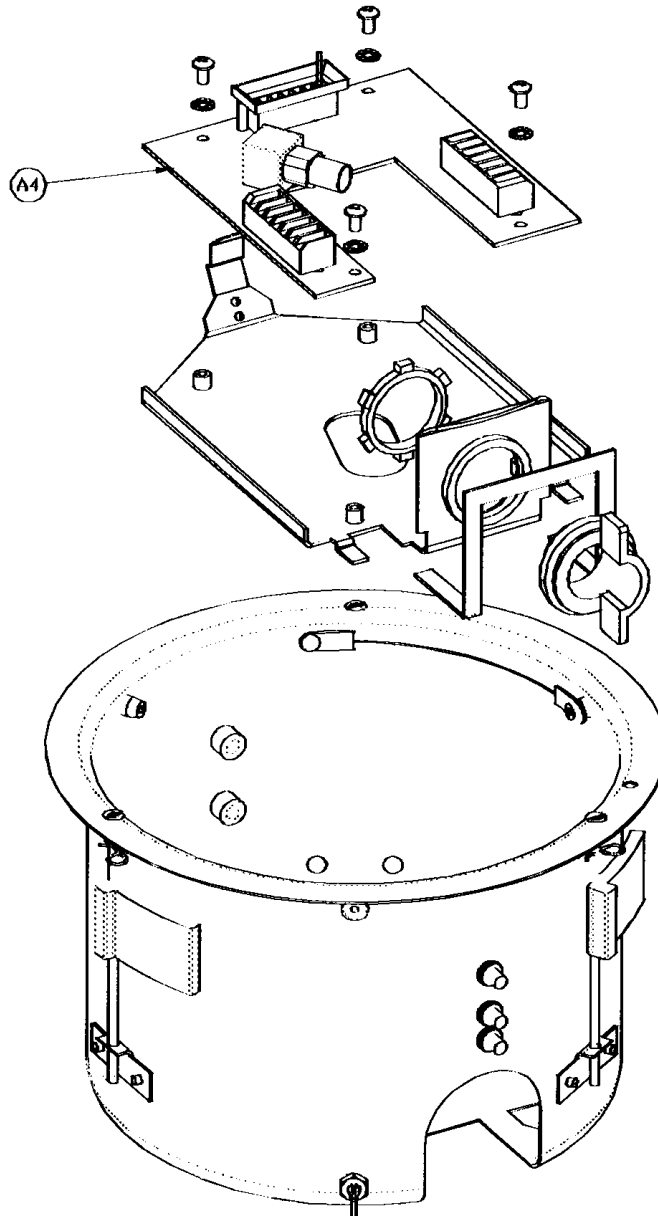
518563-2040 = Top Hat with Dropped Ceiling Mount

518563-3040 = Top Hat for Hard Ceiling with CAT5/UTC Option

518563-4040 = Top Hat with CAT5/UTC Option and Dropped Ceiling Mount

518563-5040 = Top Hat with Manchester Interface for Hard Ceiling

518563-6040 = Top Hat with Manchester Interface and Dropped Ceiling Mount



REPLACEMENT PARTS

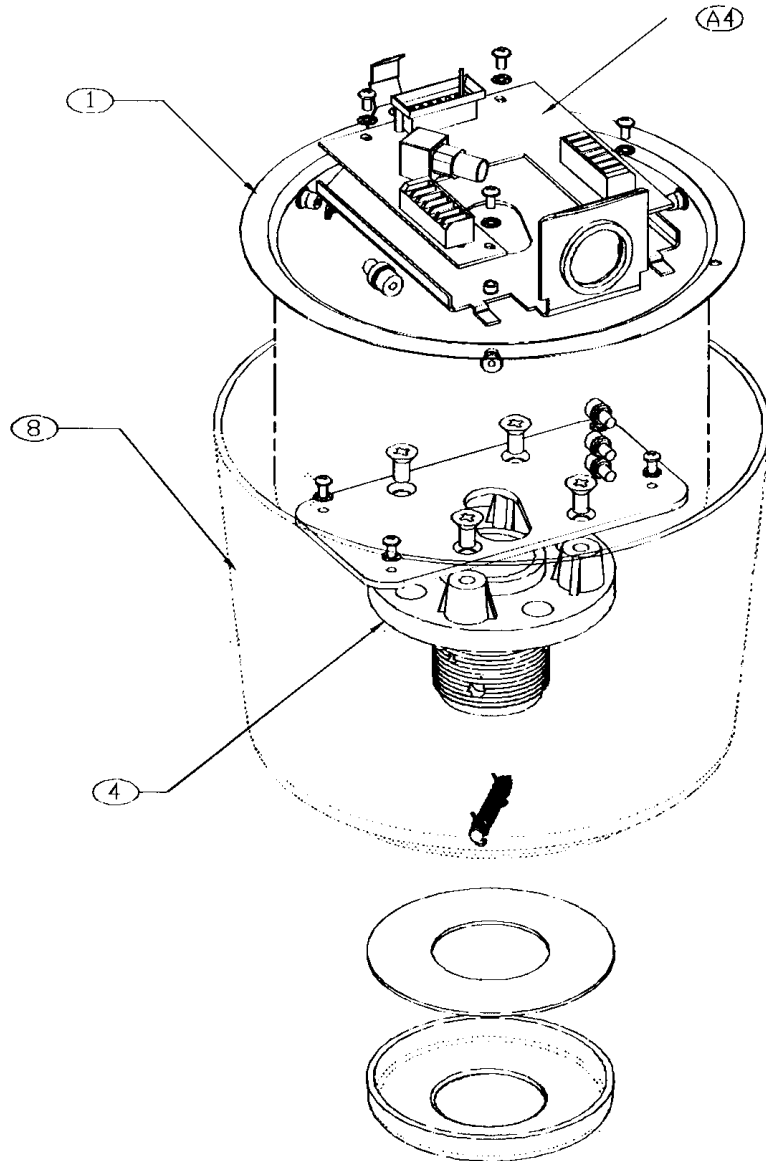
<u>Item</u>	<u>Part Number</u>	<u>Description</u>
18	517082-7130	Dropped Ceiling Mount (not shown - used on 518563-2040 only)
A4	518245-1030	Interface Board (Standard – shown)
A4	518753-1030	Interface Board (UTC or CAT5 Option – not shown)
A4	519058-1030	Interface Board (Manchester Interface – not shown)
F1	842805-0052	Fuse, Slo-Blo, 1.6A, 250V, 5x20mm, Littelfuse #288-01.6 (located on interface board)

UltraDome KD6 Indoor Pendant Top Dome

518567-1040 = Standard

518567-2040 = KD6 with CAT5 and UTC Options

518567-3040 = KD6 with Manchester Interface



REPLACEMENT PARTS

<u>Item</u>	<u>Part Number</u>	<u>Description</u>
1	518466-1140	Back Can
4	515676-1130	Slip Ring Support
8	518462-1120	Shroud
A4	518245-1030	Interface Board (Standard - shown)
A4	518753-1030	Interface Board (CAT5 or UTC option – not shown)
A4	519058-1030	Interface Board (Manchester Interface – not shown)
F1	842805-0052	Fuse, Slo-Blo, 1.6A, 250V, 5x20mm, Littelfuse #218-01.6 (located on interface board)

UltraDome KD6 Indoor Bottom Dome

<u>Part Number</u>	<u>Description</u>
518630-1000	Bottom Dome, Smoked with Black Trim Ring and Inner Dome (CE)
518630-2000	Bottom Dome, Smoked with White Trim Ring and Inner Dome (CE)
518630-3000	Bottom Dome, Smoked with Gold Trim Ring and Inner Dome (CE)
518630-4000	Bottom Dome, Clear with Black Trim Ring and Inner Dome (CE)
518630-5000	Bottom Dome, Clear with White Trim Ring and Inner Dome (CE)
518630-6000	Bottom Dome, Clear with Gold Trim Ring and Inner Dome (CE)
518630-7000	Bottom Dome, Half-Tint Chrome with Chrome Trim Ring and Inner Dome (CE)
518631-1000	Bottom Dome, Gold with Black Trim Ring and Inner Dome (CE)
518631-2000	Bottom Dome, Gold with White Trim Ring and Inner Dome (CE)
518631-3000	Bottom Dome, Gold with Gold Trim Ring and Inner Dome (CE)
518631-4000	Bottom Dome, Half-tint Gold with Black Trim Ring and Inner Dome (CE)
518631-5000	Bottom Dome, Half-tint Gold with White Trim Ring and Inner Dome (CE)
518631-6000	Bottom Dome, Half-tint Gold with Gold Trim Ring and Inner Dome (CE)

REPLACEMENT PARTS

<u>Part Number</u>	<u>Description</u>
700502-4130	Black Trim Ring
700502-3130	White Trim Ring
700502-6130	Gold Trim Ring
700515-2130	Smoked Bottom Dome
700515-1130	Clear Bottom Dome
700515-4130	Half-tint Gold Bottom Dome
700515-6130	Gold Bottom Dome
518562-1140	Inner Dome
941508-0053	Tool, Hex Key 5/64"

UltraDome KD6 Outdoor Top Weather Dome

518568-1040 = KD6 Weather Top Dome with 28-Pin Connector

518568-2040 = KD6 Weather Top Dome with 14-Pin Connector

518568-3040 = KD6 Weather Top Dome with 14-Pin Connector without Mating Connector

518568-4040 = KD6 Weather Top Dome (CAT5 and UTC Options) with 28-Pin Connector

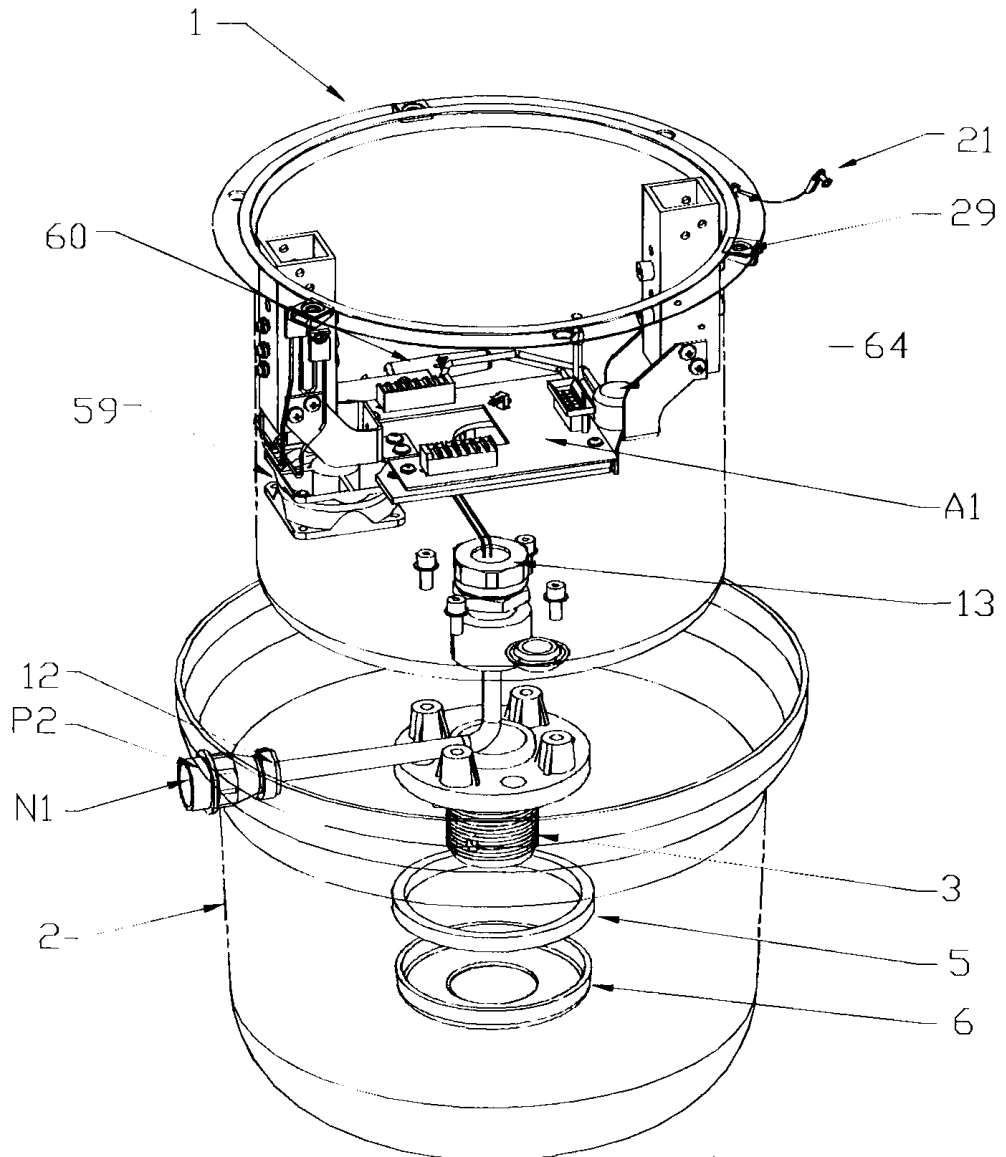
518568-5040 = KD6 Weather Top Dome (CAT5 and UTC Options) with 14-Pin Connector

518568-6040 = KD6 Weather Top Dome (CAT5 and UTC Options) with 14-Pin Connector
without Mating Connector

519091-1040 = KD6 Weather Top Dome (Manchester Interface) with 28-Pin Connector

519091-2040 = KD6 Weather Top Dome (Manchester Interface) with 14-Pin Connector

519091-3040 = KD6 Weather Top Dome (Manchester Interface) with 14-Pin Connector
without Mating Connector



KD6 Top Weather Dome

REPLACEMENT PARTS

Item	Part Number	Description
1	517923-7140	Top Hat for KD6 with Rails
2	518425-2130	Shroud, White Weather Top
2	518425-4130	Shroud, Black Weather Top
3	515676-1130	Slip Ring Support
5	518634-1120	Seal Dome Cap
6	515991-2120	Dome Cap
12	842376-0173	Clamp, Cable
13	518479-1120	Vacuum Seal Fitting & Jam Nut with Wires
21	517024-1120	Dome Safety Cable
29	861807-0011	Clip for ¼-Turn Fastener
59	842701-0028	Blower, 24Vdc
60	842805-0060	Fuse, Slow Blo, 4A, 250V
64	848475-0043	Thermostat, SPST, Open 90°F Close 70°F
A1	518245-2030	Interface Board (Standard – shown)
A1	518753-2030	Interface Board (UTC or CAT5 Option – not shown)
A1	519058-1030	Interface Board (Manchester Interface – not shown)
F1	842805-0052	Fuse, Slo-Blo, 1.6A, 250V, 5x20mm, Littelfuse #288-01.6 (located on interface board)
N1	842372-0393	Contact for 28-Pin Connector
N1	842376-0307	Contacts for 14-Pin Connector
P2	842372-0699	Connector, 28-Pin CPC Series 2
P2	842376-0262	Connector, Housing 14-Pin
-	517395-2020	Dome Mating Cable Kit (14-Pin)
-	517395-3020	Dome Mating Cable Kit (28-Pin)

UltraDome KD6 Outdoor Bottom Weather Dome

Part Number

700417-1030

700417-2030

700417-3030

700417-4030

Description

Smoked Bottom Dome with ¼-Turn Fasteners

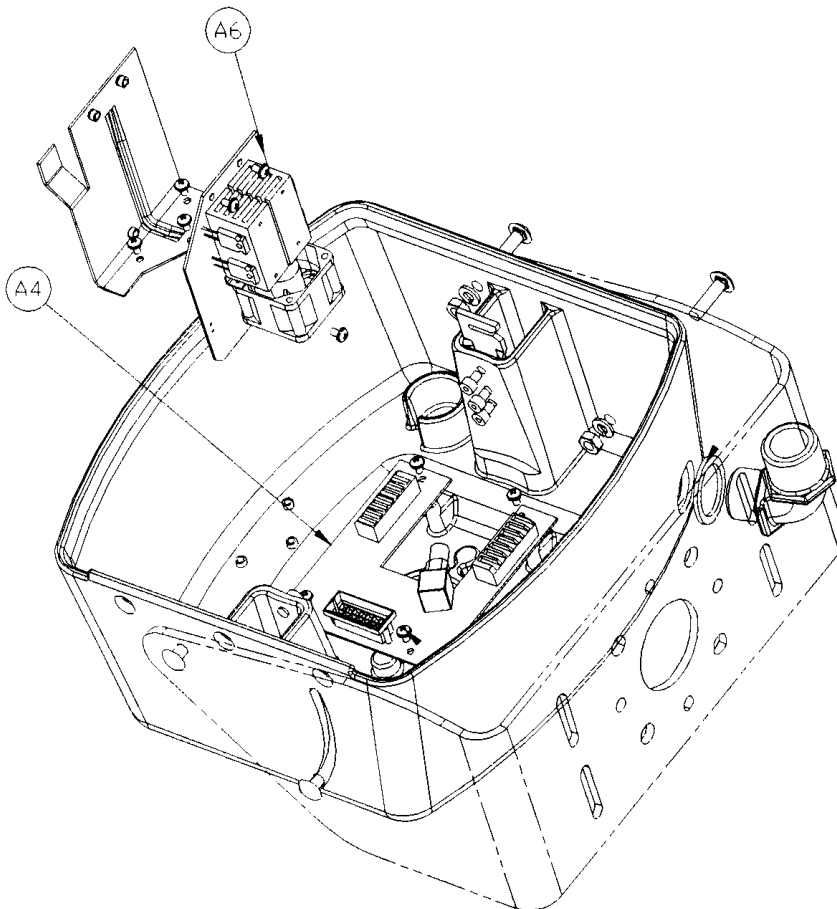
Chrome Bottom Dome with ¼-Turn Fasteners

Clear Bottom Dome with ¼-Turn Fasteners

Gold Bottom Dome with ¼-Turn Fasteners

KD6 Rugged Dome Top

518775-1040 Ruggedized Top Dome	518775-6040 Upper Housing, Ruggedized Dome w/CAT 5 & UTC & Heater
518775-2040 Ruggedized Top Dome w/Fan	518775-7040 Ruggedized Top Dome w/Manchester Interface
518775-3040 Ruggedized Top Dome w/Heater	518775-5040 Ruggedized Top Dome w/Manchester Interface & Fan
518775-4040 Ruggedized Top Dome w/CAT5 & UTC Interface	518775-6040 Upper Housing, Ruggedized Dome w/Manchester Interface & Heater
518775-5040 Ruggedized Top Dome w/CAT5 & UTC & Fan	



A4	518245-1030	Can Interface Board Assembly, Standard Wiring
A4	518753-1030	Interface Board for KD6 w/ CAT-5 & Coax Control
A4	519058-1030	Interface Board for KD6 with Manchester Code
A6	518088-3030	Heater/Blower Assembly, 24 Vac
A6	518088-4030	Blower Assembly, 24 Vac

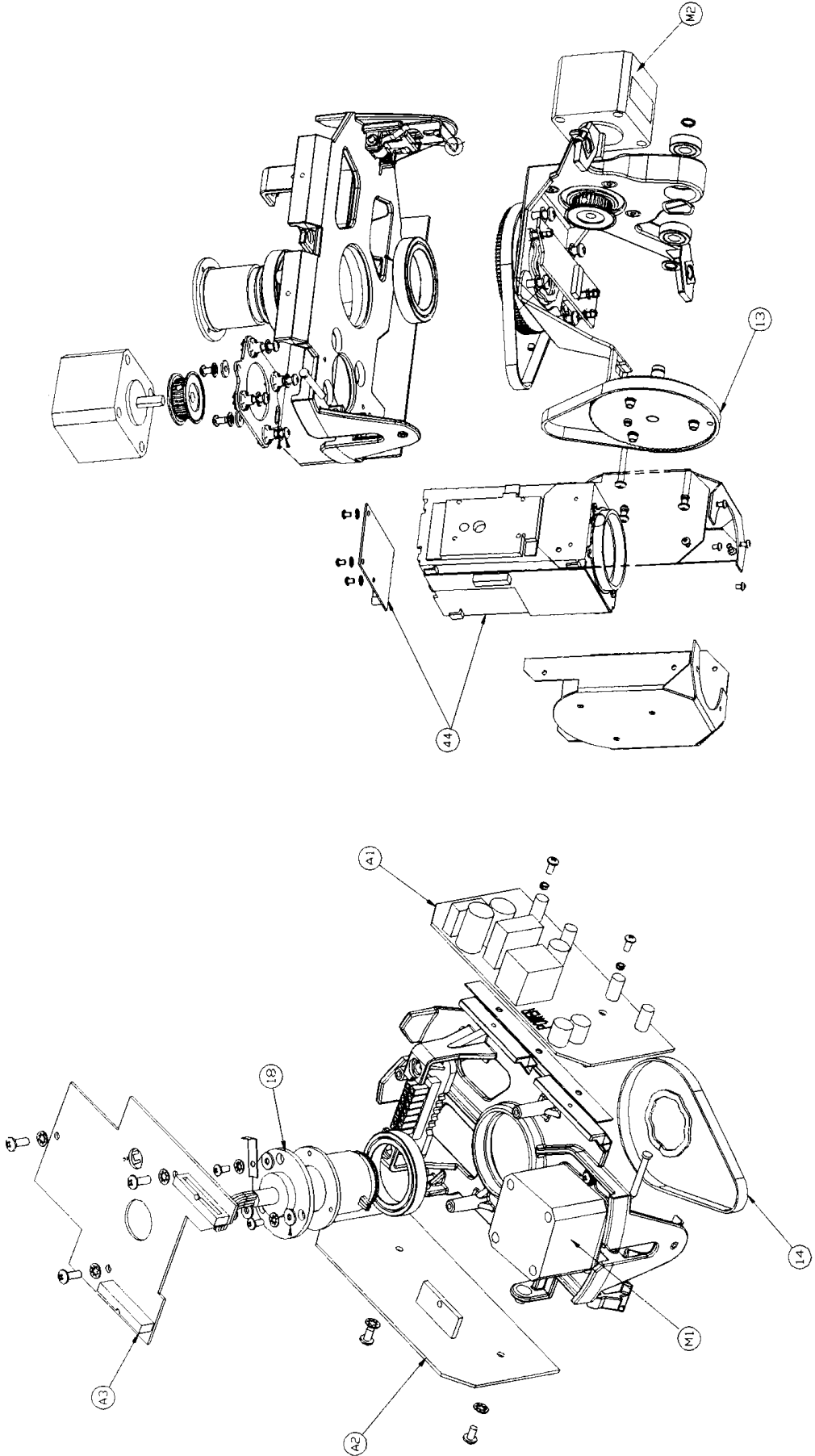
KD6 Rugged Dome Bottom

518777-1040	Clear Bottom Dome, Ruggedized Dome for KD6
518777-2040	Smoked Bottom Dome, Ruggedized Dome for KD6

UltraDome KD6 Yoke

Model KDSH0N0 = NTSC Camera

Model KDSH0P0 = PAL Camera



UltraDome KD6 Yoke
REPLACEMENT PARTS

<u>Item</u>	<u>Part Number</u>	<u>Description</u>
13	901200-0009	Belt for tilt sprocket part number 518875-1120
13	901200-0006	Belt for tilt sprocket part number 518320-1120
14	901200-0008	Belt for pan sprocket part number 518872-1120
14	901200-0007	Belt for pan sprocket part number 518561-1120
18	518418-2030	Slip Ring and Camera Interface Board
44	843216-0900	Color NTSC Camera with line lock capability and 4x digital zoom
44	843216-0901	Color PAL Camera with line lock capability and 4x digital zoom
A1	518241-1030	Power Supply Board
A2	518339-1030	Digital Receiver Board
A3	518335-1030	Video Interconnect Board (NTSC)
A3	518335-2030	Video Interconnect Board (PAL)
M1	518688-5020	Replacement Pan Motor
M2	518688-6020	Replacement Tilt Motor
U1	840809-0815	I.C., EPROM, 64K x 8, CMOS, SMD, PLCC32 (located on receiver board 518339-1030)
U2	840809-0815	I.C., EPROM, 64K x 8, CMOS, SMD, PLCC32 (located on receiver board 518339-1030)
-	519248-1980	Firmware, (U1 and U2)
-	518691-1030	Inner Liner (Not shown)