

Spectra® IV SE Horizon Series Dome Systems

CRYSTAL CLEAR, INTEGRATED LOOK-UP DOME SYSTEM

Product Features

- Unparalleled Crystal Clear Video at Any Angle
- Vertical Tilt of up to 18° Above Horizontal
- Autofocus, High Resolution Integrated Camera/Optics Package
- Day/Night, 540 TVL, 128X Wide Dynamic Range (WDR), Motion Detection, and Electronic Image Stabilization
- Window Blanking
- Camera Title Overlay, 20 User-Definable Characters
- Horizontal and Zone Blanking
- On-Screen Compass and Tilt Display
- Password Protection
- Freeze Frame During Presets
- Built-in Surge and Limited Lightning Protection
- Integrated Passive Unshielded Twisted Pair (UTP) Circuit
- Low Lux Noise Reduction

An important, but often overlooked, component of a high-speed dome system is the relationship between the dome bubble and the camera lens. Special consideration was taken when designing the Spectra® IV SE Horizon lower dome bubble to ensure that an optimal optical relationship between the lens and bubble was achieved, providing crystal clear video at long focal lengths and extended vertical angles.

The Spectra IV SE Horizon dome drive's unique **integrated optics package** incorporates many advanced features that allow the system to produce high quality video in the most difficult environments. The camera in the Spectra IV SE Horizon dome drive features vertical tilt of 18° above the horizon, providing optical clarity and the ability to look up. **LowLight™** technology allows the camera to compensate for scenes where minimal light is present. The camera features advanced **128X wide dynamic range** that enables the system to compensate for scenes where dramatic contrasts in lighting are present. **Electronic image stabilization** digitally reduces blurring of the camera image due to vibration caused by external sources such as wind and traffic.

Spectra IV SE Horizon back box options include environmental in-ceiling, standard pendant, and environmental pendant models. Each back box model features built-in **back box memory** to store camera and location-specific dome settings, including labels, presets, patterns, and zones. A **passive UTP circuit** is located on the door assembly for convenient video transmission through twisted pair wire. For added flexibility, Pelco fiber modules can also be attached to the door assembly for transmission over single-mode or multimode fiber.



**ENVIRONMENTAL
IN-CEILING MODEL
SD4H35-F-E0**

**PENDANT MODEL
SD4H35-PG-0**

- Ability to Add IP Network Capability by Purchasing Optional TXB-IP Module

Spectra IV SE Horizon dome systems feature many software enhancements that increase performance and make configuration and operation easy. An **internal scheduling clock** allows for the scheduling of presets and patterns. **Window blanking** enables a user to configure up to eight, four-sided, user-defined privacy areas. **Password protection** prevents unauthorized users from changing the system settings. Configurable **on-screen compass and tilt display** provides positioning information when needed. Intuitive multilingual on-screen menus can be displayed in English, Spanish, Portuguese, Italian, French, German, Russian, Polish, Turkish, and Czech.

Spectra IV SE Horizon's variable speed capabilities range from a smooth, fast pan motion of 400 degrees per second to a smooth "creep" speed of 0.1 degree per second. The system is capable of continuous 360 degrees rotation and has an **"auto flip"** feature that allows the dome to rotate 180 degrees and reposition itself for uninterrupted viewing of any subject that passes directly beneath the dome.

In addition, with the optional Pelco TXB-IP module, you can add IP network capability at any time to a Spectra IV dome system without losing analog viewing and control. By snapping the TXP-IP module into the back box, you can stream network video to a Web browser, Endura®, Digital Sentry®, or third-party software recording solution allowing integration into virtually any IP-based system.

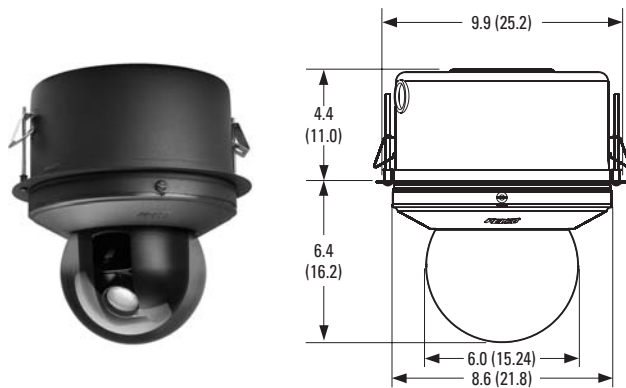


TECHNICAL SPECIFICATIONS

DOME DRIVE FEATURES

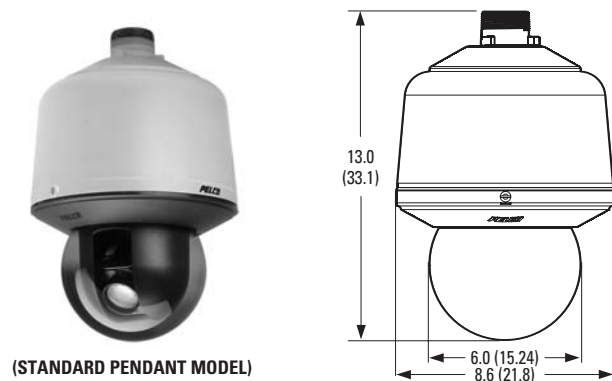
- Vertical Tilt of 18° Above Horizontal
- 256 Presets
- $\pm 0.1^\circ$ Preset Accuracy
- Electronic Image Stabilization
- Extended Vertical Angles
- Multilanguage Menus (English, Spanish, Portuguese, Italian, French, German, Russian, Polish, Turkish, and Czech)
- RJ-45 Data Port for Software Update and Setup
- On-Screen Compass, Tilt, and Zoom Display
- 400°/sec Pan Preset Speed and 200°/sec Tilt Preset Speed
- Rotating Discreet Liner with Sealed Fixed Bubble
- Window Blanking: Up to 8, Four-Sided, User-Defined Shapes
- 8 Zones (configurable in size) Can Be Labeled with up to 20 Characters Each or Set to Output Blank Video
- 7 Alarm Inputs
- 1 Auxiliary (Form C) Relay Output and 1 Open Collector Auxiliary Output (can be alternately configured to operate upon alarm)
- Configurable Locations of Labels and On-Screen Displays
- Action on Alarm: Alarms Can Be Individually Configured for 3 Priority Levels, to Initiate a Stored Pattern, or to Go to an Associated Preset When Received
- Resume After Alarm: Allows the Dome to Return to a Previously Configured State After Alarm Acknowledgement or to its Previous Position Before Alarm
- Multiple Park and Power-Up Action
- Patterns: Up to 8, On-Screen, User-Defined Configurable Patterns; Includes Pan, Tilt, Zoom, and Preset Functions
- Proportional Pan/Tilt: Continually Decreases Pan/Tilt Speeds in Proportion to Depth of Zoom
- Variable Scan Speed: Scan Speed Can Be Configurable Between 1–40°/sec
- Pan Motion Allows 0.1–150°/sec Pan Speed
- Configurable Limit Stops for Auto/Random/Frame Scan Modes
- Auto-sensing Protocol (Coaxitron®, RS-422 Pelco P and Pelco D); Accepts Competitive Control Protocol with Optional Translator Card
- Digital Position, Zoom Control, and Feedback Through Pelco D Protocol
- Built-in Menu System for Setup of Configurable Functions
- "Auto Flip" Rotates Dome 180° at Bottom of Tilt Travel
- Configurable Zoom Speeds

BACK BOX FEATURES



Environmental In-Ceiling

- Built-in Memory Stores Camera/Dome Settings
- Single Back Box for Hard Ceiling Applications
- Requires 4.4-Inch Space Above Ceiling and 6.4 Inches Below
- Includes Heater and Fan
- Minimum Ceiling Thickness 0.5-Inch; Maximum 1.75 Inches
- Quick Disconnect to Dome Drive
- Aluminum Construction
- Integrated Passive UTP



(STANDARD PENDANT MODEL)

Standard and Environmental Pendant

- Standard and Environmental Models
- Built-in Memory Stores Camera/Dome Settings
- Quick Disconnect to Dome Drive
- Aluminum Construction
- Environmental Model Includes Sun Shield, Fan, and Heater
- Integrated Passive UTP

NOTE: VALUES IN PARENTHESES ARE CENTIMETERS; ALL OTHERS ARE INCHES.

TECHNICAL SPECIFICATIONS

CAMERA/OPTICS

Signal Format	NTSC (DD4H35) PAL (DD4H35-X)
Scanning System	2:1 Interlace/1:1 progressive scan (user selectable)
Image Sensor	1/4-inch EXview HAD™
Effective Pixels	
NTSC	768 (H) X 494 (V)
PAL	752 (H) X 582 (V)
Horizontal Resolution	
NTSC	>540 TV Lines
PAL	>540 TV Lines
Lens	f/1.4 (focal length, 3.4 ~ 119 mm)
Zoom	35X optical, 12X digital
Zoom Speed (optical range)	3.2/4.6/6.6 seconds
Horizontal	
Angle of View	55.8° at 3.4 mm wide zoom; 1.7° at 119 mm telephoto zoom
Focus	Automatic with manual override
Maximum Sensitivity at 35 IRE	
NTSC/EIA	0.55 lux at 1/60 sec (color) 0.018 lux at 1/2 sec (color) 0.00018 lux at 1/2 sec (B-W)
PAL/CCIR	0.45 lux at 1/50 sec (color) 0.015 lux at 1/1.5 sec (color) 0.00015 lux at 1/1.5 sec (B-W)
Sync System	Internal/AC line lock, phase adjustable using remote control, V-Sync
White Balance	Automatic with manual override
Shutter Speed	Automatic (electronic iris)/Manual
NTSC	1/2 ~ 1/30,000
PAL	1/1.5 ~ 1/30,000
Iris Control	Automatic Iris Control with manual override
Gain Control	Automatic/OFF
Video Output	1 Vp-p, 75 ohms
Video Signal to Noise	>50 dB
Wide Dynamic Range	128X
Electronic Image Stabilization	Integrated
Image Enhancement	Integrated

MECHANICAL *(Dome Drive Only)*

Pan Movement	360° continuous pan rotation
Vertical Tilt	Unobstructed +18° to -92°
Manual Pan/Tilt Speeds	
Pan	0.1° to 80°/sec manual operation, 150°/sec Turbo
Tilt	0.1° to 40°/sec manual operation
Preset Speeds	
Pan	400°/sec
Tilt	200°/sec
	For variable-speed operation an appropriate controller is required. (With nonvariable speed control, Spectra IV SE Horizon pan/tilt speed is 20°/sec)

ELECTRICAL

Input Voltage	18 to 32 VAC; 24 VAC nominal 22 to 27 VDC; 24 VDC nominal
Input Power	
24 VAC	23 VA nominal (without heater); 73 VA nominal (with heater)
24 VDC	0.7 A nominal (without heater); 3 A nominal (with heater)
Fuse	1.25 A
Auxiliary Outputs	2
Alarm Inputs	7

CERTIFICATIONS/RATINGS/PATENTS

- CE, Class B
- FCC, Class B
- UL/cUL Listed
- C-Tick
- U.S. Patents 5,931,432; 6,793,415 B2; 6,802,656 B2; 6,821,222 B2

Meets the following standards:

- NEMA Type 4X, IP66 when installed properly

GENERAL

Construction			
Back Box			
In-Ceiling	Aluminum		
Pendant	Aluminum		
Dome Drive	Aluminum, thermo plastic		
Bubble	Acrylic		
Light Attenuation			
Smoked	f/0.5 light loss		
Clear	Zero light loss		
Cable Entry (back box)			
In-Ceiling	0.75-inch conduit fitting		
Pendant	Through 1.5-inch NPT pendant mount		
Weight (approximate)	Unit	Shipping	
Back Box			
Environmental			
In-Ceiling	2.1 lb (0.95 kg)	3 lb (1.36 kg)	
Standard Pendant	2.4 lb (1.09 kg)	4 lb (1.81 kg)	
Environmental Pendant	3.5 lb (1.59 kg)	5 lb (2.27 kg)	
Dome Drive	3.0 lb (1.36 kg)	4 lb (1.81 kg)	
Lower Dome	0.8 lb (0.40 kg)	2 lb (0.90 kg)	
Environment			
Environmental In-Ceiling	Outdoor		
Pendant, Standard and Environmental	Indoor/outdoor		
Operating Temperature			
Standard Pendant	(Assumes no wind chill factor)		
Maximum	113°F (45°C) absolute maximum; 95°F (35°C) sustained maximum		
Minimum	25°F (-4°C) sustained minimum		
Environmental			
In-Ceiling and Environmental Pendant	(Assumes no wind chill factor)		
Maximum	140°F (60°C) absolute maximum; 122°F (50°C) sustained maximum		
Minimum	-60°F (-51°C) absolute minimum; prevents icing at sustained minimum of -50°F (-45°C); de-ices 0.1 inch (2.5 mm) within 3 hours after power-up		
Effective Projected Area (EPA)			
	24 square inches (without mount)		
	50.6 square inches (with IWM Series mount)		

RELATED PRODUCTS

SYSTEM MODEL NUMBERS

Type	Back Box Color	Lower Dome	NTSC	PAL
In-Ceiling, Environmental*	Black	Smoked	SD4H35-F-E0	SD4H35-F-E0-X
		Clear	SD4H35-F-E1	SD4H35-F-E1-X
Pendant, Standard	Lt. Gray	Smoked	SD4H35-PG-0	SD4H35-PG-0-X
		Clear	SD4H35-PG-1	SD4H35-PG-1-X
Pendant, Environmental*	Lt. Gray	Smoked	SD4H35-PG-E0	SD4H35-PG-E0-X
		Clear	SD4H35-PG-E1	SD4H35-PG-E1-X

*Environmental dome systems include a heater, fan, and the environmental pendant also includes a sun shield.

COMPONENT MODEL NUMBERS

Back Box	Dome Drive	Lower Dome
BB4-F-E In-ceiling, black, environmental	DD4H35 Day/Night (NTSC) camera (35X)	LD4H-0 Smoked
BB4-PG Pendant mount, gray, standard		LD4H-1 Clear
BB4-PG-E Pendant mount, gray, environmental		

OPTIONAL ACCESSORIES

IPS-CABLE	Remote monitor cable and software kit consisting of the Spectra IV remote monitor interface cable and necessary software for use with a PC. Refer to www.pelco.com for a list of compatible devices.
IPS-RDPE-2†	Remote data port. 24 VAC, wall/pole mount video/data breakout box. Allows ground-level control/configuration and software upgrades when used with the IPS-CABLE.
TXB Series†	Translator boards for AD™ Manchester, Hervis, Bosch® (Philips, Burle), Sensomatic®, Vicon™, TASS, and NTCIP protocols.
TXB-IP Series	Communication module that allows you to control and monitor Spectra IV dome systems over an IP network (in-ceiling and pendant models only).
FS85011A†	Fiber transmitter sends one unidirectional composite video channel and 1 bidirectional data channel over 1 multimode or single-mode fiber optical cable.

†If TXB or FS85011A boards are installed, remote upload of system software will not be possible.

RECOMMENDED MOUNTS

In-Ceiling Domes

SD5-P	2' x 2' drop ceiling panel, aluminum construction. Replaces 2' x 2' ceiling tile.
SCA1	Support rails for BB4-F; for use in ceiling tile applications.

Pendant Domes

BB5-PCA-BK	Pendant conduit adapter, black
IWM Series	Wall mount, with or without integral 24 VAC, 100 VA transformer. Can be adapted for corner, parapet, or pole applications.
MRCA	Ceiling mount, black
PP4348	Parapet roof mount
PP350/PP351	Parapet wall/roof mount
SWM Series	Compact wall mount. Can be adapted for corner or pole applications.

RECOMMENDED POWER SUPPLIES

MCS Series	Indoor, 24 VAC power supply
WCS Series	Outdoor, 24 VAC power supply

Refer to individual power supply specifications for more information.

Pelco, Inc. Worldwide Headquarters:

3500 Pelco Way, Clovis, California 93612-5699 USA

USA & Canada Tel: (800) 289-9100 • FAX: (800) 289-9150

International Tel: +1 (559) 292-1981 • FAX: +1 (559) 348-1120

www.pelco.com

Pelco, the Pelco logo, and other trademarks associated with Pelco products referred to in this publication are trademarks of Pelco, Inc. or its affiliates. All other product names and services are the property of their respective companies. Product specifications and availability are subject to change without notice.

©Copyright 2010, Pelco, Inc. All rights reserved.