

Stainless Steel Spectra® IV Series

BACK BOX AND LOWER DOME

Product Features

- All Stainless Steel Construction
- Built-in Back Box Memory
- Integrated Passive UTP Circuit
- 7 Alarm Inputs; 2 Programmable Auxiliary Outputs
- Built-in Surge and Limited Lightning Protection
- Compatible with All Spectra® IV SE and Spectra IV Dome Drives
- Bubble Constructed of Optically Clear Acrylic
- Environmental Pendant Model Only
- Indoor/Outdoor Applications
- Meets NEMA Type 4X and IP66 Standards
- Ability to Add IP Network Capability by Purchasing Optional TXB-IP Module



**ENVIRONMENTAL PENDANT
BB4-PSG-E AND LD53PSB-1
(SHOWN WITH IDM4012SS WALL MOUNT)**

Pelco's **Stainless Steel Spectra® IV** is designed for harsh environmental installations and meets NEMA Type 4X and IP66 standards.

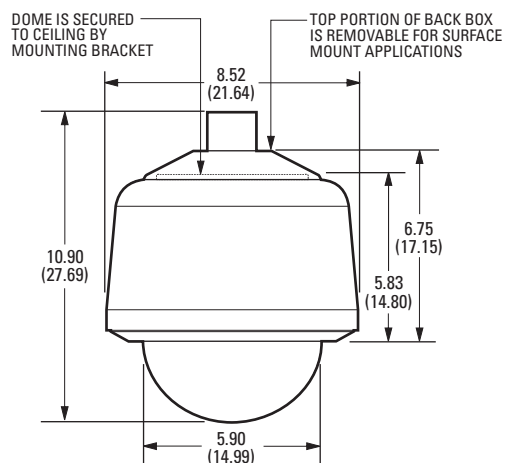
The components (back box and lower dome) provide added protection against corrosive conditions. The pendant-style back box (**BB4-PSG-E**) is constructed of Type 316 Stainless Steel (SS) and includes a sun shield (also constructed of Type 316 SS), heater, and fan. The lower dome features a trim ring constructed of Type 316 SS and an optically clear bubble that is available in smoked (**LD53PSB-0**) or clear (**LD53PSB-1**) acrylic.

The **Stainless Steel Spectra IV** has all the features of the Spectra IV SE dome system (built-in back box memory, two auxiliary outputs, seven alarm inputs) and is also compatible with all Spectra IV SE and Spectra IV dome drives.

Camera and lens options for the **Stainless Steel Spectra IV** include:

- Day/night camera, 128X wide dynamic range, motion detection, electronic image stabilization, LowLight™ technology, and 35X optical zoom with 12X digital zoom
- Day/night camera, 80X wide dynamic range, motion detection, LowLight technology, and 23X optical zoom with 12X digital zoom
- Day/night camera, LowLight technology, and 18X optical zoom with 12X digital zoom
- High-resolution color camera with an EXview HAD™ CCD, LowLight technology, and 22X optical zoom with 12X digital zoom
- High-resolution color camera with LowLight technology, and 16X optical zoom with 8X digital zoom

For an alternative mounting option use the **IDM4012SS** wall mount. The **IDM4012SS** mount is designed specifically for the **Stainless Steel Spectra IV Series** and features all stainless steel construction and conduit access in the bottom and back of the mount.



NOTE: VALUES IN PARENTHESES ARE CENTIMETERS; ALL OTHERS ARE INCHES.



C3415 / REVISED 6-27-08

IP66



International Standards
Organization Registered Firm;
ISO 9001 Quality System



TECHNICAL SPECIFICATIONS

SYSTEM MODEL NUMBERS

Back Box Type	Lower Dome	SPECTRA IV		SPECTRA IV SE		
		16X Color*	18X Day/Night*	22X Color*	23X Day/Night*	35X Day/Night*
Environmental Pendant	Smoked	SD4TC-PSGE0	SD418-PSGE0	SD4C22-PSGE0	SD4CBW-PSGE0	SD435-PSGE0
	Clear	SD4TC-PSGE1	SD418-PSGE1	SD4C22-PSGE1	SD4CBW-PSGE1	SD435-PSGE1

COMPONENT MODEL NUMBERS

Back Box		Lower Dome		Dome Drive*	
BB4-PSG-E Environmental Pendant mount, gray 316 SS		LD53PSB-0	Smoked, pendant, black trim ring 316 SS	DD4TC16	Color (NTSC) camera (16X)
		LD53PSB-1	Clear, pendant, black trim ring 316 SS	DD4CBW18	Day/night (NTSC) camera (18X)
				DD4CBW	Day/night (NTSC) camera (23X)
				DD4C22	Color (NTSC) camera (22X)
				DD4CBW35	Day/Night (NTSC) camera (35X)
				DD5-FM**	Removable, fixed mount bracket only (camera and lens not included); interchangeable with all Spectra IV dome drives

*For PAL and CCIR models add "-X" suffix to part number. (Example: SD4C22-PSGE0-**X** or DD4C22-**X**)

**DD5-FM is ideal for use with Pelco's C10DN-6, C10DN-6X, C10CH-6, C10CH-6X, CCC1390H-6, and CCC1390H-6X cameras with selected Pelco lenses.

ELECTRICAL

Input Voltage	18-32 VAC; 24 VAC nominal
Input Power	
24 VAC	73 VA nominal
24 VDC	3 A nominal
Fuse	1.6 A
Auxiliary Outputs	2
Alarm Inputs	7

GENERAL

Construction	
Back Box	316 stainless steel; gray, polyurethane powder coated finish
Lower Dome	
Trim Ring	316 stainless steel; black, polyurethane powder coated finish
Bubble	Acrylic, clear or smoked
Cable Entry	Through 1.5-inch NPT back box pendant mount
Weight (approximate)	
Back Box	<u>Unit</u> 4.75 lb (2.15 kg)
Lower Dome	<u>Shipping</u> 1.83 lb (0.83 kg)
Dome Drive	3.3 lb (1.48 kg) 4.9 lb (2.22 kg)
Environment	Indoor/Outdoor
Operating Temperature	(Assumes no wind chill factor; for detailed test conditions, contact Pelco)
Maximum	140°F (60°C) absolute maximum; 122°F (50°C) sustained maximum
Minimum	-60°F (-51.11°C) absolute minimum; minimal icing at sustained minimum of -50°F (-45.56°C); prevents icing at sustained minimum of -40°F (-40°C); de-ices 0.1 inch (2.5 mm) within 3 hours after power-up

CERTIFICATIONS

- CE, Class B
- FCC, Class B
- UL/cUL Listed
- Meets NEMA Type 4X, IP66 standards when installed properly
- S Mark for Argentina

OPTIONAL ACCESSORIES

IPS-CABLE	Remote monitor cable and software. See www.pelco.com for a list of compatible devices.
IPS-RDPE-2	Remote data port. 24 VAC, wall/pole mount video/data breakout box. Allows ground-level control/programming and Spectra OS software upgrades when used with the IPS-RMK or IPS-CABLE.
IPS-RMK	Remote monitor kit.
TXB Series	Translator boards for AD Manchester, Hervis, Bosch (Philips, Burle), Sensomatic, Vicon, TASS, and NTCIP protocols.
TXB-IP Series*	Communication module that allows you to control and monitor Spectra IV dome systems over an IP network (in-ceiling and pendant models only).
FS85011A†	Fiber transmitter sends one unidirectional composite video channel and one bidirectional data channel over one multi-mode or single-mode fiber optic cable.

*If TXB or FS85011A boards are installed, it is not possible to upgrade system operating software through the remote data port (IPS-RDPE-2).

RECOMMENDED POWER SUPPLIES

WCS Series	Single/multiple 24 VAC camera power supply, outdoor
------------	---

RECOMMENDED MOUNT

IDM4012SS	Stainless steel wall mount with feed-through capabilities
-----------	---



Pelco, Inc. Worldwide Headquarters:

3500 Pelco Way, Clovis, California 93612-5699 USA
USA & Canada Tel: (800) 289-9100 • FAX: (800) 289-9150
International Tel: +1 (559) 292-1981 • FAX: +1 (559) 348-1120
www.pelco.com

Pelco, the Pelco logo, and Spectra are registered trademarks of Pelco, Inc.
 LowLight is a trademark of Pelco, Inc.
 EXview HAD is a trademark of Sony Corporation.
 Product specifications and availability subject to change without notice.
 ©Copyright 2008, Pelco, Inc. All rights reserved.