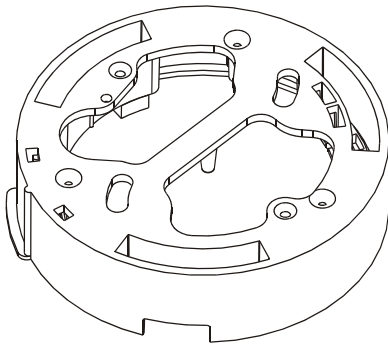


# ADSDUDPTB Mounting Base

## Installation Guide

Figure 1. ADSUDPTB Mounting Base



## Contents

About this Guide.....	1
Warnings and Cautions.....	1
Before You Begin .....	2
Tools and Equipment.....	2
Parts List.....	2
Installation Procedures.....	2
Attaching to a Hard Ceiling.....	3
Attaching to a Mounting Structure .....	4
Declarations .....	5


## About this Guide

This guide explains how to attach the base of the camera dome (Figure 1) to a hard ceiling or to an optional mounting structure.

Note: For an explanation of how to assemble a mounting structure, see instructions supplied with the structure.

## Warnings and Cautions

Please review the following warnings and cautions before you install the mounting base. For additional warnings and cautions, see the camera dome installation guide.

 **WARNING!**

ALWAYS USE:


- Proper safety equipment for the location and type of installation.
- Proper lift equipment to reach the installation.
- Safety features of the lift equipment.

BE SURE:

- Electrical power is not connected to the dome when connecting wires. Dome will move when power is applied.
- Electrical power is not connected to nearby fixtures that you might touch during installation.

 **WARNING!**

DO NOT install this camera dome in hazardous areas where highly combustible or explosive products are stored or used.

 **WARNING!**

**This dome runs on 24Vac. DO NOT connect line voltage to this dome.**

**North America power requirements:** In North America, this device is intended to be supplied from a Class 2 power supply. For outdoor installations, use Class 3 wiring techniques, liquid-tight conduit, or liquid-tight pipe.

This installation should be made by a qualified service person and should conform to all local codes.



### WARNING!

**EU power requirements:** This product runs on 24Vac. In the EU, it is intended to be powered from a Limited Power Source. A limited power source is a certified source of SELV, and if inherently limited, with 8 Amps maximum output current, and a maximum of 100 VA available; or if not inherently limited, fused with a maximum value of 3.3 Amps, meeting section 2.11 of IEC950, and a maximum of 250 VA available. The power supply can be obtained through American Dynamics or through another source where the provider can furnish the verification. This is required to assure electrical safety in the product.

**Stromanforderungen in der EU:** Dieses Produkt wird mit 24 V Wechselstrom betrieben. In der EU ist es für den Betrieb durch eine begrenzte Stromquelle vorgesehen. Eine begrenzte Stromquelle ist eine zertifizierte SELV-Quelle (Schutzkleinspannung), bei inhärenter Begrenzung mit einem maximalen Ausgangsstrom von 8 A und 100 VA maximaler Verfügbarkeit, bei nicht inhärenter Begrenzung mit einer maximalen Sicherung von 3,3 A gemäß Abschnitt 2.11 der IEC950 und 250 VA maximaler Verfügbarkeit. Das Netzteil kann über American Dynamics oder eine andere Quelle bezogen werden, wobei der Anbieter den Nachweis der Konformität bereitstellen sollte. Dies ist zur Gewährleistung der elektrischen Sicherheit des Produktes erforderlich.



**CAUTION:** The maximum length of power cable allowed between the Class 2 LPS (low voltage) AC source, such as a J-box, and the dome is 250m (820 ft).

## Before You Begin

Please read the following to ensure a smooth and successful installation.

You must:

- Have electrical work comply with latest national electrical code, national fire code, and all applicable local codes and ordinances.
- Coordinate work with other trades to avoid interference.

- Verify existing site conditions and coordinate with the owner's representative and appropriate utilities as required.
- Obtain copies of all related plans, specifications, shop drawings and addenda to schedule and coordinate related work.
- Thoroughly review the project to ensure that all work meets or exceeds the above requirements. Bring alleged discrepancies to the attention of the CCTV Project Coordinator.

## Tools and Equipment

You should have on hand the following tools and equipment:

- Phillips-head screwdriver
- Power drill with 3.2mm (1/8"), 9.6mm (3/8"), and 19.5mm (3/4") drill bits
- Hammer
- Vacuum and broom

## Parts List

**Note:** In the following procedures, numbers shown in brackets [ ] in both text and figures refer to items in the installation kit, which include:

ID	Description	Qty	Part Number
1	Base, SpeedDome Ultra	1	0400-1146-01
2	Anchor, Toggle	2	2880-0073-01
3	Screw, STAP, 4.2x32 PH	2	5810-4091-120
4	Washer, Flat, M4	2	5842-0300-020
5	Cable, Video	1	6003-0131-01
6	Cover, Dust	1	3100-0066-01
7	Plug, 3-Pin	1	2109-0510-03

## Installation Procedures

This section explains how to:

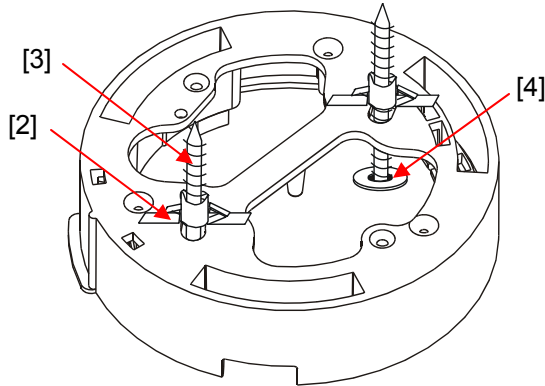
1. Attach the base indoors to a:
  - Hard ceiling (see Attaching to a Hard Ceiling on page 3)
  - Mounting structure (see Attaching to a Mounting Structure on page 4)

2. Attach power and video cables to the housing and eyeball assembly.

## Attaching to a Hard Ceiling

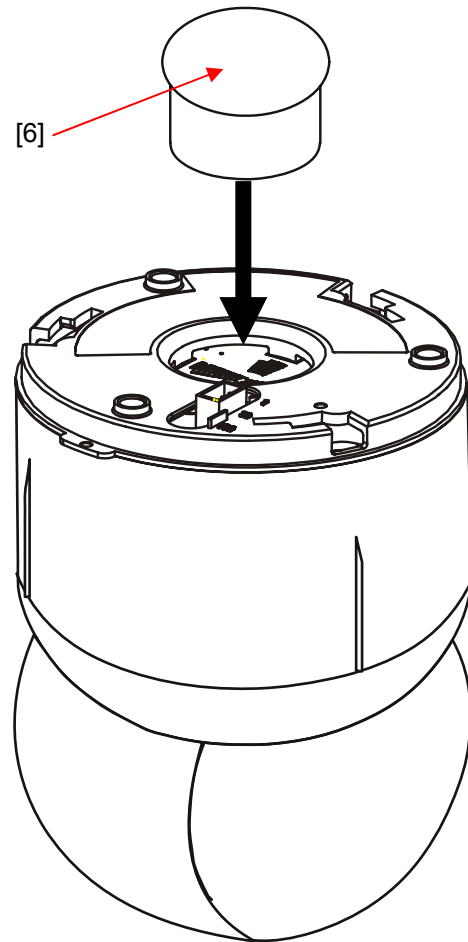
Use the following procedure to attach the base to sheet rock or wood beams (Figure 2).

Figure 2. Surface Mounting to Sheet Rock and Wood Beams



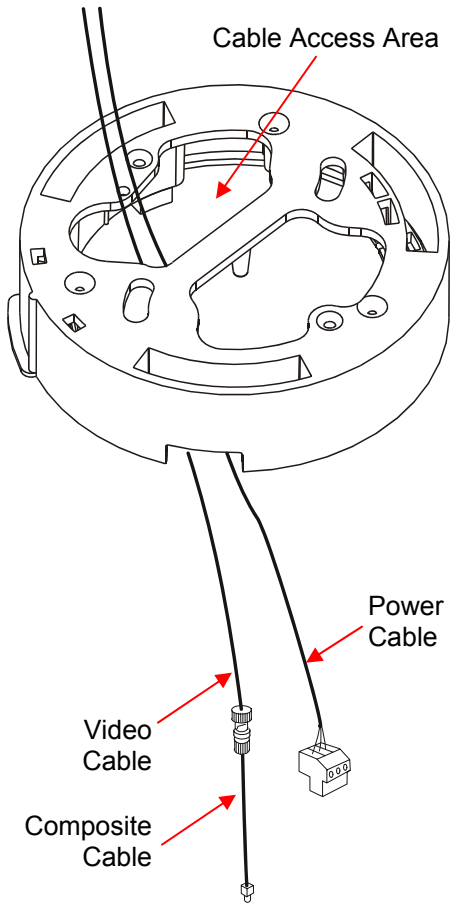
1. Place the mounting base against the ceiling, and then mark and drill holes for two mounting screws. If mounting to sheet rock, also mark and drill a hole for cable access.
  - **Sheet Rock:** Drill two 9.6mm (3/8") holes for the plastic anchors. Drill one 19.5mm (3/4") hole over the cable access area for cable access.
  - **Wood:** Drill two 3.2mm (1/8") holes for the mounting screws. If the wood covers the cable access area, drill one 19.5mm (3/4") hole for cable access.
2. Press the dust cover [6] into the large hole in the cap of the camera dome to keep debris out of the dome (Figure 3).

Figure 3. Installing the Dust Cover



3. Attach the mounting base to the ceiling.
  - **Sheet Rock:** Install the plastic anchors [2]; then place the washers [4] onto the screws [3], and insert them into the anchors.
  - **Wood:** Place the washers [4] onto the screws [3], and insert them into the wood.
4. Feed the power and video cables through the mounting base cable access area (Figure 4 on page 4).

Figure 4. Mounting Base Wiring



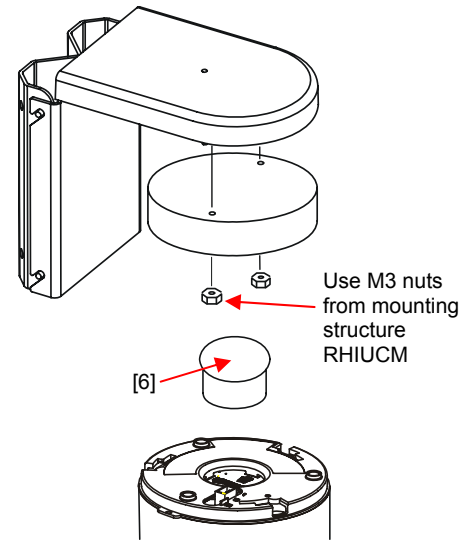
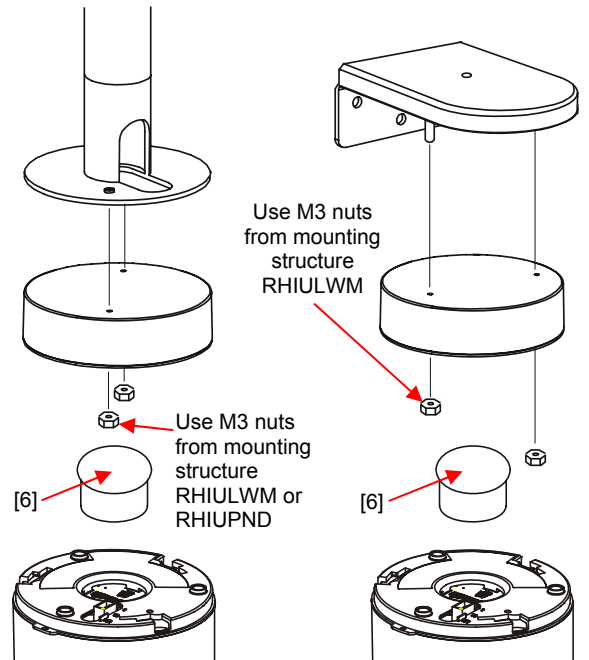
5. Connect the new video cable [5] to the video connector of the composite cable.
6. Plug the composite cable connector into the micro-coaxial receptacle in the top of the housing and eyeball assembly.
7. Plug the power connector [7] into the dome's power housing connector P8.

## Attaching to a Mounting Structure

To attach the base to a mounting structure (see Figure 5):

Press the dust cover [6] into the large hole in the cap of the camera dome to keep debris out of the dome during this procedure.

Figure 5. Attaching the Base to a Mounting Structure



---

# Declarations

## Regulatory Compliance

Safety ..... UL 1950  
CSA C22.2 No 950  
EN 60950-1

**REGULATORY PRODUCT NAME:**

Part of Type: VP SDU

**EQUIPMENT MODIFICATION CAUTION:** Equipment changes or modifications not expressly approved by Sensormatic Electronics Corporation, the party responsible for FCC compliance, could void the user's authority to operate the equipment and could create a hazardous condition.

**WARRANTY DISCLAIMER:** Sensormatic Electronics Corporation makes no representation or warranty with respect to the contents hereof and specifically disclaims any implied warranties of merchantability or fitness for any particular purpose.

**NOTICE:** The information in this manual was current when published. The manufacturer reserves the right to revise and improve its products. All specifications are therefore subject to change without notice.

**LIMITED RIGHTS NOTICE:** For units of the Department of Defense, all documentation and manuals were developed at private expense and no part of it was developed using Government Funds. The restrictions governing the use and disclosure of technical data marked with this legend are set forth in the definition of "limited rights" in paragraph (a) (15) of the clause of DFARS 252.227.7013. Unpublished - rights reserved under the Copyright Laws of the United States.

**TRADEMARK NOTICE:** *American Dynamics* and *Sensormatic* are trademarks or registered trademarks of Sensormatic Electronics Corporation. Other product names mentioned herein may be trademarks or registered trademarks of Sensormatic or other companies.

**COPYRIGHT:** Under copyright laws, the contents of this manual may not be copied, photocopied, reproduced, translated or reduced to any electronic medium or machine-readable form, in whole or in part, without prior written consent of Sensormatic Electronics.

WJM\_7/2006