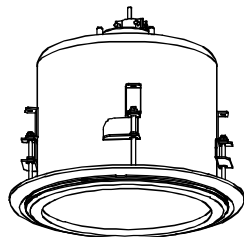


# Fixed Camera Housing

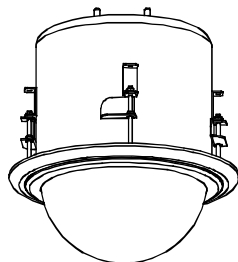
## Installation Guide

The fixed camera housing can be installed in a hard ceiling or 2x2 tile of a suspended ceiling. The housing comes in two versions:

- RHOPTFLENS housing with smoked flat window
- RHOPTDOME housing with smoked optical grade bubble.



**RHOPTFLENS**  
Housing with  
Flat Window



**RHOPTDOME**  
Housing with  
Optical Grade  
Bubble

The housing can be installed in plenum or non-plenum ceilings. The housing has a hole for 1/2-inch conduit.

## Customer Support

Because customer requirements dictate the placement of the housing, your Sensormatic representative will supply this information separately.

## If you need assistance...

If you need assistance, contact your Sensormatic Representative.

## Installation

### Parts Required

Install Kit 0352-0013-01

Template, Ceiling Hole	1	2402-2054-02
Nut, Locking, M6	4	5826-0500-020
Washer, Flat, M6	4	5840-0500-020
Mounting Arm, Pan/Tilt	1	1400-0059-02
Clamp, Romex, .50" Dia.	1	6010-0036-01
Mounting Bracket, Short	1	0500-9865-01
Mounting Bracket, Long	1	0500-9866-01
Screw, M6x12	3	5801-4074-511
Cap, Connector Mounting	1	0500-9867-01
Chain, Navy	12FT.	2898-0002
S Hook, ST	2	2897-0004
Washer, Flat, .344x.625x.063	1	2848-6300-02
Washer, Flat, 5/16	1	2847-0101-01

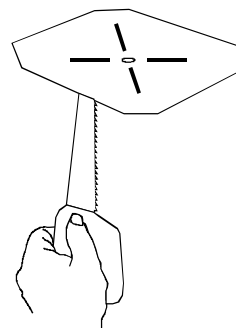
### Tools Required

- Phillips Head Screwdriver
- Metric driver set and a adjustable wrench
- Pliers
- Small hand saw
- 7/16" boxed end wrench
- 1/2" adjustable wrench

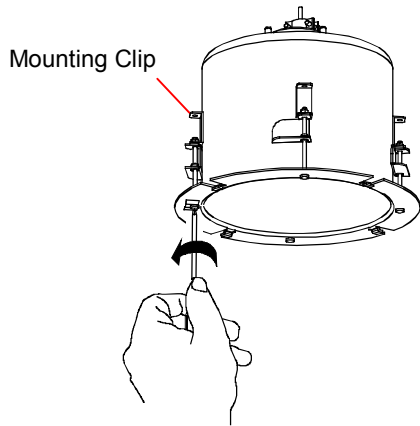
### Procedure

Use the following steps when attaching the housing to a ceiling.

1. Using the template supplied, cut a hole in the ceiling. Run power and video cables to hole.



- The housing has four “swing out” mounting clips. On the ground, adjust all four clips for the ceiling thickness.



- Run video and power cables through the housing.

**IMPORTANT! DO NOT ASSEMBLE CAMERA MOUNT AND THE CABLE CLAMP (IF USED) TO THE HOUSING AT THIS TIME!** Leave these parts loose; they will be assembled in step 5.

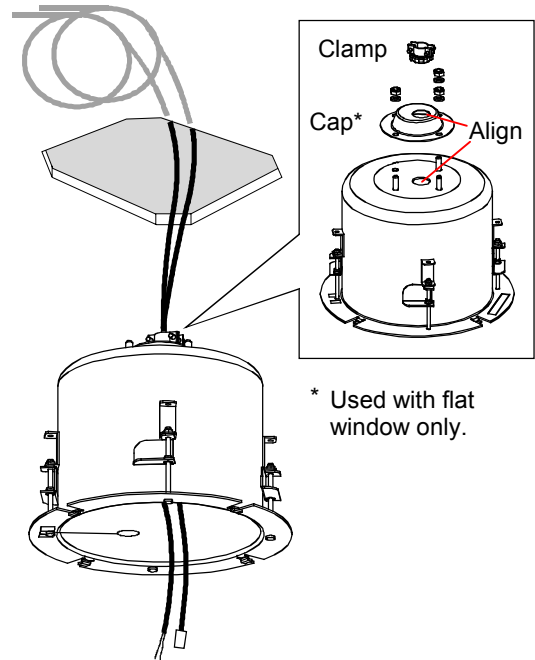
- Non-plenum ceilings:**

- *Housing with flat window:* Thread the cable clamp into the hole in the cap. Then secure the cap to the housing using three M6x12 screws, flat washers, and locking nuts. Run cables through the cable clamp.
- *Housing with bubble:* The cap is not used. Thread the cable clamp into the hole in the top of the housing. Then run cables through the cable clamp. Close the three holes reserved for the cap using three M6x12 screws, flat washers, and locking nuts.

- Plenum Ceilings:**

- *Housing with flat window:* Thread the conduit into the hole in the top of the cap. Then secure the cap to the housing using three M6x12 screws, flat washers, and locking nuts. Run cables through the conduit.
- *Housing with bubble:* The cap is not used. Thread conduit into the hole in the top of the housing. Then run cables through the conduit. Close the three holes reserved for the cap using three M6x12 screws, flat washers, and locking nuts.

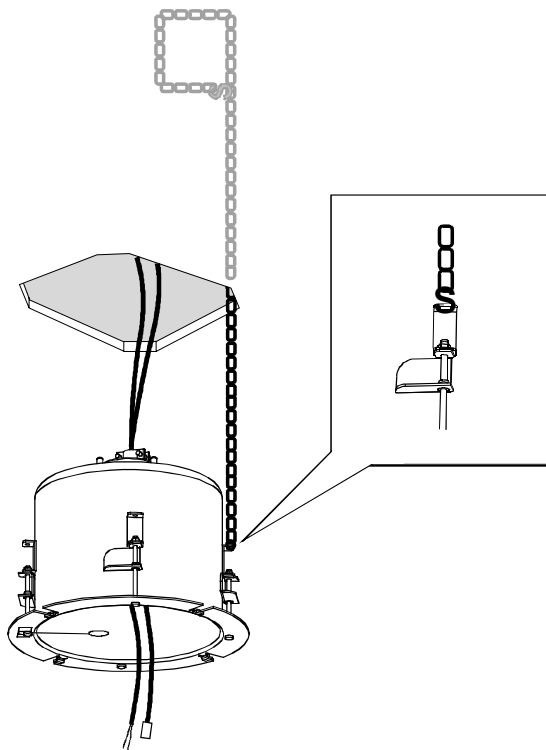
Leave enough excess cable above the housing to drop the camera for servicing. The housing using the flat window also uses a cap.



4. Using safety chain, attach the housing to a strong structural ceiling member as follows:
  - a. Attach an S-hook to the safety chain, then attach the S-hook to the housing where shown. Close the ends of the S-hook!
  - b. Run the other end of the chain through the hole in the ceiling and wrap it around the structural ceiling member immediately above housing and pull the chain taut.
  - c. Attach the end of the chain to itself using another S-hook. Close the ends of the S-hook!
  - d. Ensure the chain is taut!

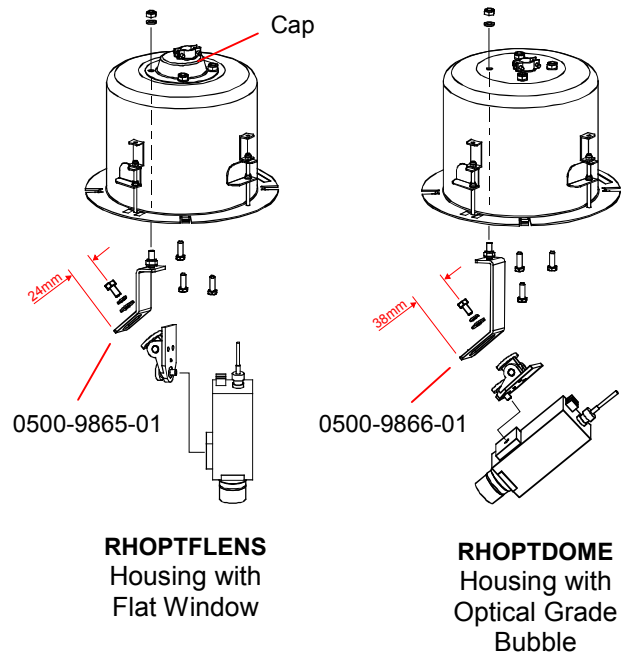


**Warning!** Keep the chain taut as possible. Close both ends of each S-hook. Do not secure to any component of a fire control system.

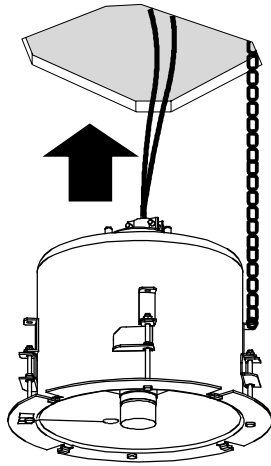


5. Affix the camera to the appropriate mounting bracket. Then connect the camera to the power and video cables.
  - Ensure the power LED at the rear of the camera is lit.
  - Ensure camera controls are set according to the instructions supplied with the camera.

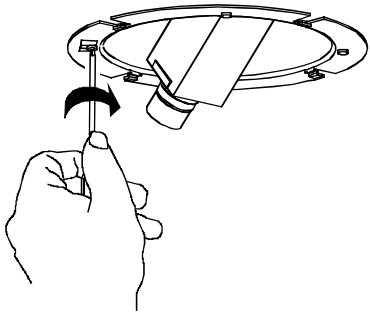
Using an M6 nut driver or wrench, fasten the camera/mounting bracket assembly to the housing using a nut and washer supplied.



6. Insert the housing into the ceiling.

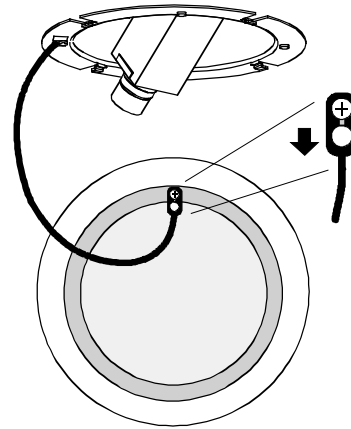


7. Turn each of four locking screws clockwise to fully extend the “swing out” mounting clips and to seat them tightly against the top surface of the ceiling.

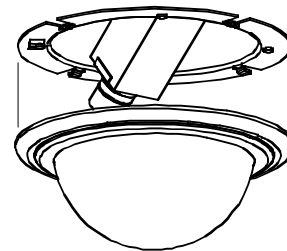


8. Position the camera and ensure it operates as desired. Tighten the camera mount.

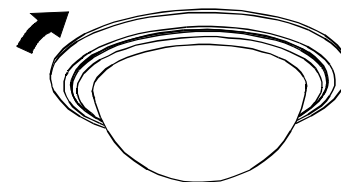
9. Place the large hole at the end of the lanyard over the screw head of the flat window or bubble (shown). Loop the lanyard to the inside of the housing and pull its end to snap it in place.



10. Center the flat window or bubble (shown) over the housing and align its tabs with the mating tabs in the housing.



11. Turn the flat window or bubble (shown) clockwise until it catches the tabs and stops.



## Specifications

Housing ..... Black anodized aluminum (1100), 1.5mm thick deep drawn

Bubble ..... Smoked acrylic optical grade, 1.6 mm thick

Flat window ..... Smoked acrylic optical grade, 1.6 mm thick

Housing with bubble  
Dimensions (H x D)

Total ..... 252.9 x 245 mm  
(9.96 x 9.95 in.)

Above ceiling ..... 158 x 187.6 mm  
(6.23 x 7.39 in.)

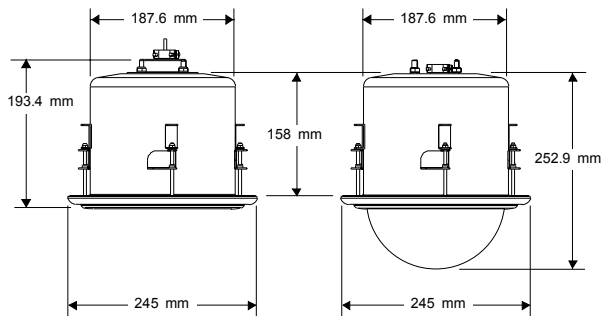
Below ceiling ..... 94.9 x 245 mm  
(3.74 x 9.65 in.)

Housing with flat window  
Dimensions (H x D)

Total ..... 193.4 x 245 mm  
(7.62 x 9.95 in.)

Above ceiling ..... 158 x 187.6 mm  
(6.23 x 7.39 in.)

Below ceiling ..... 35.4 x 245 mm  
(1.40 x 9.65 in.)



Weight ..... 1.32 kg (2.90 lbs)

## Lens vs. Bubble Compatibility

**Note:** All lenses in the chart below are compatible with the ADC732(X) and ADC762(X) cameras.

To be used with Flat Lens Option	Model	Description
	L0412NI	1/3 in., 4 mm, FI, f1.2
	L0812NI	1/3 in., 8 mm, FI, f1.2
	L0412CS	1/3 in., 4 mm, MI, f1.2
	L0812CS	1/3 in., 8 mm, MI, f1.2
	LD0412CS	1/3 in., 4 mm, DC, f1.2
	LD0812CS	1/3 in., 8 mm, DC, f1.2
To be used with Bubble Option	L0412NI	1/3 in., 4 mm, FI, f1.2
	L0812NI	1/3 in., 8 mm, FI, f1.2
	L0412CS	1/3 in., 4 mm, MI, f1.2
	L0812CS	1/3 in., 8 mm, MI, f1.2
	LD0412CS	1/3 in., 4 mm, DC, f1.2
	LD0812CS	1/3 in., 8 mm, DC, f1.2
	LD35814CS	1/3 in., 3.5-8 mm, DC, f1.4
	L2616CS	1/3 in., 2.6 mm, MI, f1.6

---

## Declarations

### Regulatory Compliance

Safety ..... UL 1950

### Other Declarations

**WARRANTY DISCLAIMER:** Sensormatic Electronics Corporation makes no representation or warranty with respect to the contents hereof and specifically disclaims any implied warranties of merchantability or fitness for any particular purpose. Further, Sensormatic Electronics Corporation reserves the right to revise this publication and make changes from time to time in the content hereof without obligation of Sensormatic Electronics Corporation to notify any person of such revision or changes.

**LIMITED RIGHTS NOTICE:** For units of the Department of Defense, all documentation and manuals were developed at private expense and no part of it was developed using Government Funds. The restrictions governing the use and disclosure of technical data marked with this legend are set forth in the definition of “limited rights” in paragraph (a) (15) of the clause of DFARS 252.227.7013. Unpublished - rights reserved under the Copyright Laws of the United States.

**TRADEMARK NOTICE:** Sensormatic, and the Sensormatic logo are trademarks or registered trademarks of Sensormatic Electronics Corporation.

No part of this guide may be reproduced in any form without written permission from Sensormatic Electronics Corporation.

MDR 08/01