

Adapter Bracket for Indoor SpeedDome Housings

The following procedure explains how to use an adapter bracket to mount the dome's base in an existing indoor SpeedDome housing.

Mounting Structure and Install Kit Required

01RHSDA Adapter Bracket*

Adapter bracket assembly	1	0400-0868-01
Small Skirt, Inside Bubble	1	0500-7411-01
Large Skirt	1	0400-0866-01
Tape, Foam	2.5 FT	3200-0214-01

*Only parts used in this procedure is listed.

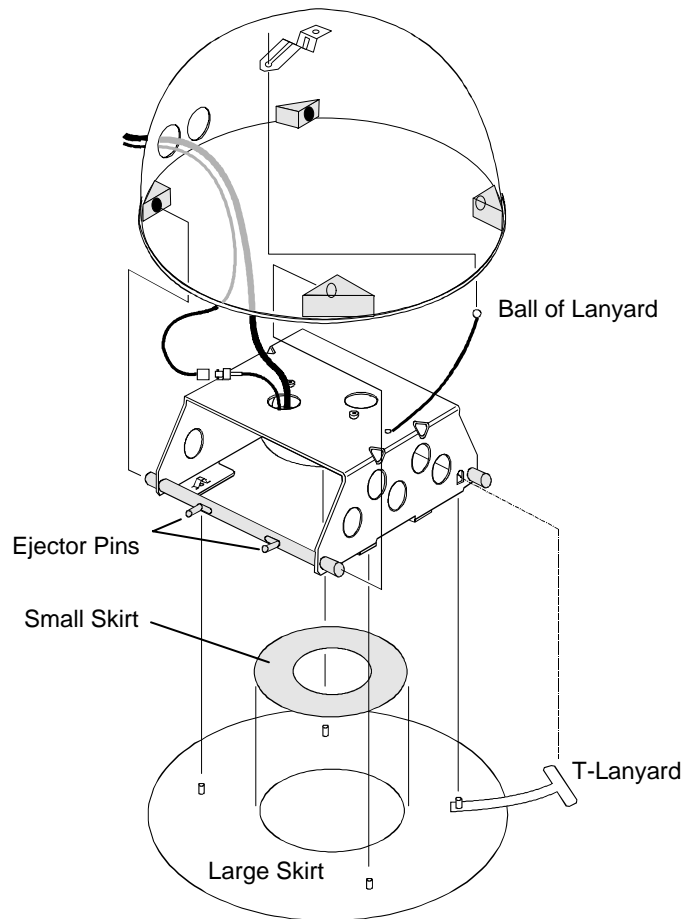
Procedure

1. Feed cables as shown, then attach the adapter bracket to the existing dome housing.
 - a. Seat the ball of the lanyard hanging from the adapter bracket into the bracket at the top of the housing.
 - b. Squeeze the spring-loaded ejector pins together to seat the adapter bracket in the four corner receptacles of the housing.
 - c. If required, rest the small skirt inside the large skirt.
2. If required, attach the large skirt or bubble to the adapter bracket.

Large skirt: Insert the T-lanyard into the receptacle of the bracket and ensure that both ends of the "T" fully extend once inserted. Then snap the large skirt into place.

Bubble: Insert the T-lanyard into the receptacle of the bracket and ensure that both ends of the "T" fully extend once inserted. Then run foam tape along the inside rim of the bubble and rest the edge of the small skirt against the tape.

SKIRT ATTACHMENT



BUBBLE ATTACHMENT

