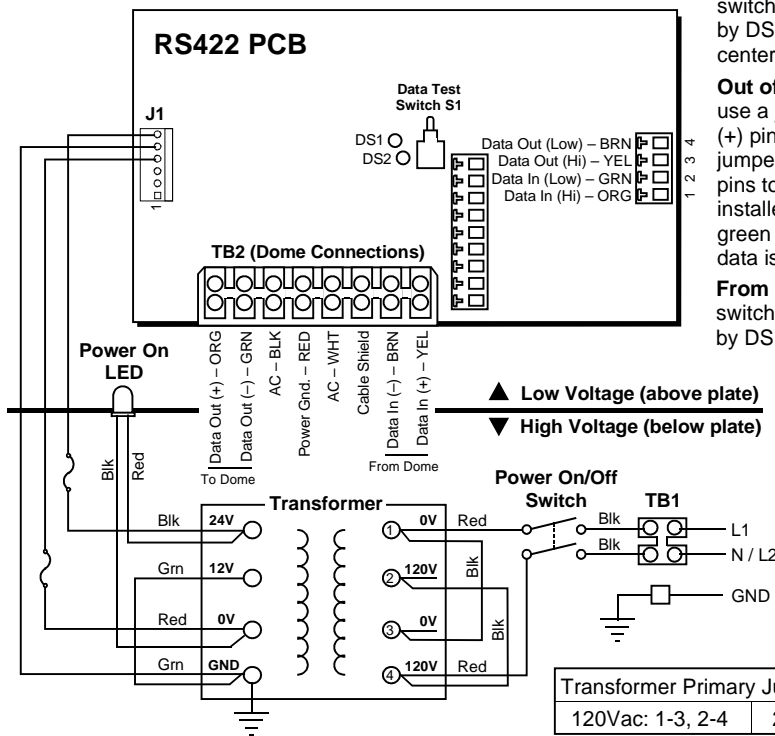




See Installation Instructions Before Connecting to the Supply.

Beachten Sie Die Einbauanleitungen bor Anschluß zur Stromversorgung.

VOIR LA NOTICE D'INSTALLATION AVANT DE RECCORDER AU RÉSEAU.



Transformer Primary Jumper Settings	
120Vac: 1-3, 2-4	240Vac: 2-3

Testing Data

Into J-Box: Press and hold switch S1. Good data is indicated by DS1 glowing green and its center flashing red.

Out of J-Box: On connector TB2, use a jumper to connect both Data (+) pins together. Use another jumper to connect both Data (-) pins together. If wiring is properly installed from controller to J-box, green LED blinks to indicate data is present.

From Domes: Press and hold switch S1. Good data is indicated by DS1 glowing green and its center

flashing red constantly as the controller polls each dome. DS2 flashes red for each dome that answers through J-box. It can take up to 1 minute to poll all dome addresses, and that long for DS2 to flash if only one dome is connected to the J-box.

Caution: To reduce the risk of fire, replace fuses only with the same type and rating (3.15A type IEC127, sheet III). The part number of the fuse is 5111-0017-21.