

# RH2x2 Ceiling Mount

## Installation Guide

### Regulatory Compliance: Safety UL1950

The RH2X2 ceiling mount is used to mount a SpeedDome Optima camera dome in a 2x2 suspended ceiling. This guide explains how to assemble and install this mounting structure.

### Parts Supplied

#### Install Kit 0351-1687-01

|                                       |   |              |
|---------------------------------------|---|--------------|
| Turnbuckle w/Hook & Eye, 4.5in, 10-24 | 4 | 2897-0006-01 |
| Hanging Wire, 12GA, 3.7m (12ft)       | 4 | 2898-0007-01 |
| Clip, T-Bar                           | 4 | 1400-0033-01 |

#### Install Kit 0351-1688-01

|                     |   |           |
|---------------------|---|-----------|
| Chain, Safety, 12FT | 1 | 2898-0002 |
| S-Hook              | 2 | 2897-0004 |

#### Install Kit 0351-1673-01

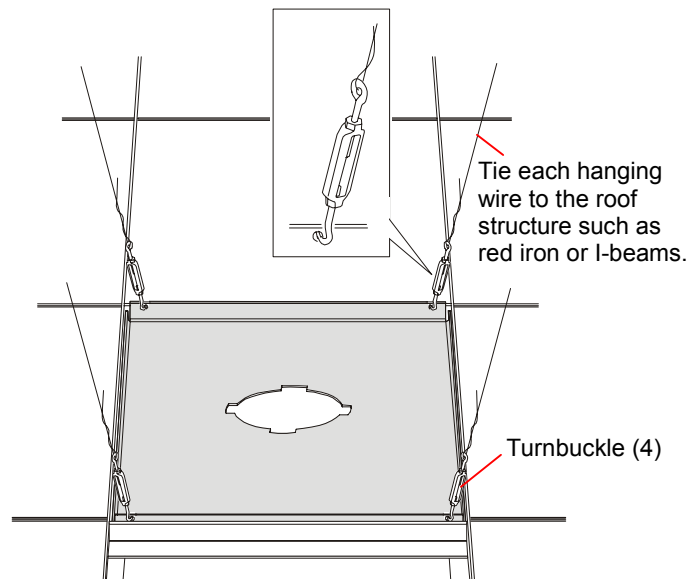
|              |   |              |
|--------------|---|--------------|
| T-Bar        | 1 | 0500-0263-01 |
| Tab          | 2 | 0500-0264-04 |
| Instructions | 1 | 8000-2753-22 |

## Procedure

**Note:** If placing the ceiling mount into a 2 x 4 foot opening, use install kit 0351-1673-01. See instructions supplied with the kit.

1. Steps a through f refer to Figure 1.
  - a. Remove the ceiling tile to create an opening where the mounting plate for the ceiling mount will go. Also remove adjacent tiles on both sides of the opening to facilitate access to cables.
  - b. Thread each of four hanging wires around a roof structure nearest the four corners of the opening such as red iron or I-beams (DO NOT attach to pipes or conduit). Twist each wire around itself at least four times to secure it to the roof structure.
  - c. Remove four turnbuckles from the kit and extend the hook and eye of each one all the way.
  - d. Insert the hook of the turnbuckle into each of four holes in the mounting plate. Using pliers, crimp the hook to affix the turnbuckle to the plate.
  - e. Tilt the mounting plate to get it above the opening, then drop it in place.
  - f. Straighten each hanging wire, then thread it through the eye of the turnbuckle closest to it and twist it around itself at least four times.

Figure 1.



2. As shown in Figure 2, the dome housing has a cable connection cover that accepts cable or 1/2" or 3/4" conduit (see diagram on next page). Local regulation may determine which is used.

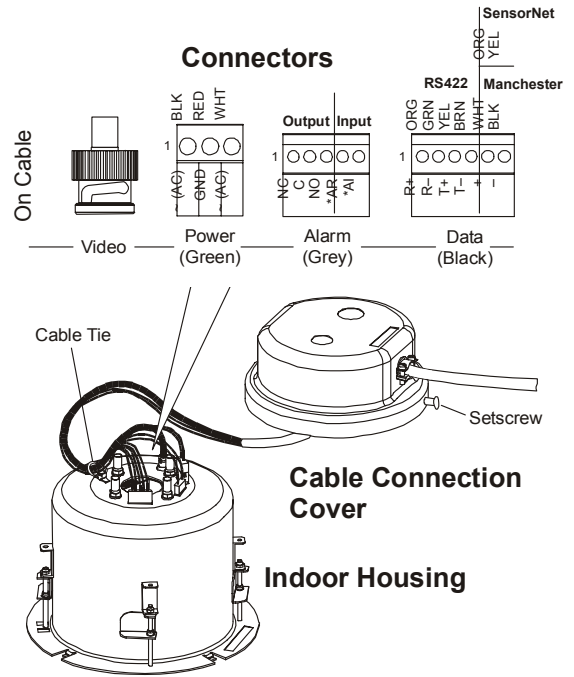
- a. If using conduit, remove the knockout (1/2" or 3/4"), and connect the conduit, and run the cable through the conduit. If not using conduit, connect the Romex clamp and nut assembly supplied to one of the 1/2" knockouts on the side of the cover, then run cable through the knockout and tighten the clamp.
- b. Wire colors refer to cables supplied by Sensormatic. Attach color-coded power, data, and alarm connectors to the cables in the ceiling. Use the screwdriver supplied with the dome to tighten connector screws. DO NOT over tighten the connectors! Also attach a BNC connector to the video cable.



**WARNING!** Ensure power is off at the source during the cable connection process. Applying power to the dome during this time will cause it to operate during installation.

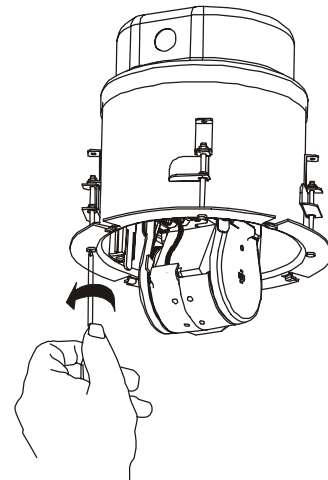
- c. Plug connectors (color-to-color, except video) into connectors in the top of the dome housing.
- d. Secure cables to the dome using the cable tie supplied.
- e. Place the cable connection cover over the dome housing and tighten the setscrew.

Figure 2.



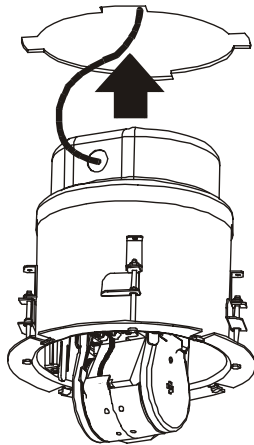
3. For ease of installation, turn each of four locking screws in the dome housing counter-clockwise to raise "swing out" mounting clips so they accommodate the thickness of the mounting plate (Figure 3).

Figure 3.



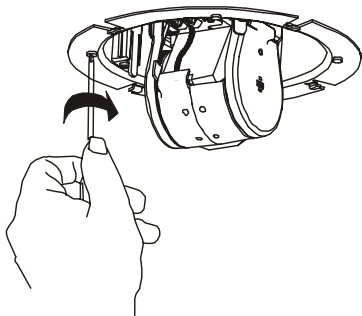
4. Insert the dome housing into the hole in the mounting plate (Figure 4).

Figure 4.



5. Turn each of four locking screws clockwise to fully extend the “swing out” mounting clips and to seat them tightly against the top surface of the mounting plate (Figure 5).

Figure 5.



6. As shown in Figure 6, attach the dome housing to a strong structural ceiling member as follows:

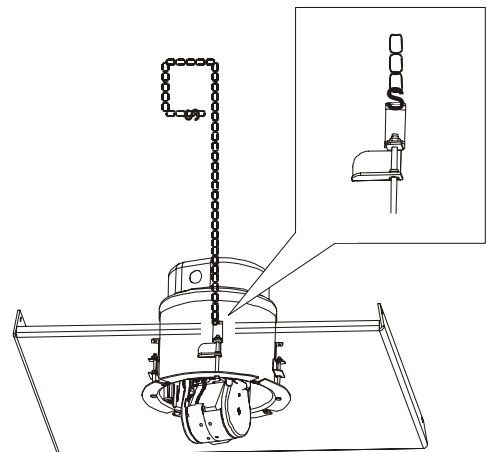
- a. Attach an S-hook to the safety chain and attach its other end to the dome where shown. Close the ends of the S-hook!
- b. Wrap the other end of the chain around a structural ceiling member immediately above the dome and pull the chain taut (see WARNING below).
- c. Attach the end of the chain to itself using another S-hook. Close the ends of the S-hook!



**WARNING!** Keep the chain taut as possible. Close both ends of each S-hook. Do not secure to sprinkler head of fire control system.

Once tightened, the chain should support the ceiling mount, not the ceiling T-bars.

Figure 6.



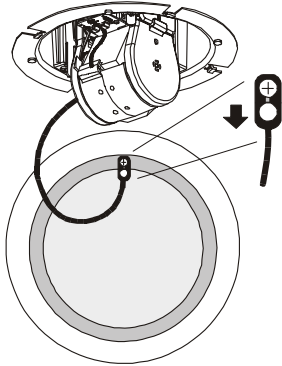
7. Referring back to Figure 1, turn screws of each turnbuckle to tighten hanging wires. Tighten until the mounting plate slightly touches T-bars on all four sides, but not so much that a gap shows between the plate and the T-bar. Hanging wires should be taut!



**WARNING!** Adjust turnbuckles to keep hanging wire taut! Once tightened, hanging wires should support only the pendant mount, not the ceiling T-bars. Ensure structural members can support the mount!

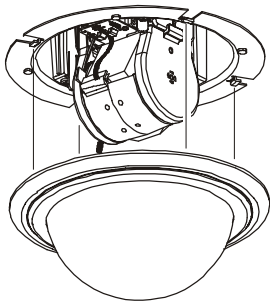
8. Use the four clips supplied to secure the mounting plate to the T-bars. Center one clip on each side of the plate.
9. Attach the bubble as follows:
  - a. As shown in Figure 7, place the large hole at the end of the lanyard over the screw head of the bubble. Loop the lanyard to the inside of the housing and pull its end to snap it in place.

Figure 7.



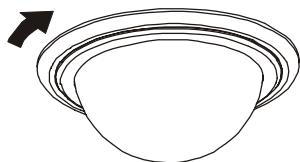
- b. Center the bubble over the dome housing and align its tabs with the mating tabs in the housing (Figure 8).

Figure 8.



- c. Turn the bubble clockwise until it catches the tabs and stops (Figure 9).

Figure 9.



## Declarations

Thank you for using American Dynamics products. We support our products through an extensive and worldwide network of dealers. The dealer, through whom you originally purchased this product, is your point of contact if you have a need for service or support. Our dealers are fully empowered to provide the very best in customer service and support. Dealers should contact American Dynamics at (800) 507-6268 or (561) 912-6259 or on the web at [www.americandynamics.net](http://www.americandynamics.net).

**WARRANTY DISCLAIMER:** Sensormatic Electronics Corporation makes no representation or warranty with respect to the contents hereof and specifically disclaims any implied warranties of merchantability or fitness for any particular purpose.

**NOTICE:** The information in this manual was current when published. The manufacturer reserves the right to revise and improve its products. All specifications are therefore subject to change without notice.

**LIMITED RIGHTS NOTICE:** For units of the Department of Defense, all documentation and manuals were developed at private expense and no part of it was developed using Government Funds. The restrictions governing the use and disclosure of technical data marked with this legend are set forth in the definition of "limited rights" in paragraph (a) (15) of the clause of DFARS 252.227.7013. Unpublished - rights reserved under the Copyright Laws of the United States.

**TRADEMARK NOTICE:** *American Dynamics* and *Sensormatic* are trademarks or registered trademarks of Sensormatic Electronics Corporation. Other product names mentioned herein may be trademarks or registered trademarks of Sensormatic or other companies.

**COPYRIGHT:** Under copyright laws, the contents of this manual may not be copied, photocopied, reproduced, translated or reduced to any electronic medium or machine-readable form, in whole or in part, without prior written consent of Sensormatic Electronics.

MDR 1/04