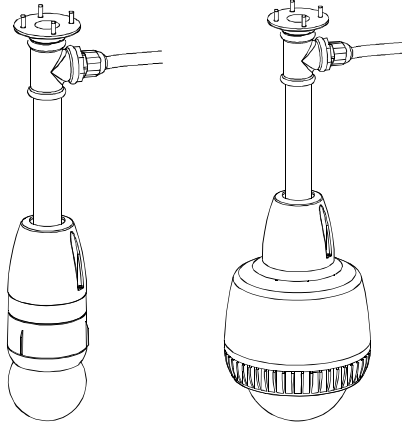


RHINCM Indoor Ceiling Mount

For SpeedDome® Ultra, DeltaDome and Optima Indoor Camera Domes



Parts Supplied

Cover	1	0500-9588-01
Support	1	0500-9641-02
O-Ring	1	2500-0022-07
Screw	2	0500-3494-01
Retainer	2	2852-0001-02
Gasket	1	0500-9801-01
Install Kit 0351-2136-01		
Anchor, M6, Wedge w/Hardware	4	2880-0108-01
Washer, Locking, M6	4	5846-0500-020
Tee, 1-1/4"	1	1417-0040-01
Nipple, 1-1/4"	1	1417-0041-01
Flange, 1-1/4"	1	1400-0069-01
Screw, M3, PPH	2	5801-1081-120
Wrench, Tamperproof, Torx	1	1400-0149-01
Bushing	1	1400-0047-01
Connector, Liquid-Tight	1	6010-0117-01
Tape, Teflon	1 roll	3200-0229-01

Part to Be Purchased

- 1-1/4" straight pipe or rigid conduit, 3m (10') maximum length with 1-1/4" NPT tapered external threads at both ends
- 3/4-inch conduit

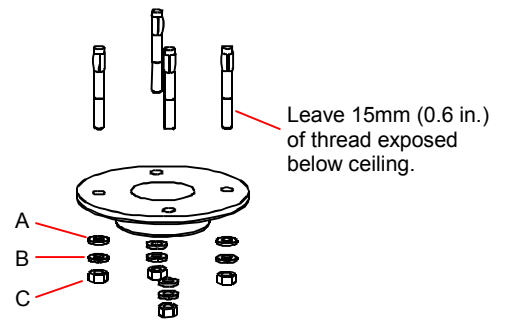
Tools Required

- Power Drill
- Hammer
- Pliers
- Socket Wrench Kit w/Extension (metric)

Procedure SpeedDome Ultra and DeltaDome Mounts

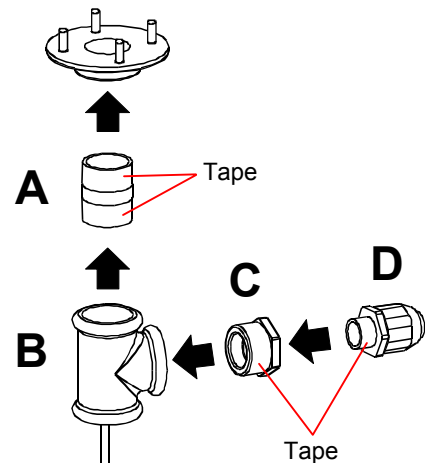
Note: SpeedDome Optima procedure begins on page 3.

- 1** Using the flange as a template, mark hole locations on ceiling, drill holes and install anchor hardware. Then attach anchor to ceiling using washers (A), lock washers (B), and nuts (C).



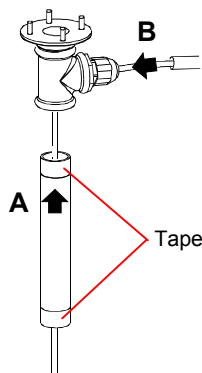
- 2** Cut four 300mm (12") lengths of Teflon tape. Holding the nipple (A) so that you are looking into its threaded end, tightly wrap a length of tape clockwise over threads so it conforms to the threads. Repeat for its other end. Also do this on outside threads of bushing (C) and liquid-tight connector (D).

Thread nipple (A) into the flange and the pipe tee (B) into the nipple, then bushing (C) into the tee and the liquid-tight connector (D) into the bushing.



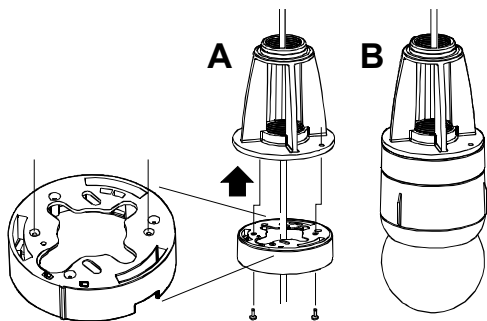
3

Cut two 300mm (12") lengths of Teflon tape. Holding straight pipe (A) so that you are looking into its threaded end, tightly wrap a length of tape clockwise over threads so it conforms to the threads. Repeat for the straight pipe's other end. Insert straight pipe (A) into pipe tee, route cable (B) through tee and pipe, then connect conduit.



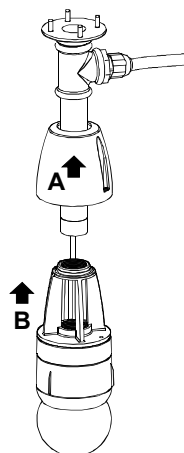
4

Run cable through the support and attach mounting base to the support using two screws from below (A). Then connect cable to dome and attach dome to the base following instructions supplied with the dome (B).



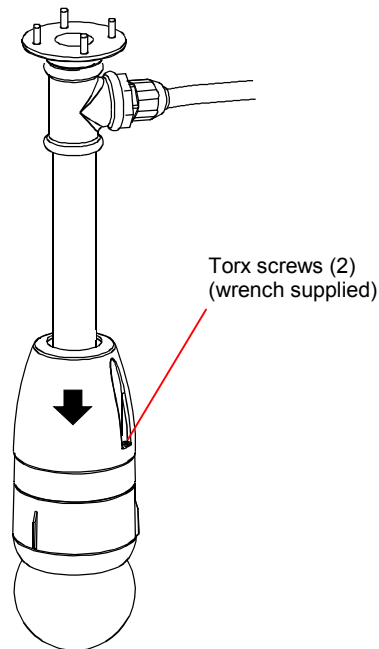
5

Place cover (A) over straight pipe and thread dome support (B) to straight pipe.



6

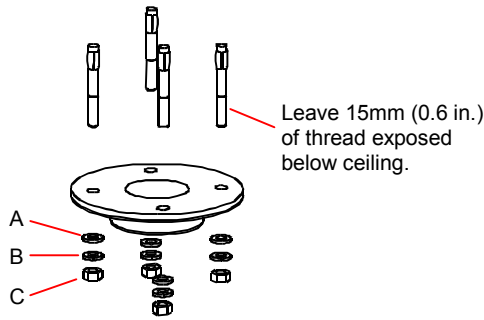
Lower the cover and secure it to the top of the dome.



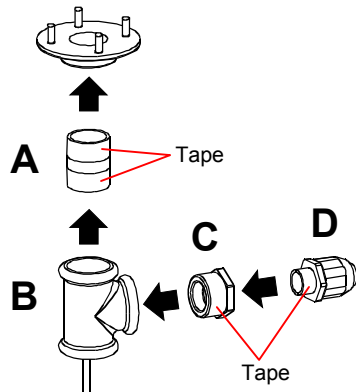
Procedure

SpeedDome Optima Mount

1 Using the flange as a template, mark hole locations on ceiling, drill holes and install anchor hardware. Then attach anchor to ceiling using washers (A), lock washers (B), and nuts (C).

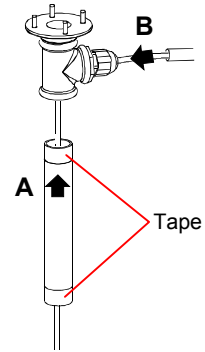


2 Cut four 300mm (12") lengths of Teflon tape. Holding the nipple (A) so that you are looking into its threaded end, tightly wrap a length of tape clockwise over threads so it conforms to the threads. Repeat for its other end. Also do this on outside threads of bushing (C) and liquid-tight connector (D). Thread nipple (A) into the flange and the pipe tee (B) into the nipple, then bushing (C) into the tee and the liquid-tight connector (D) into the bushing.

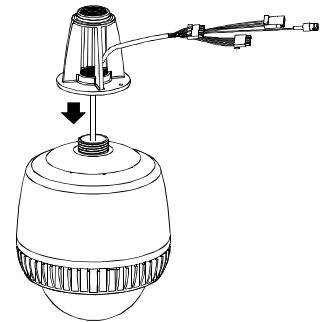


3 Cut two 300mm (12") lengths of Teflon tape. Holding straight pipe (A) so that you are looking into its threaded end, tightly wrap a length of tape clockwise over threads so it conforms to the threads. Repeat for the straight pipe's other end.

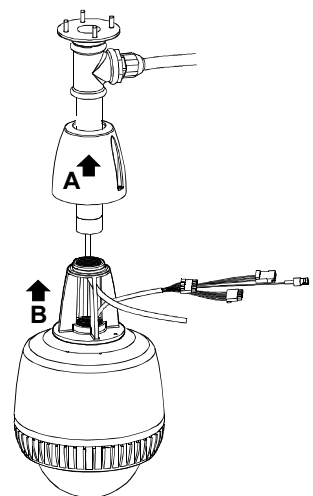
Insert straight pipe (A) into pipe tee, route cable (B) through tee and pipe, then connect conduit.



4 On ground, route pigtail cables from dome through the support. Then thread the support onto the dome.

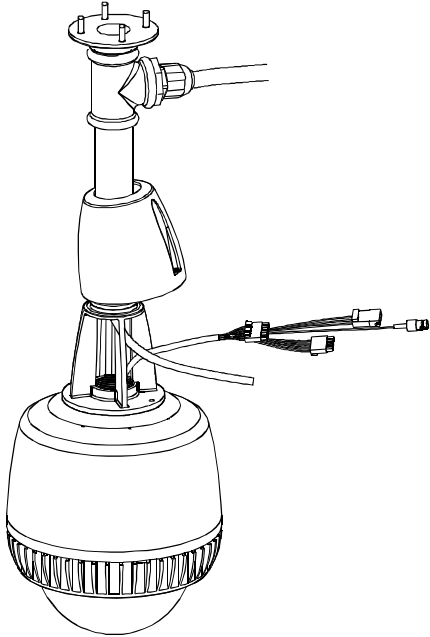


5 Place cover (A) over straight pipe, and thread dome support (B) to straight pipe.



6

Raise and angle the cover so it lays on the support. Then connect cables.



7

Lower the cover and secure it to the top of the dome.

