

Installation Guide

Installing the RHIU2X2 Ceiling Mount

The RHIU2X2 ceiling mount is used to mount the SpeedDome Ultra camera dome in 2 x 2 drop-tile ceilings. This guide explains how to assemble and install this mounting structure.

Install Kit Supplied

Install Kit 0351-1523-01, which includes:

a)	Eyebolt, 10-24 x 1-3/4"	1	2882-0112
b)	Washer, Flat, Std, M5	2	5840-0400-020
c)	Nut, Locking, 10-24	1	2838-9154-05
d)	Tape, Foil, .002" x 2"	4 FT	3200-0115-01
e)	Nut, Locking, M3	2	5826-0200-020
f)	Clip, T-Bar	4	1400-0033-01
g)	S-Hook, Open	2	2897-0004
h)	Chain, Sash	6 FT	2898-0002
i)	Skirt assembly, top hat	1	0400-0880-01

Procedure

Note: Letters in brackets [] refer to items in kit.

1. Attach eyebolt to top hat housing.

As shown in Figure 1, insert eyebolt [a] into one of the wide slots in the top of the housing. From inside the housing, secure the eyebolt using washers [b] and nut [c].

2. Cover slots in top of housing, if necessary.

If local building codes require it, use a piece of aluminum tape [d] to cover slots.

3. Insert 2 x 2 panel into drop tile opening.

See Figure 2. For easy access, remove tiles surrounding opening where the ceiling mount is to be installed. Tilt the assembly to get it above the opening, then drop in place.

4. Secure assembly.

As shown in Figure 2, use four T-bar clips [f] to secure each side of the panel to its adjacent T-bar. Feet on clips face the top hat housing.

Attach an S-hook [g] to the eyebolt and to a strong ceiling member. Connect chain [h] between the two S-hooks, then close both ends of each S-hook.

(over)

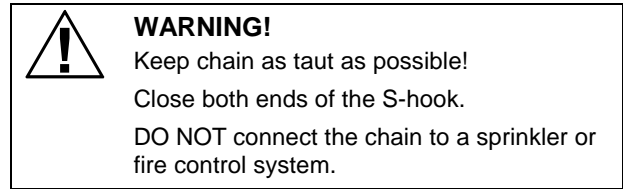


Figure 1

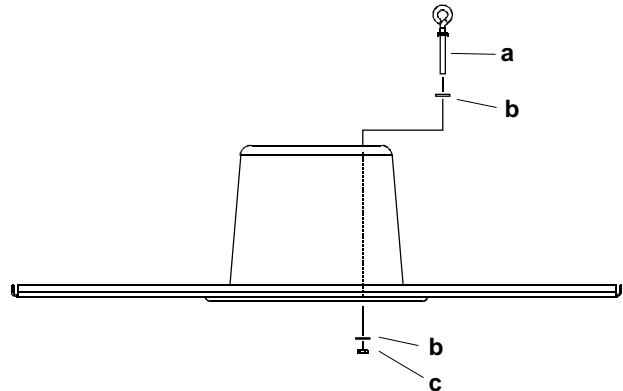
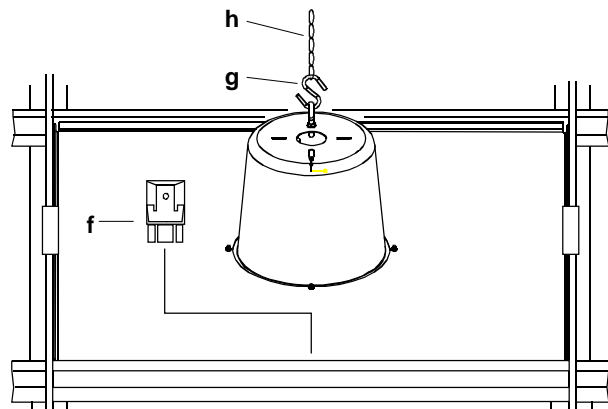



Figure 2



5. Take the skirt's T-lanyard and bend one end of the "T" as shown (Figure 3, step 1).
6. Insert the T-lanyard into the slot in the top hat housing until both ends of the "T" extend and catch securely (Figure 3, step 2).

 **WARNING!**
Insert T-lanyard exactly as shown to ensure the skirt is securely attached. Ensure that the "T" extends once inserted.

7. Attach the skirt to the bottom of the top hat housing (Figure 3, step 3). It is magnetically held in place.

Figure 3

