

RHIUHC Hard Ceiling Mount Bracket

Installation Guide

Regulatory Compliance: Safety UL1950

The RHIUHC hard ceiling bracket enables the top hat housing to be recessed in ceilings .64–5.08cm (.25–2in) thick. The following procedure explains how to attach the bracket to the top hat housing and insert the entire assembly into the ceiling.

Required Tools

- Razor knife
- Phillips-head screwdriver (power driver)

Required Parts

RHIUTH Top Hat Housing

RHIUHC Hard Mount Bracket

a) Template, cutting (not shown)	1	8001-0466-01
b) Washer, flat, LOD, M6, SS	2	5842-0500-020
c) Screw, M6 x 60, PHP	2	5801-4171-111
d) Bracket, hard mount	1	0500-7959-01
e) S-Hook, open	2	2897-0004
f) Chain, sash	1.8m (6ft)	2898-0002
g) Clamp, Romex 1/2	1	6010-0036-01

Procedure

1. Using template [a], cut a 178 (± 1.5) mm or 7 ($\pm 1/16$) inch hole in the ceiling.
2. Attach the hard ceiling mount bracket.
 - a. Place a washer [b] on each screw [c].
 - b. From inside the top hat housing, insert screws through the large slots in the housing and mate them with the threaded holes in the hard ceiling mount bracket [d].
 - c. Turn screws a few turns so the bracket ends just touch the flange of the top hat. Keep the bracket loose until the assembly is mounted.
3. Feed cable(s) through the large hole in the bracket and the center hole in the top hat. Secure cable(s) using Romex clamp [g].

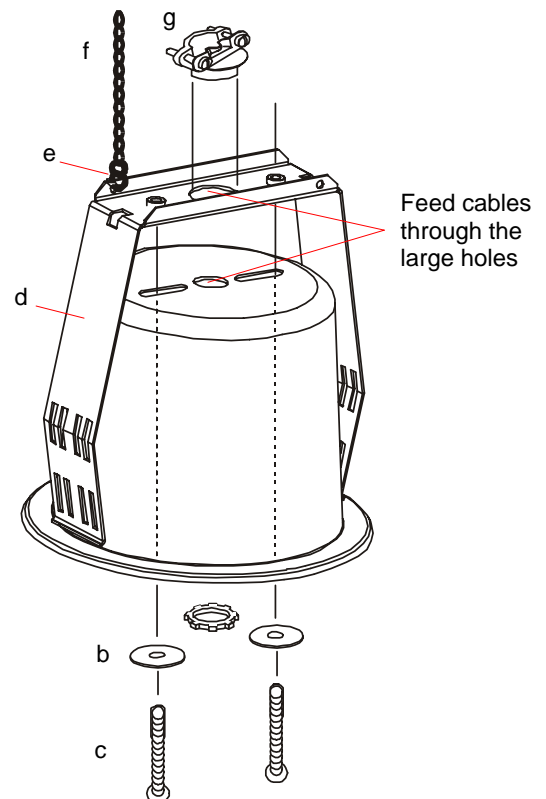
4. Attach safety chain.
 - a. Attach S-hook [e] to the mounting bracket.
 - b. Attach one end of safety chain [f] to a strong ceiling member. Attach the other end of the chain to the S-hook, making the length of the chain as short as possible to support the assembly just below the ceiling.
 - c. Close both ends of the S-hook.



WARNING! Do not secure to any component of a sprinkler or fire control system!

5. Mount the assembly in the ceiling.
 - a. Insert the top hat assembly through the ceiling hole. The bracket will compress as it passes through the hole. Once above the ceiling, bracket will spring back to support the assembly.
 - b. Alternately turn each screw clockwise a few turns, until the top hat fits tightly against the bracket.

CAUTION: Tightening a screw too many turns without tightening the other can cause a bracket to pop out of position.



Declarations

Thank you for using American Dynamics products. We support our products through an extensive and worldwide network of dealers. The dealer, through whom you originally purchased this product, is your point of contact if you have a need for service or support. Our dealers are fully empowered to provide the very best in customer service and support. Dealers should contact American Dynamics at (800) 507-6268 or (561) 912-6259 or on the web at www.americandynamics.net.

WARRANTY DISCLAIMER: Sensormatic Electronics Corporation makes no representation or warranty with respect to the contents hereof and specifically disclaims any implied warranties of merchantability or fitness for any particular purpose.

NOTICE: The information in this manual was current when published. The manufacturer reserves the right to revise and improve its products. All specifications are therefore subject to change without notice.

LIMITED RIGHTS NOTICE: For units of the Department of Defense, all documentation and manuals were developed at private expense and no part of it was developed using Government Funds. The restrictions governing the use and disclosure of technical data marked with this legend are set forth in the definition of “limited rights” in paragraph (a) (15) of the clause of DFARS 252.227.7013. Unpublished - rights reserved under the Copyright Laws of the United States.

TRADEMARK NOTICE: *American Dynamics* and *Sensormatic* are trademarks or registered trademarks of Sensormatic Electronics Corporation. Other product names mentioned herein may be trademarks or registered trademarks of Sensormatic or other companies.

COPYRIGHT: Under copyright laws, the contents of this manual may not be copied, photocopied, reproduced, translated or reduced to any electronic medium or machine-readable form, in whole or in part, without prior written consent of Sensormatic Electronics.

MDR 1/04