

## RHIUTBAR T-Bar Clips

For attaching the base of a SpeedDome Ultra camera dome to the T-bar intersection of a tile ceiling.

### Install Kit Required

T-Bar Clip	2	0500-7193-01
Screw, PH, M3x8	6	5801-1051-120
Chain	12FT	2898-0002
S-hook	2	2897-0004

### Procedure

Referring to Figure 1:

1. Loosely attach T-bar clips to base using two screws each. Pivot screws are circled; they enable brackets to swing over flange of T-bar.
2. Loosely thread one screw into the mid-section of each T-bar clip.

Referring to Figure 2:

3. Swing T-bar clips over horizontal flange of T-bar. Tighten all screws to secure T-bar clips to T-bar.
4. Punch hole in ceiling tile over cable access area for cable access.
5. Remove adjacent ceiling tile to access T-bars above base.
6. Using chain and S-hooks, use a convenient hole in the T-bar to secure it to a structural ceiling member.

Figure 1. Mounting clip attachment

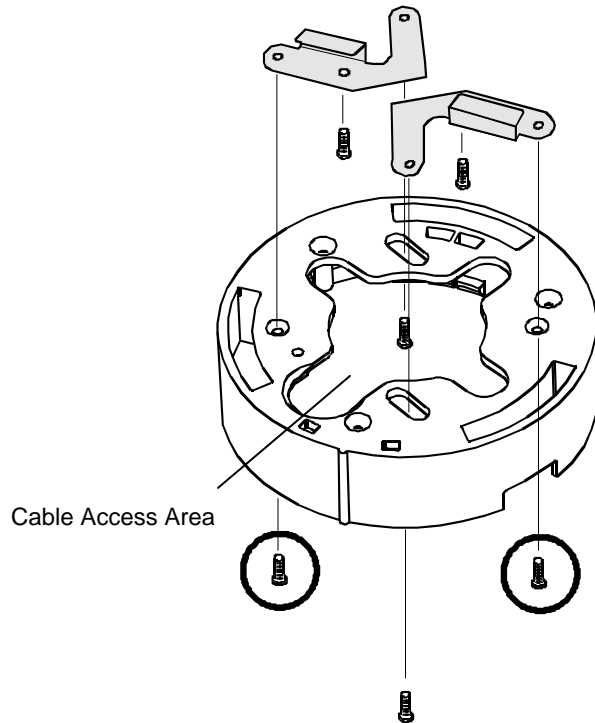


Figure 2. Base attachment to T-bar intersection

