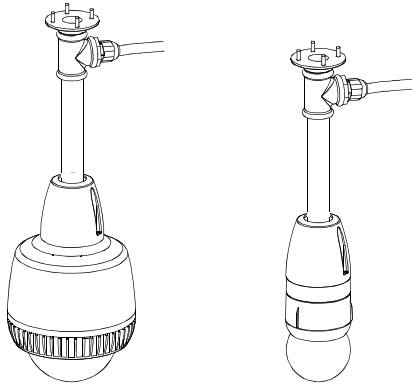


RHOPN Pendant Mount

For SpeedDome® Optima and Ultra
Indoor/Outdoor Housings

Installation Guide

Regulatory Compliance: Safety UL1950



Parts Supplied

Support	1	0500-9641-01
Cover	1	0500-9588-01
O-Ring	1	2500-0022-07
Screw	2	0500-3494-01
Retainer	2	2852-0001-02
Gasket	1	0500-9801-01
Install Kit 0351-2119-01		
Anchor, M6, Wedge w/Hardware	4	2880-0108-01
Washer, Locking, M6	4	5846-0500-020
Tee, 3.18cm (1-1/4in)	1	1417-0040-01
Nipple, 3.18cm (1-1/4in)	1	1417-0041-01
Flange, 3.18cm (1-1/4in)	1	1400-0069-01
Screw, M3X12	2	5801-1071-120
Wrench, Tamperproof, Torx	1	1400-0149-01
Bushing	1	1400-0047-01
Connector, Liquid-Tight	1	6010-0117-01
Tape, Teflon	1 roll	3200-0229-01

Parts to Be Purchased

- 3.2cm (1-1/4in) galvanized steel pipe, NPT threaded at both ends. This part meets UL safety standard UL 1950 up to a maximum length of 3m (10ft).
- 1.9cm (3/4in) conduit.

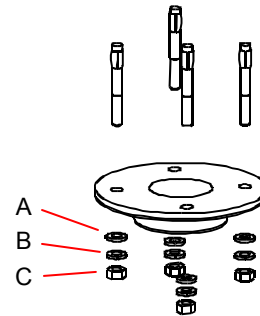
Tools Required

- Power Drill
- Hammer
- Pliers
- Socket Wrench Kit w/Extension (metric)

© 2005 Sensormatic Electronics Corp.

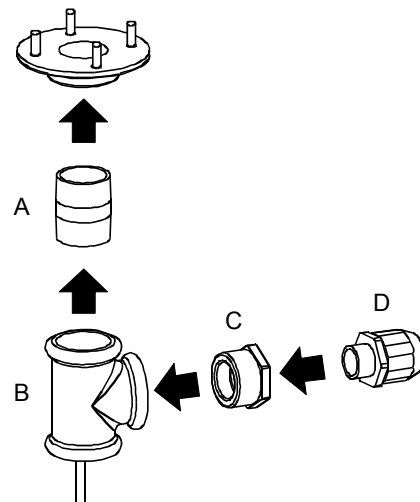
Procedure

1. If mounting to a steel I-beam, purchase I-Beam Mount RHIUIB. If mounting to a concrete ceiling, using the flange as a template, mark hole locations on ceiling, drill holes and install anchor hardware. Then attach anchor to ceiling using washers (A), lock washers (B), and nuts (C).



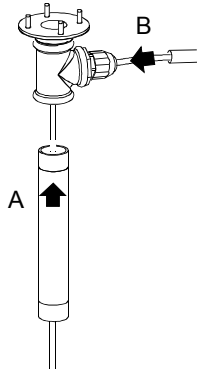
2. Cut four 30cm (12in) lengths of Teflon tape. Holding nipple (A), tightly wrap a length of tape clockwise over its threads. Repeat for its other end. Also do this on outside threads of bushing (C) and liquid-tight connector (D).

Thread nipple (A) into the flange and the pipe tee (B) into the nipple, then bushing (C) into the tee and the liquid-tight connector (D) into the bushing.



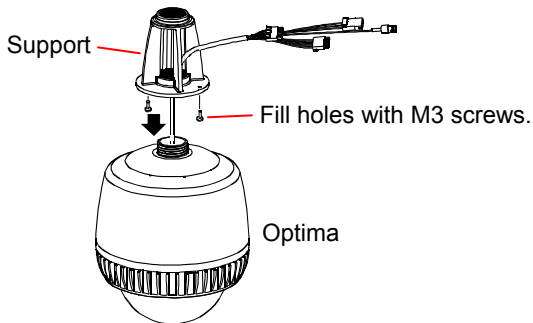
3. Cut two 30cm (12in) lengths of Teflon tape. Holding straight pipe (A) so that you are looking into its threaded end, tightly wrap a length of tape clockwise over threads so it conforms to the threads. Repeat for the straight pipe's other end.

Insert straight pipe (A) into pipe tee, route cable (B) through tee and pipe, then connect conduit.

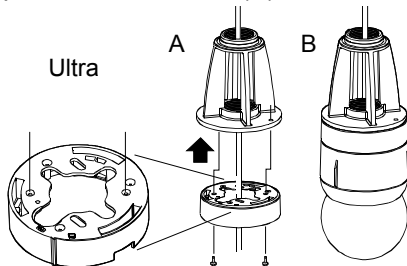


4. Perform A for Optima or B for Ultra.

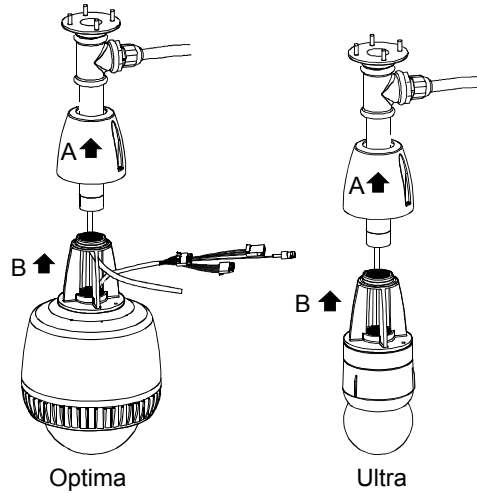
A. Route pigtail cables from the dome through the support. Then thread the support onto the dome. Use two M3 screws provided to fill the two empty holes in the support.



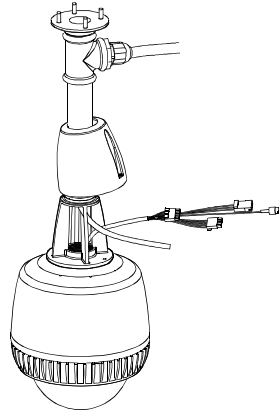
B. Run the cable through the support and attach the mounting base to the support using two M3X12 screws from below (A). Then connect the cable to the dome and attach the dome to the base following instructions supplied with the dome (B).



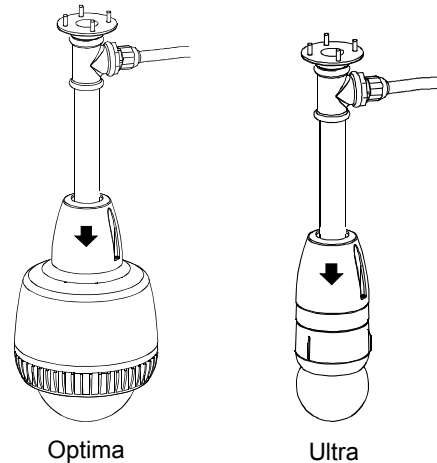
5. Slip cover (A) over the straight pipe, then thread dome the support (B) onto the pipe.



6. **Optima Only (for Ultra, skip to Step 7).** Raise and angle the cover so it lays on the support. Then connect cables. For cable connections, see instruction card supplied with the dome.



7. Lower the cover and secure it to the top of the dome.



Declarations

Thank you for using American Dynamics products. We support our products through an extensive and worldwide network of dealers. The dealer, through whom you originally purchased this product, is your point of contact if you have a need for service or support. Our dealers are fully empowered to provide the very best in customer service and support. Dealers should contact American Dynamics at (800) 507-6268 or (561) 912-6259 or on the web at www.americandynamics.net.

WARRANTY DISCLAIMER: Sensormatic Electronics Corporation makes no representation or warranty with respect to the contents hereof and specifically disclaims any implied warranties of merchantability or fitness for any particular purpose.

NOTICE: The information in this manual was current when published. The manufacturer reserves the right to revise and improve its products. All specifications are therefore subject to change without notice.

LIMITED RIGHTS NOTICE: For units of the Department of Defense, all documentation and manuals were developed at private expense and no part of it was developed using Government Funds. The restrictions governing the use and disclosure of technical data marked with this legend are set forth in the definition of “limited rights” in paragraph (a) (15) of the clause of DFARS 252.227.7013. Unpublished - rights reserved under the Copyright Laws of the United States.

TRADEMARK NOTICE: *American Dynamics* and *Sensormatic* are trademarks or registered trademarks of Sensormatic Electronics Corporation. Other product names mentioned herein may be trademarks or registered trademarks of Sensormatic or other companies.

COPYRIGHT: Under copyright laws, the contents of this manual may not be copied, photocopied, reproduced, translated or reduced to any electronic medium or machine-readable form, in whole or in part, without prior written consent of Sensormatic Electronics.

MDR/shf3/2005