

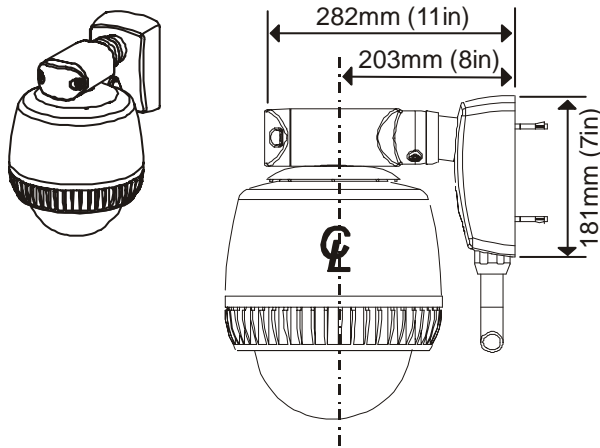
RHOSW (Short) / RHOLW (Long) Wall Mount

For SpeedDome® Ultra or SpeedDome®
Optima Indoor/Outdoor Housing

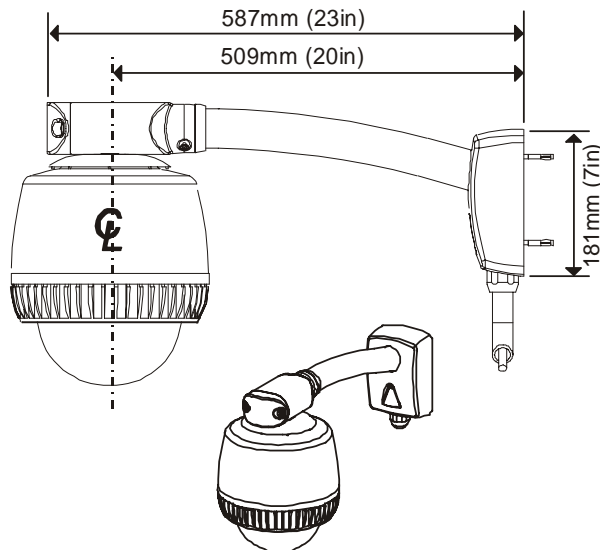
Installation Guide

Regulatory Compliance: Safety UL1950

RHOSW Short Wall Mount



RHOLW Long Wall Mount



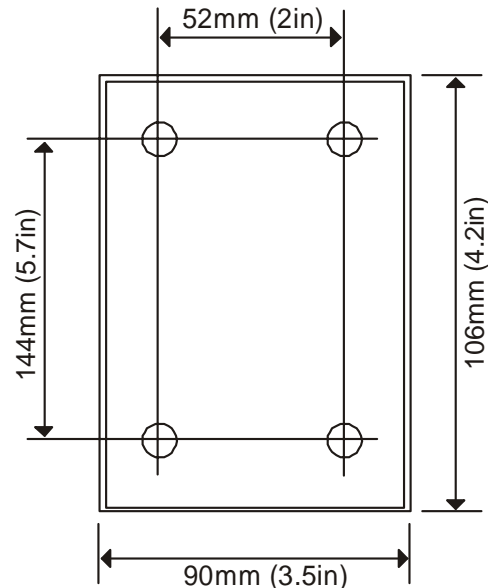
Parts Supplied

Bracket, Base	1	0500-9598-01
Short Arm (RHOSW only)	1	0500-9597-01
Long Arm (RHOLW only)	1	0500-9596-01
Cover	1	0500-9600-01
Screw	1	0500-8034-01
Adapter Pipe Assembly	1	0101-0051-01
Setscrew	2	2821-0010-01
Install Kit 0351-2006-01		
Anchor, M6, Wedge w/Hardware	4	2880-0108-01
6mm (1/4in) Locking Washer	4	2847-0101-10
Washer, Flat, Nylon	4	2848-0016-01
Screw, STAP	4	5810-5091-120
Washer, Locking, M6	4	5846-0500-020
Connector, Liquid-Tight	1	6010-0117-01
Plug, Foam	1	0505-0296-01
Wrench, Allen	1	1400-0112-06
Wrench, Tamperproof, Torx	1	1400-0149-01
Plug, Cover	1	0500-9738-01

Tools Required

- Teflon Tape
- Level
- Power Drill
- Hammer
- Pliers
- Socket Wrench Kit w/Extension (metric)

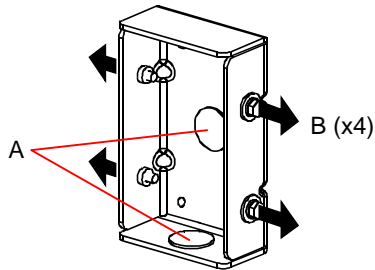
Mounting Dimensions for Base Bracket



Procedure

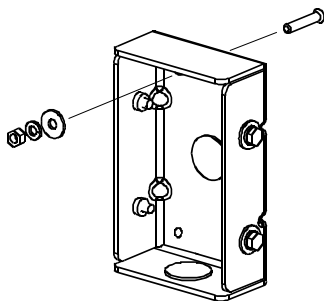
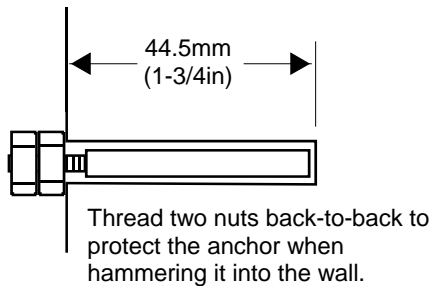
1. To prepare the bracket:

- A. Remove the knockout from either the back of the bracket or from its bottom.
- B. Loosen the four side screws and extend them out as far as they will go.



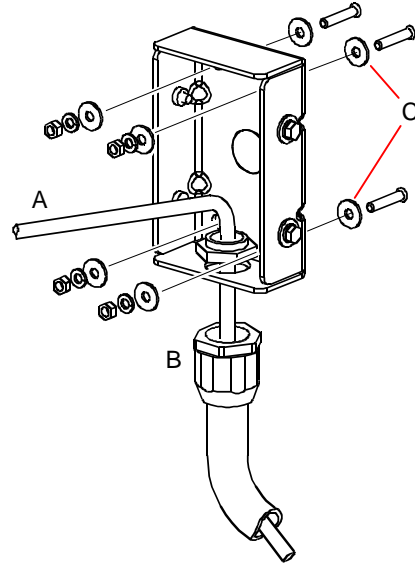
2. To facilitate leveling:

- A. Place the bracket in the desired mounting location and mark one mounting hole in the upper left or right of the bracket.
- B. At the mark, drill a 6mm (1/4in) hole 44.5mm (1-3/4in) deep using a drill bit and loosely attach the bracket using an M6 wedge anchor assembly (for concrete), or a screw, lock washer, flat washer and anchor (for drywall). If using anchors, see detail below.
- C. Level the bracket, tight the screw or nut, and mark the other mounting holes.
- D. Remove the one screw or anchor from the bracket, then drill the other three holes use a 6mm (1/4in) drill bit.

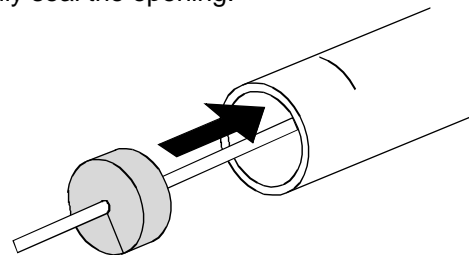


3. To attach the bracket:

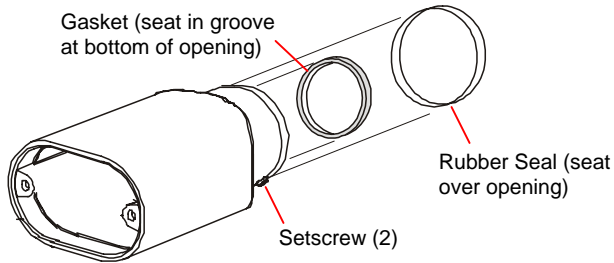
- A. Run cables exiting the conduit through the base bracket. Extend cables beyond the bracket about 71cm (28in).
- B. Attach 19mm (3/4in) conduit to the bracket using the liquid-tight connector supplied.
- C. Attach the bracket using the same hardware used earlier. Nylon washers are provided to compensate for irregularities in the wall surface. If not needed, discard.



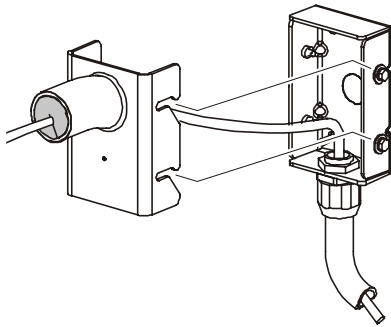
4. Route cables through the rear opening of the pipe assembly and out the front. Then slip the cable into the hole of the rubber dust plug and work the plug into the pipe opening. When done, the plug must be fully inserted and must fully seal the opening.



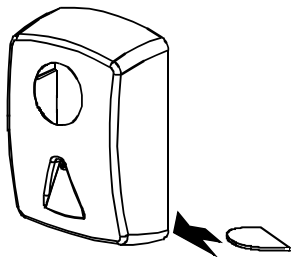
5. **IMPORTANT!** Thread two setscrews provided into the adapter pipe. Also, to prevent water intrusion, ensure the adapter pipe has the gasket and rubber seal preinstalled.



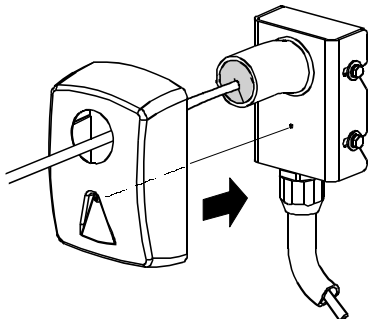
6. Place the pipe assembly (short arm shown) onto the base bracket and tighten the four screws.



7. If the conduit enters the base bracket from the rear, insert the cover plug into the bottom opening of the cover.



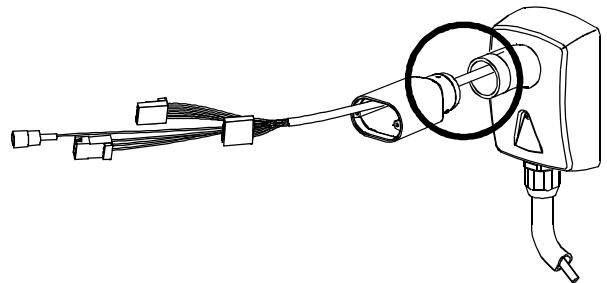
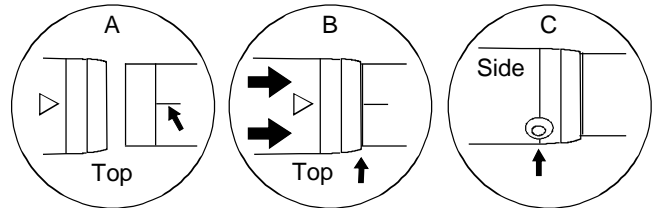
8. Insert cover over pipe and tighten cover to base bracket using captive Torx screw.



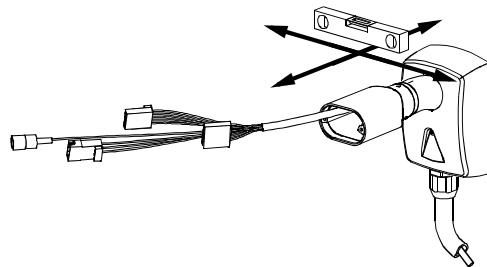
9. Run cables from the existing pipe through the adapter pipe and out its front. Reinstall the adapter pipe as follows:

- Align arrow on the adapter pipe with the mark at the top of the pipe assembly.
- Maintaining arrow/line alignment, insert the dome/adapter pipe assembly onto the pipe until the rubber sleeve on the adapter pipe meets the circumference mark.
- Maintaining compression, tighten the two setscrews using the Allen wrench.

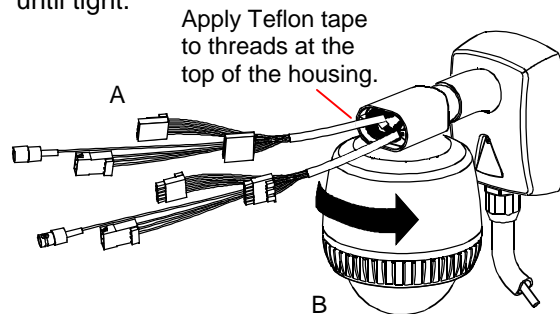
Note: If marks on the pipe of the mounting structure are missing, scribe a circumference mark 4cm (1.57in) from the end of the pipe.



10. Check the level of the pipe assembly. If re-leveling is necessary, remove the cover assembly and loosen the four screws of the base bracket to adjust.

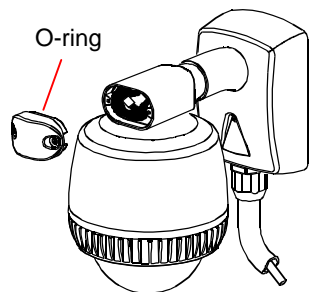


- Apply Teflon tape to the threads at the top of the housing. Then A) route the cable from the housing through the bottom opening of the adapter pipe and out its front, and B) twirling the cables to relieve tension, thread the housing onto the adapter pipe. Keep turning the housing until tight.



- Re-check the level of the dome in the two directions shown. Re-level if necessary.
- Connect cables, stuff excess cable into the adapter pipe, and ensure the O-ring is in place. Then, using a wrench for tamperproof screws, attach the end cap.

Note: For cable connections, see the instruction card supplied with the dome.



Declarations

Thank you for using American Dynamics products. We support our products through an extensive and worldwide network of dealers. The dealer, through whom you originally purchased this product, is your point of contact if you have a need for service or support. Our dealers are fully empowered to provide the very best in customer service and support. Dealers should contact American Dynamics at (800) 507-6268 or (561) 912-6259 or on the web at www.americandynamics.net.

WARRANTY DISCLAIMER: Sensormatic Electronics Corporation makes no representation or warranty with respect to the contents hereof and specifically disclaims any implied warranties of merchantability or fitness for any particular purpose.

NOTICE: The information in this manual was current when published. The manufacturer reserves the right to revise and improve its products. All specifications are therefore subject to change without notice.

LIMITED RIGHTS NOTICE: For units of the Department of Defense, all documentation and manuals were developed at private expense and no part of it was developed using Government Funds. The restrictions governing the use and disclosure of technical data marked with this legend are set forth in the definition of "limited rights" in paragraph (a) (15) of the clause of DFARS 252.227.7013. Unpublished - rights reserved under the Copyright Laws of the United States.

TRADEMARK NOTICE: *American Dynamics* and *Sensormatic* are trademarks or registered trademarks of Sensormatic Electronics Corporation. Other product names mentioned herein may be trademarks or registered trademarks of Sensormatic or other companies.

COPYRIGHT: Under copyright laws, the contents of this manual may not be copied, photocopied, reproduced, translated or reduced to any electronic medium or machine-readable form, in whole or in part, without prior written consent of Sensormatic Electronics.

RLJ 3/05