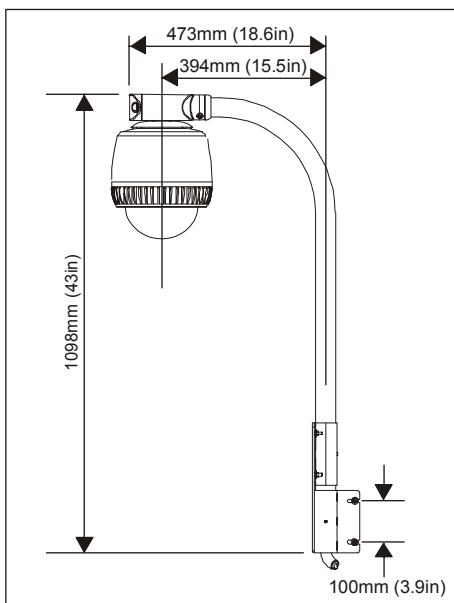
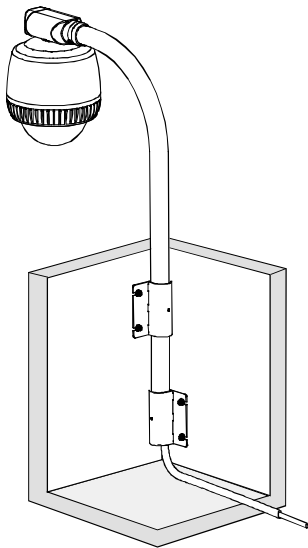


RHOTR Over-the-Roof Mount

For SpeedDome® Ultra or SpeedDome® Optima Outdoor Housing

Installation Guide

Regulatory Compliance: Safety UL1950



Parts Supplied

| | | |
|------------------------------|---|---------------|
| Pipe, Outdoor Arm | 1 | 0500-3635-02 |
| Bracket, Hinge | 2 | 0500-9403-01 |
| Adapter Pipe Assembly | 1 | 0101-0051-01 |
| Install Kit 0351-2118-01 | | |
| Anchor, M6, Wedge w/Hardware | 4 | 2880-0108-01 |
| Washer, Locking, M6 | 4 | 5846-0500-020 |
| Washer, Flat Large | 4 | 5842-0500-020 |
| Plug, Foam | 1 | 0505-0296-01 |
| Wrench, Allen | 1 | 1400-0112-06 |
| Wrench, Tamperproof, Torx | 1 | 1400-0149-01 |

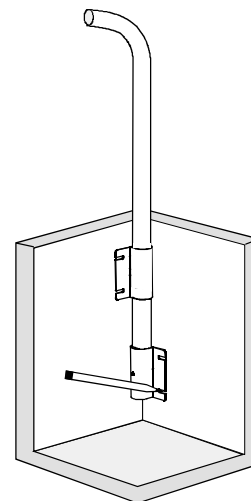
Tools Required

- Teflon Tape
- Level
- Power Drill
- Hammer
- Pliers
- Socket Wrench Kit w/Extension (metric)

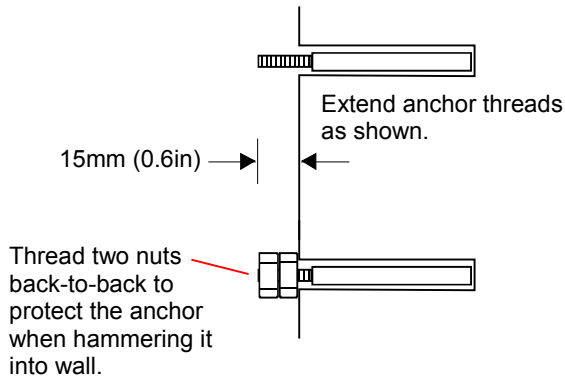
Procedure

Note: Brackets for the arm that holds the dome can be positioned against a wall or in a corner as shown in these instructions.

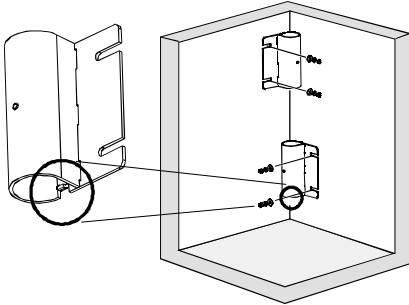
1. Insert pipe through both support brackets as shown. Then position the pipe and brackets as desired so the brackets are properly spaced. The wider apart the brackets, the more stable the pipe will be. Mark holes for anchors.



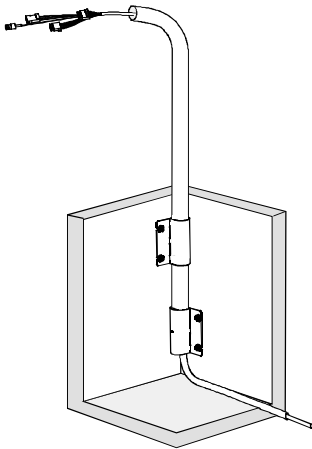
2. Drill holes and install anchors as shown below.



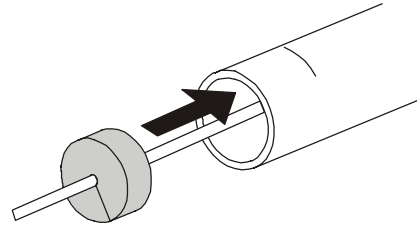
3. On the lower bracket, bend the tab (pipe stop) inward and bolt both brackets to the wall using the nuts and washers provided.



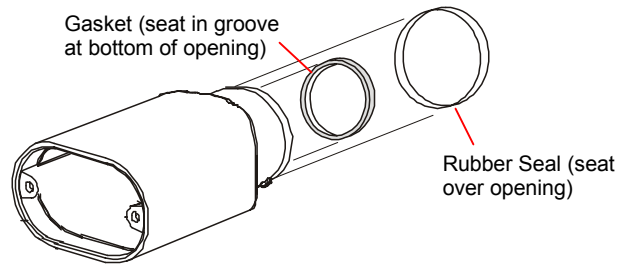
4. Reinsert the pipe through the brackets and route the conduit and cable up through the pipe. Insert at least 15.2cm (6in) of conduit into the pipe. Turn the top of the arm inward to facilitate assembly.



5. Slip the cable into the hole of the rubber dust plug and work the plug into the pipe opening. When done, the plug must be fully inserted and must fully seal the opening.

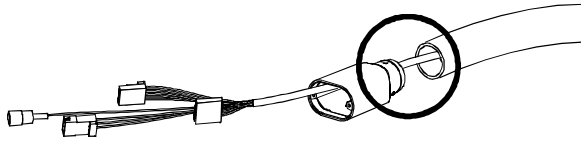
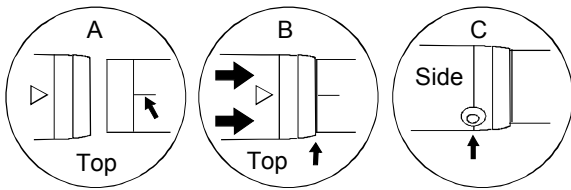


6. **IMPORTANT!** To prevent water intrusion, ensure the adapter pipe has a gasket and sleeve preinstalled.

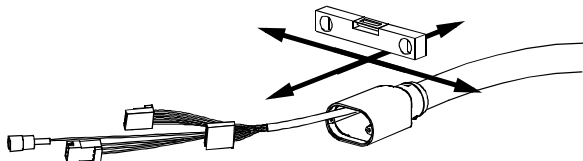


7. Run cables from the existing pipe through the adapter pipe and out its front. Reinstall the adapter pipe as follows:
 - A. Align arrow on the adapter pipe with the mark at the top of the pipe assembly.
 - B. Maintaining arrow/line alignment, insert the dome/adapter pipe assembly onto the pipe until the rubber sleeve on the adapter pipe meets the circumference mark.
 - C. Maintaining compression, tighten the two setscrews using the Allen wrench.

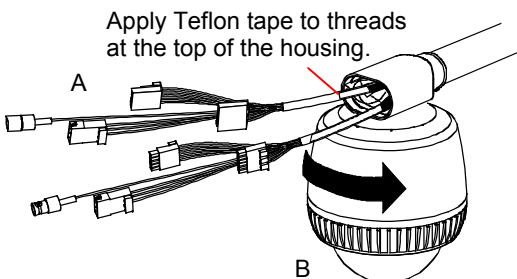
Note: If marks on the pipe of the mounting structure are missing, scribe a circumference mark 4cm (1.57in) from the end of the pipe.



8. Check the level of the pipe assembly. If re-leveling is necessary, loosen the two set screws and repeat steps 8.

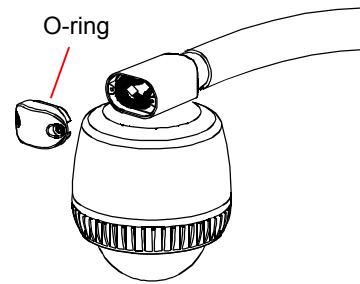


9. Apply Teflon tape to the threads at the top of the housing. Then A) route the cable from the housing through the bottom opening of the adapter pipe and out its front, and B) twirling the cables to relieve tension, screw the housing onto the adapter pipe. Keep turning the housing until tight.

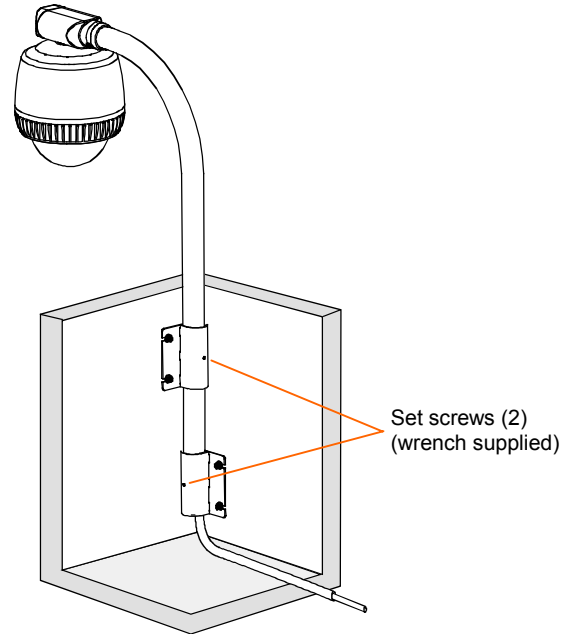


10. Re-check the level of the dome in the two directions shown. Re-level if necessary.
11. Connect cables, stuff excess cable into the adapter pipe, and ensure the O-ring is in place. Then, using a wrench for tamperproof screws, attach the end cap.

Note: For cable connections, see the instruction card supplied with the dome.



12. Swing the dome to the desired position over the roof and tighten the setscrews.



Declarations

Thank you for using American Dynamics products. We support our products through an extensive and worldwide network of dealers. The dealer, through whom you originally purchased this product, is your point of contact if you have a need for service or support. Our dealers are fully empowered to provide the very best in customer service and support. Dealers should contact American Dynamics at (800) 507-6268 or (561) 912-6259 or on the web at www.americandynamics.net.

WARRANTY DISCLAIMER: Sensormatic Electronics Corporation makes no representation or warranty with respect to the contents hereof and specifically disclaims any implied warranties of merchantability or fitness for any particular purpose.

NOTICE: The information in this manual was current when published. The manufacturer reserves the right to revise and improve its products. All specifications are therefore subject to change without notice.

LIMITED RIGHTS NOTICE: For units of the Department of Defense, all documentation and manuals were developed at private expense and no part of it was developed using Government Funds. The restrictions governing the use and disclosure of technical data marked with this legend are set forth in the definition of “limited rights” in paragraph (a) (15) of the clause of DFARS 252.227.7013. Unpublished - rights reserved under the Copyright Laws of the United States.

TRADEMARK NOTICE: *American Dynamics* and *Sensormatic* are trademarks or registered trademarks of Sensormatic Electronics Corporation. Other product names mentioned herein may be trademarks or registered trademarks of Sensormatic or other companies.

COPYRIGHT: Under copyright laws, the contents of this manual may not be copied, photocopied, reproduced, translated or reduced to any electronic medium or machine-readable form, in whole or in part, without prior written consent of Sensormatic Electronics.

MDR 1/04