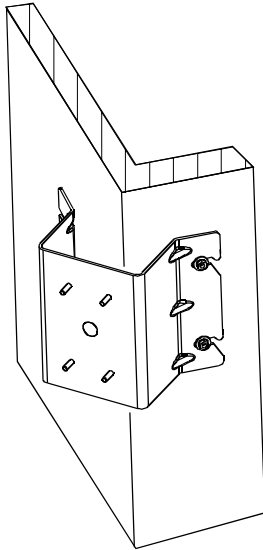


RHOWCA Corner Mount

For SpeedDome® Ultra or SpeedDome®
Optima Indoor/Outdoor Housings

Installation Guide

Regulatory Compliance: Safety UL1950



Parts Supplied

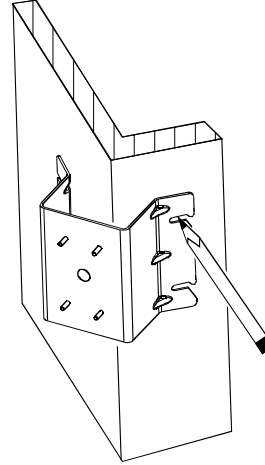
Bracket, Corner	1	0500-9599-01
Install Kit 0351-2145-01		
Anchor, Drywall	4	2880-0025-02
Anchor, M6, Wedge w/Hardware	4	2880-0108-01
Washer, Locking, M6	4	5846-0500-020
Washer, Large, M6	4	5842-0500-020
Washer, 6.4mm (¼in) Locking	4	2847-0101-10
Screw, STAP	4	5810-5091-120
Nut, Locking	4	5826-0500-020

Tools Required

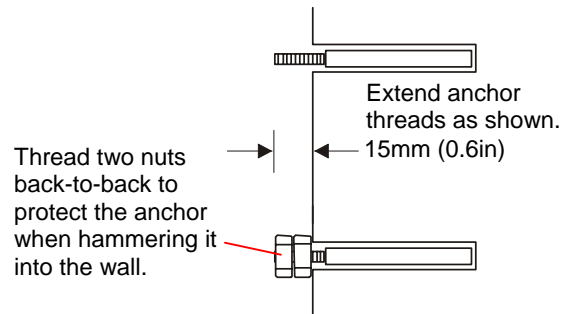
- Level
- Power Drill
- Hammer
- Pliers
- Socket Wrench Kit w/Extension (metric)

Procedure

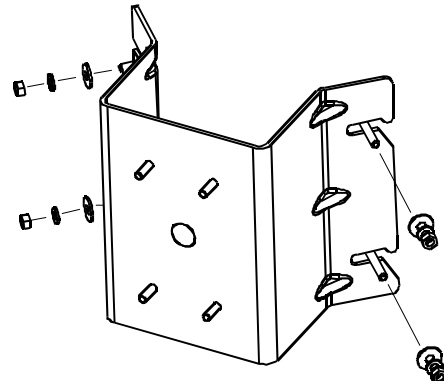
1. Place the corner bracket in the desired mounting location and mark holes for four anchors.



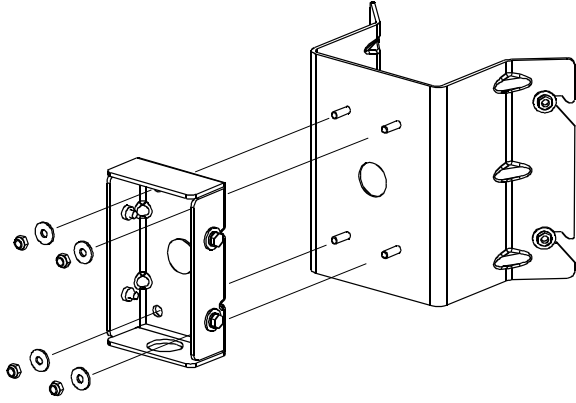
2. Drill holes. For concrete, use anchors according to diagram.



3. Attach the corner bracket to wall. For drywall, place lock washers and washers onto four drywall screws. Thread at least two screws into the stud. Tighten the screws. For concrete, use washers, lock washers and nuts.



4. Bolt the base bracket (supplied separately) to the corner bracket using washers and nuts. See instructions supplied with the wall mounting structure.



Declarations

Thank you for using American Dynamics products. We support our products through an extensive and worldwide network of dealers. The dealer, through whom you originally purchased this product, is your point of contact if you have a need for service or support. Our dealers are fully empowered to provide the very best in customer service and support. Dealers should contact American Dynamics at (800) 507-6268 or (561) 912-6259 or on the web at www.americandynamics.net.

WARRANTY DISCLAIMER: Sensormatic Electronics Corporation makes no representation or warranty with respect to the contents hereof and specifically disclaims any implied warranties of merchantability or fitness for any particular purpose.

NOTICE: The information in this manual was current when published. The manufacturer reserves the right to revise and improve its products. All specifications are therefore subject to change without notice.

LIMITED RIGHTS NOTICE: For units of the Department of Defense, all documentation and manuals were developed at private expense and no part of it was developed using Government Funds. The restrictions governing the use and disclosure of technical data marked with this legend are set forth in the definition of "limited rights" in paragraph (a) (15) of the clause of DFARS 252.227.7013. Unpublished - rights reserved under the Copyright Laws of the United States.

TRADEMARK NOTICE: *American Dynamics* and *Sensormatic* are trademarks or registered trademarks of Sensormatic Electronics Corporation. Other product names mentioned herein may be trademarks or registered trademarks of Sensormatic or other companies.

COPYRIGHT: Under copyright laws, the contents of this manual may not be copied, photocopied, reproduced, translated or reduced to any electronic medium or machine-readable form, in whole or in part, without prior written consent of Sensormatic Electronics.

MDR 1/04