

## ATTACHING THE RJ-45 CABLE TO THE TOUCH TRACKER

This sheet provides step-by-step installation instructions for attaching the cable to the Touch Tracker Controller.

1. Place the Touch Tracker Controller on a table with its keyboard facing down. Looking at the back of the unit, locate the strain relief and the RJ-45 connector. See Figure 1.
2. Referring to Figure 2, place the cable's RJ-45 plug next to the Touch Tracker Controller. The plug's plastic retainer clip should be facing upward. Do not plug the cable into the Touch Tracker at this time.
3. Keep the RJ-45 plug's plastic retainer clip facing upward as you perform the following:  
Work the cable into the strain relief until it is behind both teeth. Then slide it in either direction to produce a 10cm (4in) pigtail between the strain relief and the RJ-45 plug. See Figure 3.
4. Plug the cable into the Touch Tracker's RJ-45 connector. Then slide the cable through the strain relief until a 5cm (2in) loop remains. See Figure 4.
5. Refer to the appropriate system installation procedures for instructions on how to attach the Touch Tracker to the system.

Figure 1

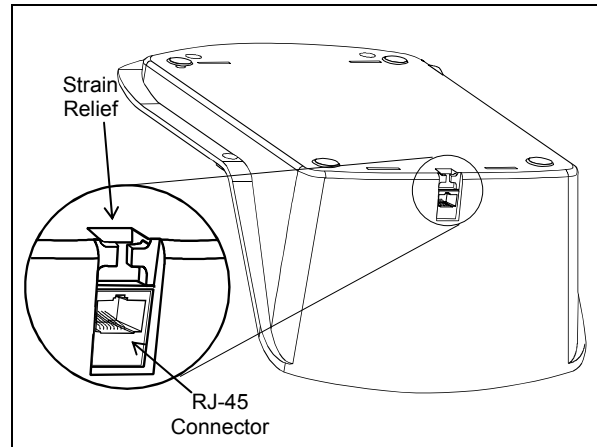


Figure 2

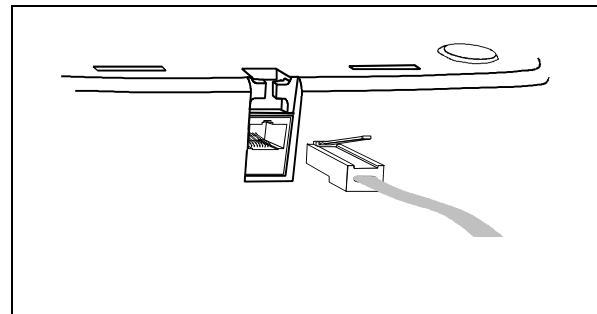


Figure 3

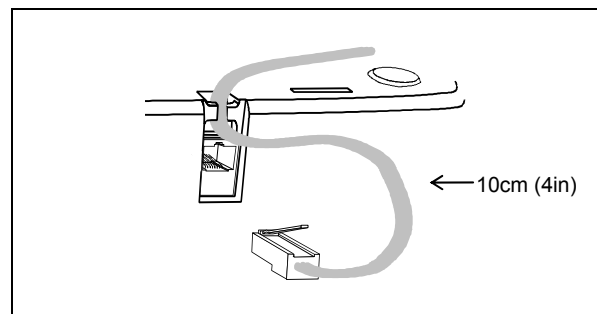


Figure 4

