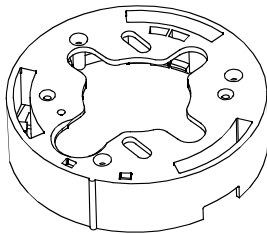


RUPTB Mounting Base

This guide explains how to attach the base of the camera dome (Figure 1) to a hard ceiling or to an optional mounting structure.

Note: For an explanation of how to assemble a mounting structure, see instructions supplied with the structure.

Figure 1. Mounting base for camera dome



Warnings and Cautions

Please review the following warnings and cautions before you install the mounting base. For additional warnings and cautions, see the camera dome installation guide.



WARNING!

ALWAYS USE:

- Proper safety equipment for the location and type of installation.
- Proper lift equipment to reach the installation.
- Safety features of the lift equipment.

BE SURE:

- Electrical power is not connected to the dome when connecting wires. Dome will move when power is applied.
- Electrical power is not connected to nearby fixtures that you might touch during installation.



WARNING!

DO NOT install this camera dome in hazardous areas where highly combustible or explosive products are stored or used.



WARNING!

This dome runs on 24Vac. DO NOT connect line voltage to this dome.

North America power requirements: In North America, this device is intended to be supplied from a Class 2 power supply. For outdoor installations, use Class 3 wiring techniques, liquid-tight conduit, or liquid-tight pipe.

This installation should be made by a qualified service person and should conform to all local codes.



WARNING!

EU power requirements: This product runs on 24Vac. In the EU, it is intended to be powered from a Limited Power Source. A limited power source is a certified source of SELV, and if inherently limited, with 8 amps maximum output current, and a maximum of 100VA available; or if not inherently limited, fused with a maximum value of 3.3 Amps, meeting section 2.11 of IEC950, and a maximum of 250VA available. The power supply can be obtained through American Dynamics or through another source where the provider can furnish the verification. This is required to assure electrical safety in the product.

Stromanforderungen in der EU: Dieses Produkt wird mit 24 V Wechselstrom betrieben. In der EU ist es für den Betrieb durch eine begrenzte Stromquelle vorgesehen. Eine begrenzte Stromquelle ist eine zertifizierte SELV-Quelle (Schutzkleinspannung), bei inhärenter Begrenzung mit einem maximalen Ausgangsstrom von 8 A und 100 VA maximaler Verfügbarkeit, bei nicht inhärenter Begrenzung mit einer maximalen Sicherung von 3,3 A gemäß Abschnitt 2.11 der IEC950 und 250 VA maximaler Verfügbarkeit. Das Netzteil kann über American Dynamics oder eine andere Quelle bezogen werden, wobei der Anbieter den Nachweis der Konformität bereitstellen sollte. Dies ist zur Gewährleistung der elektrischen Sicherheit des Produktes erforderlich.

Cautions

- The maximum length of power cable allowed between the Class 2 LPS (low voltage) ac source, such as a J-box, and the dome is 250m (820').
- Do not run data and power cables adjacent to or in the same conduit as line voltage mains power.
- SensorNet 485 networks require 22 AWG unshielded cable. Do not exceed 32 devices per cable run.
- RS422 networks require 22 AWG shielded cable. Do not exceed 10 devices per cable run.
- Manchester networks require 18 AWG shielded cable. Do not exceed 3 devices per cable run.
- Always terminate the camera dome connected at the end of a cable run.

Installation Procedures

This section explains how to:

1. Attach the base indoors to a:
 - Tile Ceiling (see RHIUTBAR instructions)
 - Hard ceiling (page 3)
 - Mounting structure (page 3).
2. Prepare cables for attachment to the housing and eyeball assembly (page 5).

Before You Begin

Please read the following to ensure a smooth and successful installation.

You must:

- Have electrical work comply with latest national electrical code, national fire code, and all applicable local codes and ordinances.
- Coordinate work with other trades to avoid interference.
- Verify existing site conditions and coordinate with the owner's representative and appropriate utilities as required.
- Obtain copies of all related plans, specifications, shop drawings and addenda to schedule and coordinate related work.
- Thoroughly review the project to ensure that all work meets or exceeds the above requirements. Bring alleged discrepancies to the attention of the CCTV Project Coordinator.

You should have on hand the following equipment:

- Phillips-head screwdriver
- Power drill with 1/8", 1/4", and 3/8" drill bits
- Hammer
- Socket wrench with 6-inch extension, and 5.5mm and 10mm sockets
- Vacuum and broom
- Install kit 0351-1630-01.

Note: In the following procedures, letters in brackets [] and in figures refer to items in kit, which includes:

a)	Base, SpeedDome Ultra	1	0400-1146-01
b)	Clip, Lanyard	1	0500-8046-01
c)	Lanyard	1	0500-8019-01
d)	Anchor, Toggle	2	2880-0073-01
e)	Washer, Flat, M4	2	5842-0300-020
f)	Screw, STAP, 4.2x32 PH	2	5810-4091-120
g)	Plug, 9-Pin	1	2109-0572-09
h)	Plug, 4-Pin	1	2109-0572-04
i)	Video Cable	1	6003-0131-01
j)	Nut, Locking, M3	2	5826-0200-020
k)	Screw, M3x10 Flathead	1	5801-1062-111
l)	Screw, M3x6, PHP	1	5108-1041-111
m)	Dust cover	1	3100-0066-01

Attaching to a Tile Ceiling

Requires RHIUTBAR T-bar kit (optional).

Attaching to a Hard Ceiling

Follow this procedure to attach the base to sheet rock or wood beams (Figure 2).

1. Mark and drill holes.

Place base [a] against ceiling and mark and drill holes for two mounting screws. If mounting to sheet rock, also mark and drill hole for cable access.

SHEET ROCK: Drill two 9.5mm (3/8") holes for plastic anchors. Drill one 19.5mm (3/4") hole over cable access area for cable access.

WOOD: Drill two 3.2mm (1/8") holes for mounting screws. If wood covers cable access area, drill one 19.5mm (3/4") hole for cable access.

2. Press dust cover [m] into large hole in cap of camera dome to keep debris out of dome.

3. Lanyard [c] prevents strain on cables when detaching dome from base. As shown in Figure 2, attach lanyard clip [b] to base where shown using M3x10 flat head screw [k] and M3 nut [j]. Attach other end of lanyard to cap of dome using M3x6 pan head screw [l].

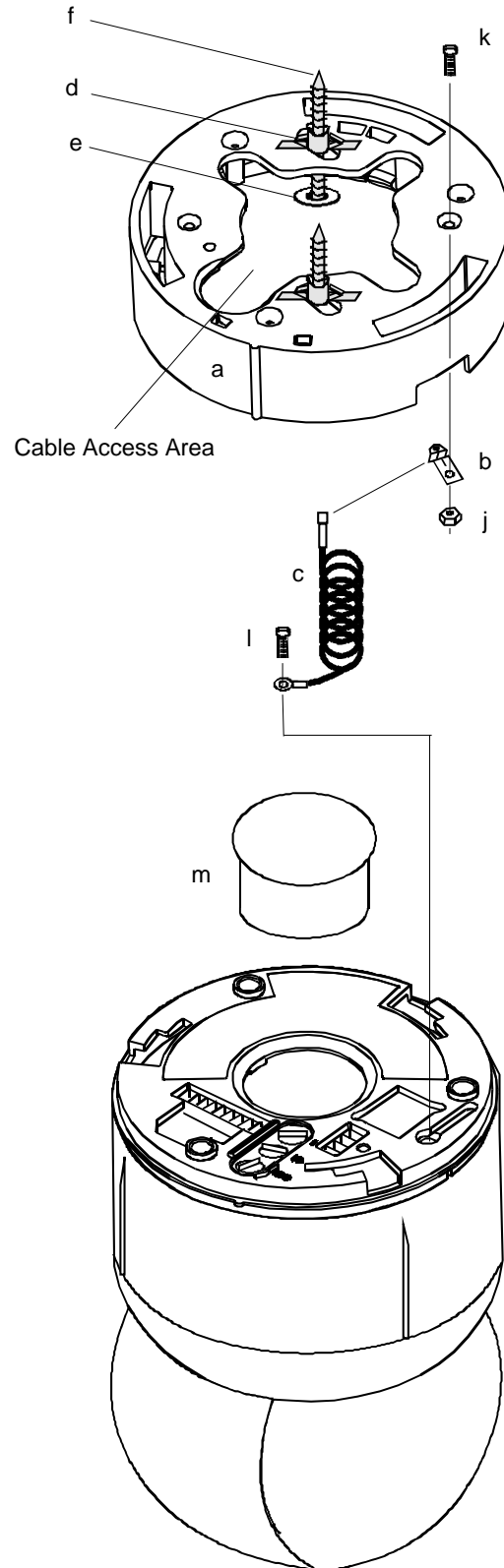
4. Attach base to ceiling.

SHEET ROCK: Install plastic anchors [d]. Then place washers [e] onto screws [f] and insert them into anchors.

WOOD: Place washers [e] onto screws [f] and insert them into the wood.

5. See "Preparing Cables," page 5.

Figure 2. Surface mounting to sheet rock and wood beams

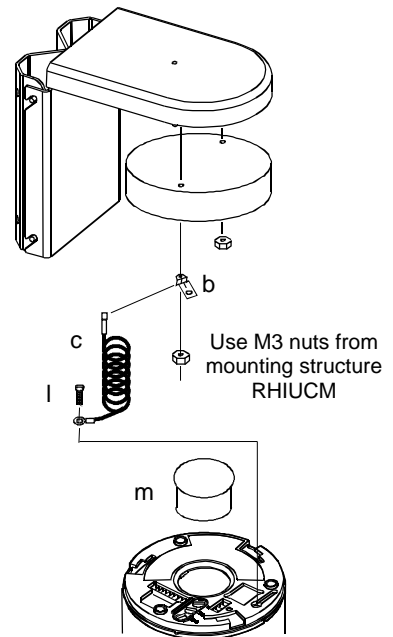
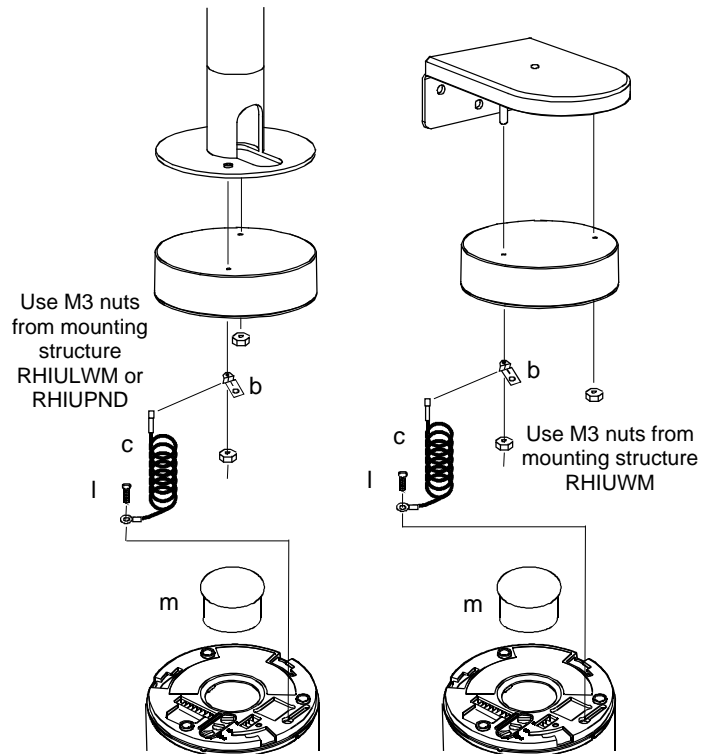


Attaching to a Mounting Structure

To attach the base to a mounting structure (Figure 3):

1. Press dust cover [m] into large hole in cap of camera dome to keep debris out of dome during this procedure.
2. Lanyard [c] prevents strain on cables when detaching dome from base. As shown in Figure 2, attach lanyard clip [b] to mounting stud where shown using two nuts supplied with structure. Attach other end of lanyard to cap of dome using M3x6 screw [l].
3. See "Preparing Cables," page 5.

Figure 3. Attaching base to mounting structure



Preparing Cables

The following steps refer to Figure 4.

1. Feed data, power, and alarm cables through cable access hole in base.
2. Connect data and power to 9-pin plug [g].

Manchester data and power (Ultra IV only). Order data cable 88760 (plenum) or 8760 (non-plenum) from Belden by calling 1-800-235-3361.

Pin	Color	Designation
1	White	Manchester (-)
2	Black	Manchester (+)
3	Black	24Vac
4	Red	Ground
5	White	24vac
6-9	N/A	Not used.

RS-422 data and power

Pin	Color	Designation
1-2	N/A	Not used.
3	Black	24Vac
4	Red	Ground
5	White	24vac
6	Orange	RS-422 Data In High (+)
7	Green	RS-422 Data In Low (-)
8	Yellow	RS-422 Data Out High (+)
9	Brown	RS-422 Data Out Low (-)

SensorNet data and power

Pin	Color	Designation
1	Orange	SensorNet (unshielded)
2	Yellow	SensorNet (unshielded)
3	Black	24Vac
4	Red	Ground
5	White	24vac
6-9	N/A	Not used.

4. Connect alarm input cable wires, if used, to 4-pin plug [h].

Pin	Color	Designation
1	N/A	+12Vdc
2	N/A	Alarm Out
3	N/A	Alarm in
4	N/A	Common

5. Connect video cable [i] to video cable from composite cable.

Figure 4. Preparing cables

