

# Indoor Mounting

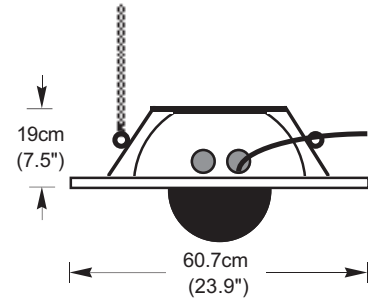
## 2x2 Tile Mount

### Required Parts

#### Std. Ceiling Mount Kit

0351-0376-01

Description	Qty.	Part No.
Bar, ceiling tee	1	0500-0263-01
S-hook, open	2	2897-0004
Chain, Navy link	6 FT	2898-0002
Tab	2	0500-0264-04
Clip, T-bar	4	1400-0033-01



U.S. Customary Measurements in italics are rounded off.

### Procedure

#### 1.

Remove the ceiling tile(s) and inspect the ceiling frame. The frame must be capable of withstanding 9kg (20 lbs) of weight and the forces generated as the dome pans and tilts.

**IF THE CEILING FRAME CANNOT SUPPORT THE DOME, ASK BUILDING MAINTENANCE TO INSTALL ADDITIONAL CEILING SUPPORTS.**

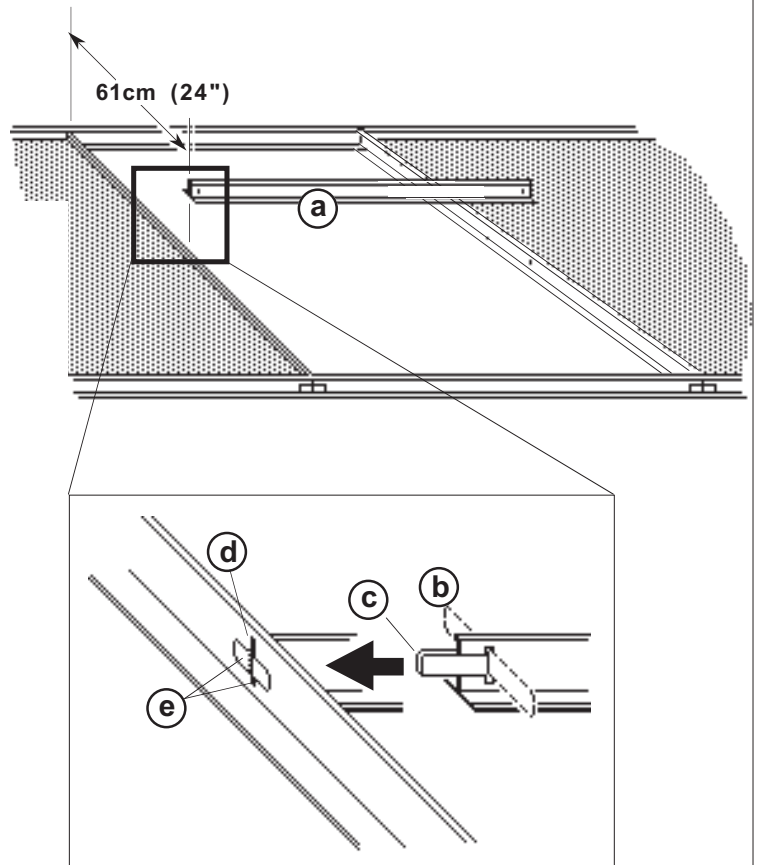
For a 2x2 opening, go to step 4.  
For a 2x4 opening, continue.

#### 2.

Cut the 2x4 ceiling tile to 60.3cm (23.75") using the length of the T-bar supplied (a) as a guide. Then, attach this T-bar (see detail) by centering steel tab (b) through the slot at end of the T-bar. Bend the tab as shown (c).

#### 3.

Slide the tab through the slot in the existing frame (d) 61cm (24") from the T-bar opposite. Bend the ends of the tab outward (e) to secure. Repeat for the other end of bar.



(over)

## 2x2 Tile Mount, continued

### 4.

Set the housing (f) into the ceiling opening. For slightly larger openings, see box below. If installing in a 2x2 ceiling, remove an adjacent ceiling tile to aid installation.

### 5.

Clamp the housing to the T-bars by snapping a T-bar clip (g) over the raised edge of the housing and the T-bar. Center this clip along the edge. Repeat this step for each side of the housing.

### 6.

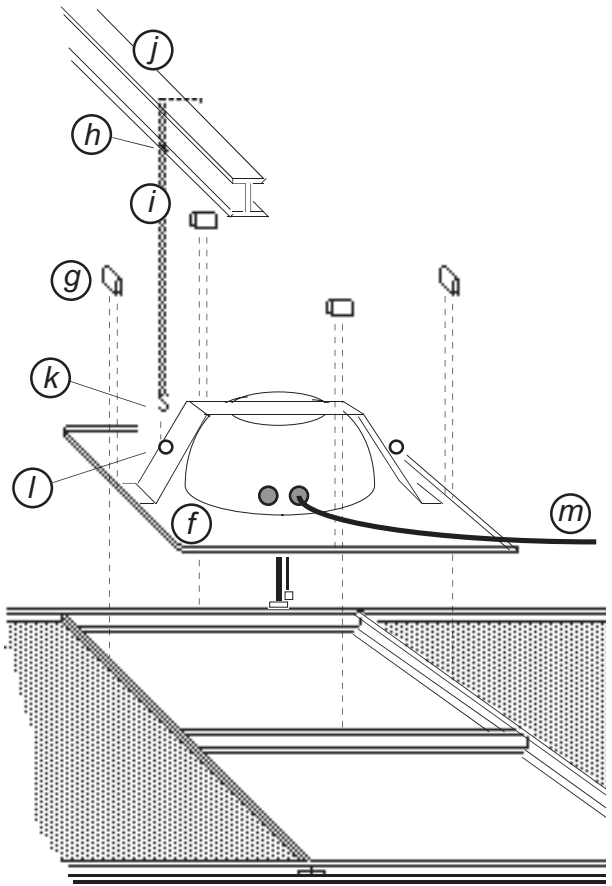
Using an S-hook (h), wrap safety chain (i) around a strong ceiling member (j) and attaching it to itself and, using a second S-hook (k), attach the other end of the chain to one of two eyelets (l) on the housing. Keep the chain as taut as possible. Tighten both ends off each S-hook.



**CHAIN MUST BE TAUT! CLOSE THE ENDS OF EACH S-HOOK!**

### 7.

Feed video and multiconductor cables (m) through one of the two holes in side of the housing and reinstall the adjacent ceiling tile. The housing is now ready for chassis installation.

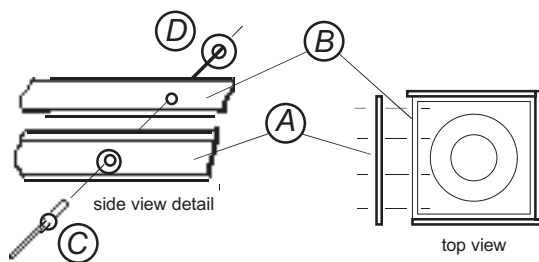


Add extension bars to the housing for ceiling openings slightly larger than 2x2 or 2x4.

### Extension Bar Kit

0351-0243-01

Description	Qty.	Part No.
Bar, extension	4	0500-3326-01
Rivet, pop .125x.390	16	2873-0004-05
Washer, flat No. 5	16	2848-1408-01
Bar, ceiling tee	1	0500-0648-01
Tab	2	0500-0264-04
Clip, T-bar	4	1400-0033-01



Extension bars (A) mount to the edge of the housing (B) to provide a proper fit. Buttjoint as many bars as required using pop rivets (C) and washers (D), four per bar, as shown above. Do not use clips.