

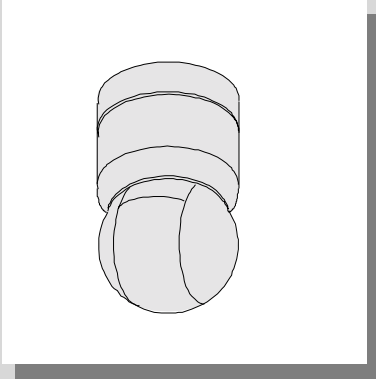
# ***SpeedDome Ultra III Camera Dome***

---

## **Configuration Utility Operator's Manual**



8000-1965-01



***SpeedDome® Ultra III Camera Dome***  

---

***Configuration Utility***

**Operator's Manual**

Version 1.2

## **EQUIPMENT MODIFICATION CAUTION**

Equipment changes or modifications not expressly approved by Sensormatic Electronics Corporation, the party responsible for FCC compliance, could void the user's authority to operate the equipment and could create a hazardous condition.

## **FCC COMPLIANCE**

This equipment complies with Part 15 of the FCC rules for Class A digital devices when installed and used in accordance with the instruction manual. Following these rules provides reasonable protection against harmful interference from equipment operated in a commercial area. This equipment should not be installed in a residential area as it can radiate radio frequency energy that could interfere with radio communications, a situation the user would have to fix at their own expense.

## **WARRANTY DISCLAIMER**

Sensormatic Electronics Corporation makes no representation or warranty of the contents of this manual and disclaims any implied warranties of merchantability or fitness. Sensormatic Electronics Corporation reserves the right to revise this manual and change its content without obligation to notify any person of these revisions.

## **LIMITED RIGHTS NOTICE**

For units of the Department of Defense, all documentation and manuals were developed at private expense and no part of it was developed using Government Funds. The restrictions governing the use and disclosure of technical data marked with this legend are set forth in the definition of "limited rights" in paragraph (a) (15) of the clause of DFARS 252.227.7013. Unpublished - rights reserved under the Copyright Laws of the United States.

## **SOFTWARE LICENSE AGREEMENT**

A Software License Agreement appears in Appendix B of this manual. Please read it carefully. Using the SpeedDome Ultra III Camera Dome Configuration Utility software indicates that you accept the terms and conditions of this agreement.

Copyright 1998

All rights reserved.

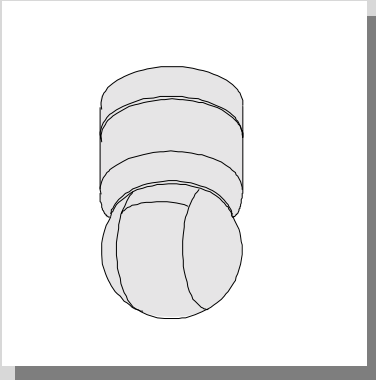
No part of this manual may be reproduced in any form without written permission from Sensormatic® Electronics Corporation.

Sensormatic and the Sensormatic logo are registered trademarks of Sensormatic Electronics Corporation.

Product names mentioned herein may be trademarks or registered trademarks of other companies.

PN- 8000-1965-01, Rev. C

BSL 10/98



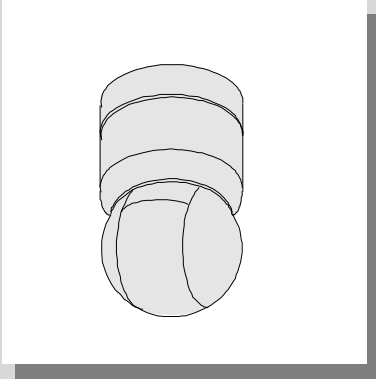
# Table of Contents

<b>BEFORE YOU BEGIN</b> .....	<b>VII</b>
What's In This Manual? .....	viii
Text Conventions .....	ix
Related Documents .....	ix
Getting Help .....	x
<b>CHAPTER 1: GETTING STARTED</b> .....	<b>1-1</b>
What Is the SpeedDome Ultra III Configuration Utility? .....	1-2
Starting the Configuration Utility.....	1-2
Moving Around the Screen and Selecting Choices.....	1-3
Exiting the Utility.....	1-4
Password Protection .....	1-5
Restoring Factory Settings.....	1-6
Where To Go Next.....	1-7
Keeping Records .....	1-8

<b>CHAPTER 2: PAN, TILT, AND ZOOM OPTIONS .....</b>	<b>2-1</b>
Overview of Pan, Tilt, and Zoom Settings.....	2-2
Setting the Automatic “Flip” Feature .....	2-3
Setting the Zoom Stop Factors .....	2-4
Setting the First Zoom Stop .....	2-4
Changing the Maximum Zoom Setting .....	2-5
What To Do Next .....	2-6
<b>CHAPTER 3: CAMERA AND LENS FUNCTIONS .....</b>	<b>3-1</b>
Overview of Camera and Lens Function Settings .....	3-2
Setting Line Lock .....	3-3
Automatic Gain Control Settings.....	3-4
Setting the AGC Mode .....	3-5
Changing the AGC Manual Gain Setting .....	3-5
Adjusting White Balance.....	3-6
Setting the Automatic White Balance Feature .....	3-7
Changing the Red and Blue Settings.....	3-8
What To Do Next .....	3-10
<b>CHAPTER 4: ALARMS, AREAS, AND HOME SETTINGS .....</b>	<b>4-1</b>
Overview of Alarms, Areas, and Home Position Settings .....	4-2
Configuring Alarm Actions .....	4-3
Assigning Alarm Actions .....	4-4
Configuring Normal Input States.....	4-6
Setting Normal Input States .....	4-7
Setting the Home Position .....	4-10
Setting Area Boundaries .....	4-13
Programming Presets .....	4-15
Setting Presets.....	4-16
What To Do Next .....	4-18
<b>CHAPTER 5: ON-SCREEN TEXT DISPLAY SETTINGS .....</b>	<b>5-1</b>
Overview of On-Screen Text Display Settings.....	5-2
Displaying or Hiding Status Information.....	5-3
Displaying or Hiding Name Information .....	5-4
Changing the Display of All Name Information .....	5-5
Changing the Display of Selected Name Information .....	5-6
Displaying Diagnostic Information During Reset.....	5-9
Assigning or Changing Name Information .....	5-10
Setting Names .....	5-10
Changing Text Display Attributes.....	5-14
What To Do Next .....	5-17



- CHAPTER 6: LANGUAGE AND PASSWORD SETTINGS ..... 6-1**
  - Overview of Language and Password Settings ..... 6-2
  - Selecting a Language ..... 6-3
  - Working with Passwords..... 6-5
    - Setting or Changing the Dome Password..... 6-5
    - Enabling or Disabling Password Protection ..... 6-7
  - What To Do Next ..... 6-8
- APPENDIX A: RECORDS ..... A-1**
- APPENDIX B: SOFTWARE LICENSE AGREEMENT ..... B-1**
- GLOSSARY**



# Before You Begin

## **In This Preface:**

---

- What's In This Manual?
- Documentation Conventions
- Related Information
- Getting Help

## What's In This Manual?

This manual is organized as follows:

- Chapter 1, *Getting Started*, describes how to use the SpeedDome Ultra III Camera Dome configuration utility.
- Chapter 2, *Pan, Tilt and Zoom Options*, describes how to set the “flip” feature and zoom stop settings for the camera dome.
- Chapter 3, *Camera and Lens Functions*, describes how to set the line lock to prevent vertical rolling and how to set the automatic gain control and adjust the white balance.
- Chapter 4, *Alarms, Areas and Home Settings*, describes how to assign presets or patterns and set the normal state for alarm inputs. You can specify whether or not a pattern or preset should run after defined periods of inactivity. In addition, you can also set the boundaries for up to 16 areas and program presets.
- Chapter 5, *On-Screen Text Display Settings*, describes how to enable or disable the display of status, name and diagnostic information associated with the camera dome. It also provides instructions for setting or changing the names of areas, presets, patterns, alarms, and the dome. You can also set the appearance of text displayed by the camera dome.
- Chapter 6, *Language and Password Settings*, describes how to set the language for the menus and prompts. It also describes how to set and enable a password to prevent unauthorized use of the configuration utility.



### IMPORTANT

If Portuguese is selected as the language, the characters “ã” and “õ” will not be displayed on the screen. This is due to a limitation of the SpeedDome Ultra III text overlay chip.

---

- Appendix A, *Records*, provides a convenient place for listing the configuration information associated with your camera dome.

- Appendix B, *Software License Agreement*, lists the terms and conditions for using this product.

## Text Conventions

This book uses text in different ways to identify different kinds of information.

<i>Italics</i>	Used for terms specific to your system, and text that requires emphasis, for example <i>Preset</i>
Monospace	Used for menu selections or settings, for example, On-screen Text Display
<b>Bold</b>	Used for names of buttons, for example, <b>Focus Near</b>

---

**Note** Special notes are separated by ruled lines, like this.

---

## Related Documents

Other sources provide supplemental information about your SpeedDome Ultra III Camera Dome. These sources serve to enhance your understanding of the product and its use.

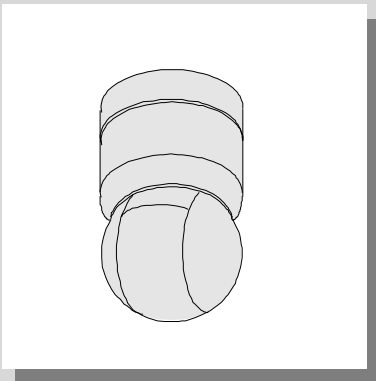
- The *SpeedDome Ultra III Camera Dome Configuration Utility Quick Reference Guide* (8000-1966-01) provides a brief overview of how to use the configuration utility.
- The *SpeedDome Ultra III Camera Dome Installation and Service Guide* (8000-2573-01) provides specific information about the wiring and physical set up of the camera dome.



## Getting Help

If you have a question about operation of this product, and you cannot find the answer in this document, consult with your supervisor. If your supervisor cannot answer your question, contact technical support. The technical support phone numbers appear on the rear cover of this manual.

# CHAPTER 1



## Getting Started

### In This Chapter

---

- What Is the SpeedDome Ultra III Configuration Utility?
- Starting the Configuration Utility
- Moving Around the Screen and Making Selections
- Exiting the Utility
- Password Protection
- Restoring Factory Settings
- Where To Go Next

# What Is the SpeedDome Ultra III Configuration Utility?

The SpeedDome Ultra III Camera Dome configuration utility provides a means to setting features for your camera dome via a text overlay menu. You access this menu using a keystroke combination. Refer to your keyboard or Touch Tracker operating instructions for the locations of the buttons referenced in this document.

The utility provides settings relating to camera functions, pan, tilt, zoom, focus, alarms, text display, and password protection. Some items supplement similar features that may be available through your controller.

## Starting the Configuration Utility

To start the configuration utility, do the following:

1. Select the SpeedDome Ultra III camera dome that you need to configure. Refer to the controller operating instructions for specific information.
2. Press and hold **Iris Open**, press and hold **Focus Near** or **Focus Far**, then press **Zoom Out**. The following text appears on the monitor.

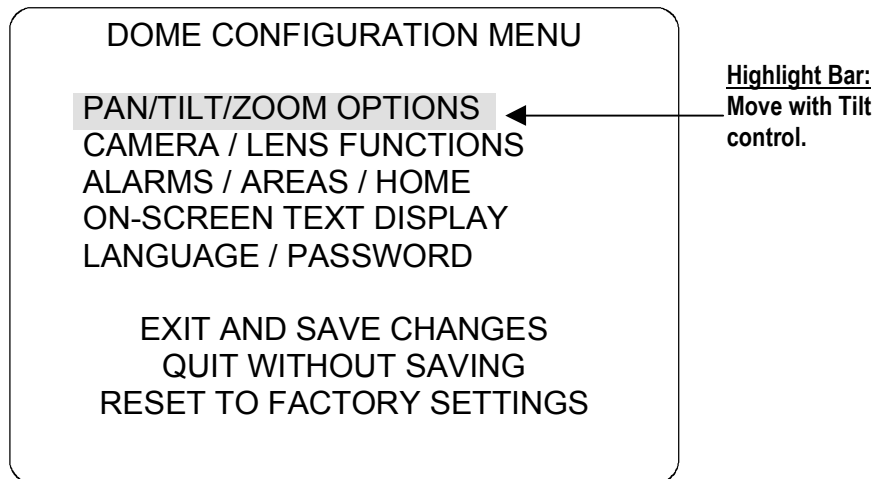


Figure Chapter 1 -1: SpeedDome Ultra III Configuration Menu

---

**Note** If you have password protection enabled for the configuration utility, the Enter Password screen appears first. You must correctly enter the password before the Dome Configuration Menu will appear. For information about entering the password, refer to *Password Protection* on page 1-5.

---

## Moving Around the Screen and Selecting Choices

All screens in the configuration utility use the same controls to move the highlight bar around the screen and to make selections. For combination keystrokes, press and hold each button in sequence, then release. **Refer to your controller operating instructions for the locations of the buttons.**

**Note:** Where no specific **Focus** button is specified, either **Focus Near** or **Focus Far** may be used.

<b>Function</b>	<b>Control</b>
Starts the configuration utility	<b>Iris Open, Focus, then Zoom Out</b>
Saves changes and exits the utility from any screen	<b>Iris Close, then Focus</b>
Moves highlight bar to the previous item on the screen	<b>Tilt Up</b>
Moves highlight bar to the next item on the screen	<b>Tilt Down</b>
Moves highlight bar to the next position right	<b>Pan Right</b>
Moves highlight bar to the next position left	<b>Pan Left</b>

Function	Control
Selects the highlighted item on the screen	<b>Focus Far</b>
Increases the value of the selected field or displays the next choice for the field.	<b>Zoom In (Zoom Tele)</b>
During naming, moves the cursor to the right of the current character in the name.	
Decreases the value of the selected field, or displays the previous choice for the field.	<b>Zoom Out (Zoom Wide)</b>
During naming, moves the cursor to the left of the current character in the name.	

## Exiting the Utility

When you finish working with the configuration utility, you can save your changes and exit the utility by pressing and holding **Iris Close**, then pressing **Focus Near** or **Focus Far**.

From the Dome Configuration Menu, you have two choices for exiting the utility: **Exit and Save Changes** or **Quit Without Saving**. Use the **Tilt** control to move the highlight bar up and down on the screen.

- If you want to keep the changes you made, move the highlight bar to **Exit and Save Changes**, then press **Focus Far**. The utility closes.
- If you want to exit without making changes, highlight **Quit Without Saving**, then press **Focus Far**. The following prompt appears on the screen:

Data Not Saved. Quit Anyway?

**No**

Press **Zoom In** or **Zoom Out** to toggle the setting. If you want to cancel the changes, select **Yes**, then press **Focus Far**. If you want to keep the changes, select **No**, then press **Focus Far**. If you choose **No**, the Dome Configuration Menu is displayed.

---

**Note** If areas are programmed, you *cannot* restore the old area boundaries by quitting without saving changes from the Dome Configuration Menu. Areas are the only settings that will not be restored by selecting Quit Without Saving.

---

## Password Protection

To prevent unauthorized users from starting the configuration utility, you can enable password protection.

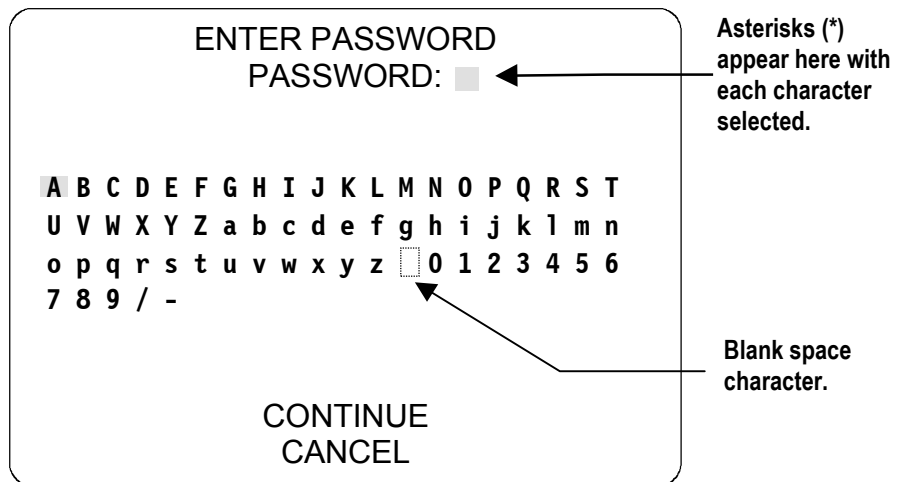


Figure Chapter 1 -2: Enter Password Screen

This will require users to enter the password before the Dome Configuration Menu will display. The password may be from 1 to 8 characters long.

- Use the **Pan** or **Tilt** control move the cursor around the character field.
- Press **Focus Far** to enter the highlighted character.

- Press **Zoom In** to move the cursor in the Password field to the right; press **Zoom Out** to move the cursor in the Password field to the left.

As each character in the password is selected, asterisks (\*) appear in the Password field. When you have finished entering the password, use the **Tilt** control to move the highlight bar to Continue, then press **Focus Far**. If the password has been correctly entered, the Dome Configuration Menu appears. If the password was not entered correctly, the Enter Password screen remains on the monitor.

If you do not want to start the configuration utility, use the **Tilt** control to move the highlight bar to Cancel, then press **Focus Far**.



## **I M P O R T A N T**

If you forget the password, contact technical support for instructions about overriding the existing password.

---

## **Restoring Factory Settings**

---

**Note** Selecting Reset to Factory Settings from the Dome Configuration Menu *does not* change the following settings: Camera Name, Alarm Names, Area Names, Preset Names, Pattern Names, Area Boundaries, and Presets. To reset names to the default settings, refer to Chapter 5, *On-Screen Text Display Settings*.

---

Some screens provide a choice to Reset to Factory Settings. This choice applies only to those settings currently available on the screen displayed. To reset all configuration settings, choose Reset to Factory

Settings from the Dome Configuration Menu. You will see the following prompt:

Reset to Factory Settings

No

Press **Zoom In** or **Zoom Out** to toggle the setting. If you want to restore the factory settings, select Yes, then press **Focus Far**. If you do not want to restore the factory settings, select No, then press **Focus Far**.

## Where To Go Next

Now that you understand how to start and work with the configuration utility, you are ready to begin changing the settings for your SpeedDome Ultra III Camera Dome. Use the following chart to determine which chapters you should use next.

Chapter	Topics Covered
<i>Chapter 2: Pan, Tilt, and Zoom Options</i>	<ul style="list-style-type: none"><li>• Set the “flip” feature (rotates dome 180°)</li><li>• Set zoom stop (12X or 18X) and maximum zoom (up to 96X)</li></ul>
<i>Chapter 3: Camera and Lens Functions</i>	<ul style="list-style-type: none"><li>• Set line lock (prevents vertical rolling when camera is switched)</li><li>• Enable automatic or manual gain settings</li><li>• Enable automatic or manual white balance settings (red-blue and magenta-green values)</li></ul>

## Chapter

## Topics Covered

---

*Chapter 4: Alarms, Areas, and Home Settings*

- Set alarm actions (preset, pattern, or no action)
- Configure normal input states for alarms (open or closed)
- Send input states to host controller
- Set “home” position for dome
- Program area boundaries
- Program presets

*Chapter 5: On-Screen Text Display Settings*


- Display or hide dome status information
- Display or hide camera, preset, pattern, area or alarm name information
- Display diagnostic information or “splash” screen during dome reset
- Assign names to camera, presets, patterns, areas, and alarms
- Reset all names to factory defaults
- Set text attributes (outline and translucent characters)

*Chapter 6: Language and Password Settings*

- Choose the language for the menus and prompts
- Set password; enable or disable password feature

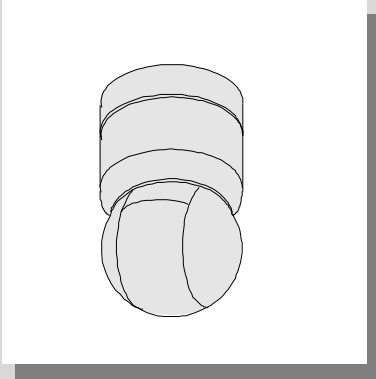
## Keeping Records

Appendix A, *Records*, summarizes the default values for each configuration setting. In addition, it provides space for writing information about the



settings you change. Be sure to keep records for each SpeedDome Ultra III Camera Dome installed at your facility.

## CHAPTER 2



# Pan, Tilt, and Zoom Options

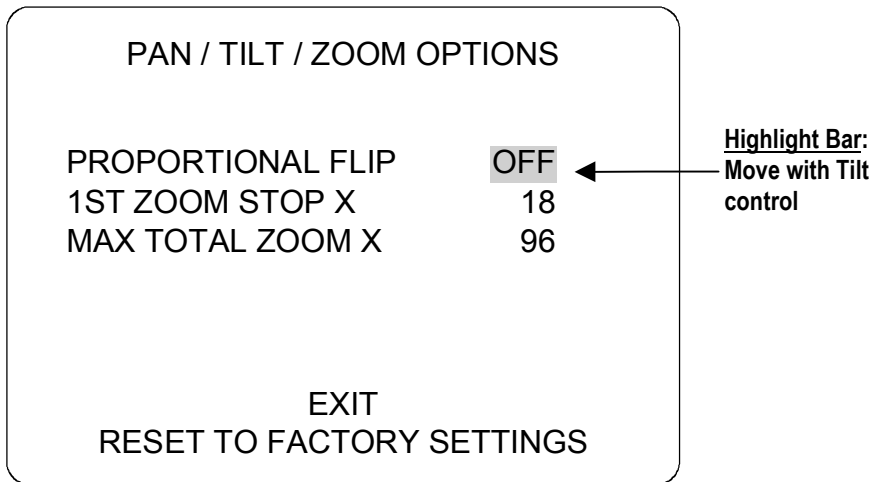
### In This Chapter

---

- Overview of Pan, Tilt, and Zoom Settings
- Setting the “Flip” Feature
- Setting Zoom Stop Factors
- What To Do Next

## Overview of Pan, Tilt, and Zoom Settings

When Pan/Tilt/Zoom Options is selected from the Dome Configuration Menu, the following screen appears:



**Figure Chapter 2 -1: Pan / Tilt / Zoom Screen**

From this screen you can, enable or disable the flip feature and set the first zoom stop and maximum zoom settings.

- To move the highlight bar, use the **Tilt** control.
- Pressing **Zoom Out** or **Zoom In** changes value of the selected setting.
- If you want to save your changes, move the highlight bar to Exit, then press **Focus Far** to return to the Dome Configuration Menu.
- If you want to change the settings for this screen to the factory defaults, move the highlight bar to Reset to Factory Settings, then press **Focus Far**.

## Setting the Automatic “Flip” Feature

The automatic (or proportional) “flip” feature allows the dome to automatically turn 180-degrees when the camera tilts to its lower limit and stays in that position for a brief delay. The duration of the delay is inversely proportional to the tilt speed.

When the dome flips (rotates), the camera starts moving upward as long as the tilt control is kept in the down position. Once the tilt control is released, the control returns to its normal operational mode. The flip feature is useful when you need to track someone who walks directly beneath the dome and continues on the other side.

When the flip feature is disabled, the dome stops when the tilt down stop is reached.

To change the flip setting:

1. Select **Pan/Tilt/Zoom Options** from the **Dome Configuration Menu**.

The highlight bar appears on the **Proportional Flip** setting.

2. Press **Zoom Out** or **Zoom In** to toggle the setting.
  - If you want the flip feature enabled, select **On**.
  - If you want the flip feature disabled, select **Off**.

**The default setting is Off.**

3. Do one of the following:
  - If you want to make changes to the zoom stop settings, continue with *Setting the Zoom Stop Factors* on page 2-4.
  - If you are finished making changes, press and hold **Iris Close**, then press **Focus Near** or **Focus Far** to save your changes and exit the utility.
  - If you want to make changes to other settings, use the **Tilt** control to move the highlight bar to **Exit**, then press **Focus Far**. The **Dome Configuration Menu** appears. Continue with *What To Do Next* on page 2-6.

## Setting the Zoom Stop Factors

**Zoom stop factors** define how to partition the zoom function. For example, the first zoom stop is set to 18X, and the maximum zoom is set to 48X. If the current zoom factor is 8X, pressing **Zoom In** continuously causes the zoom to stop at 18X. If the current zoom factor is 18X (or greater), pressing **Zoom In** continuously causes the zoom to stop at 48X. The second zoom stop will be in effect until the zoom factor is reduced to less than the first zoom factor (18X) and the zoom button is released for one second or longer.

The margin of error for the zoom stop factor is  $\pm 2X$  for SpeedDome Ultra III.

### Setting the First Zoom Stop

1. Select Pan/Tilt/Zoom Options from the Dome Configuration Menu.
2. Use the **Tilt** control to move the highlight bar to the 1st Zoom Stop X setting.
3. Press **Zoom Out** or **Zoom In** to change the setting.
  - If you want the first zoom stop to be 12X magnification, select 12.
  - If you want the first zoom stop to be 18X magnification, select 18.

**The default setting is 18.**
4. Do one of the following:
  - If you want to change the maximum zoom setting, continue with *Changing the Maximum Zoom Setting* on page 2-5.
  - If you want to make changes to the flip setting, refer to *Setting the Automatic “Flip” Feature* on page 2-3.
  - If you are finished making changes, press and hold **Iris Close**, then press **Focus Near** or **Focus Far** to save your changes and exit the utility.

- If you want to make changes to other settings, use the **Tilt** control to move the highlight bar to Exit, then press **Focus Far**. The Dome Configuration Menu appears. Continue with *What To Do Next* on page 2-6.

## Changing the Maximum Zoom Setting

1. Select Pan/Tilt/Zoom Options from the Dome Configuration Menu.
2. Use the **Tilt** control to move the highlight bar to the Max Total Zoom X setting.

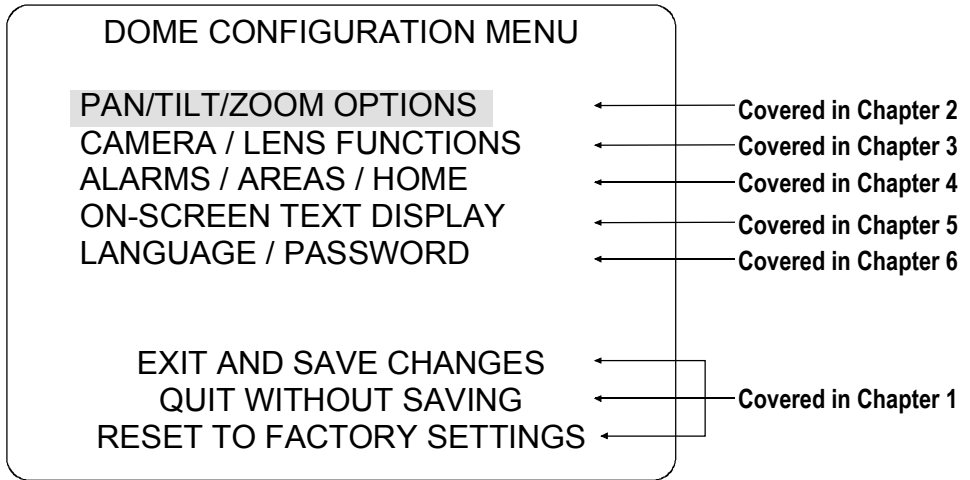
The values for the setting are: 24X, 36X, 48X, 60X, 72X, 84X, and 96X magnification.

**The default setting is 48.**

3. Press **Zoom Out** to decrease the value of the setting.  
Press **Zoom In** to increase the value of the setting.
4. Do one of the following:
  - If you want to make changes to the flip setting, refer to *Setting the Automatic “Flip” Feature* on page 2-3.
  - If you want to make changes to the first zoom stop, refer to *Setting the First Zoom Stop* on page 2-4.
  - If you are finished making changes, press and hold **Iris Close**, then press **Focus Near** or **Focus Far** to save your changes and exit the utility.
  - If you want to make changes to other settings, use the **Tilt** control to move the highlight bar to Exit, then press **Focus Far**. The Dome Configuration Menu appears. Continue with *What To Do Next* on page 2-6.

## What To Do Next

When you select Exit from the Pan/Tilt/Zoom Options screen, the Dome Configuration Menu appears.



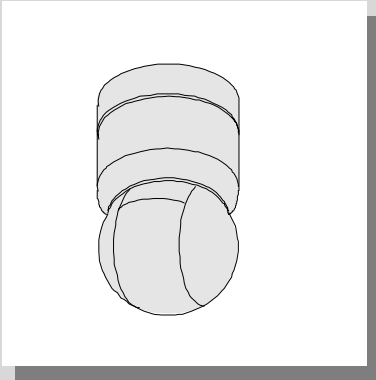
**Figure Chapter 2 -2: Dome Configuration Menu**

From this screen you can:

- Select an option to make additional changes. These topics are covered in chapters 2 through 6.
- Save the changes you made and exit the utility. This topic is covered in Chapter 1.
- Exit the utility without saving changes. This topic is covered in Chapter 1.
- Restore all settings to the factory defaults. This topic is covered in Chapter 1.

Use the **Tilt** control to move the highlight bar to selection you want to use, then press **Focus Far**. Refer to the related chapter for additional information.

## CHAPTER 3



# Camera and Lens Functions

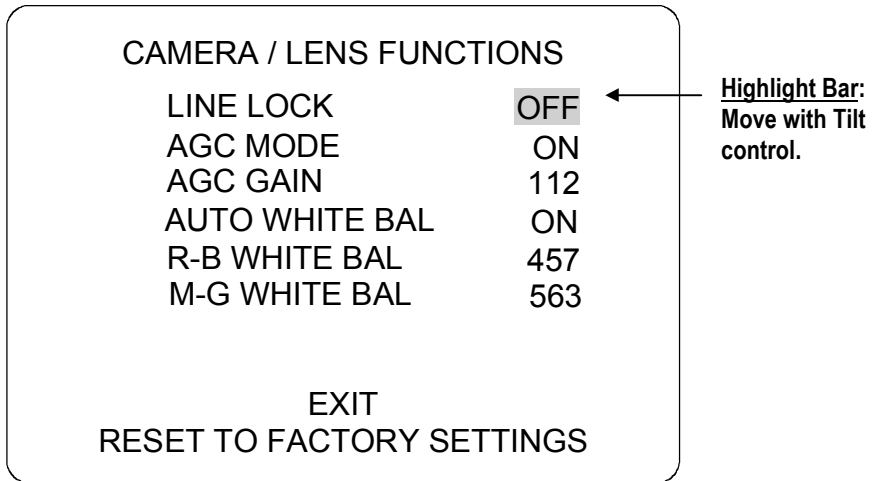
### In This Chapter

---

- Overview of Camera and Lens Settings
- Setting Line Lock
- Automatic Gain Control Settings
- Adjusting White Balance
- What To Do Next

## Overview of Camera and Lens Function Settings

When Camera / Lens Functions is selected from the Dome Configuration Menu, the following screen appears:



**Figure Chapter 3 -1: Camera and Lens Functions Screen**

From this screen you can set the line lock to prevent video rolling, set automatic gain control to either automatic or manual, and adjust the white balance settings.

- To move the highlight bar, use the **Tilt** control.
- Pressing **Zoom Out** or **Zoom In** changes value of the selected setting.
- When you finish making changes, move the highlight bar to Exit, then press **Focus Far** to return to the Dome Configuration Menu.
- If you want to change the settings for this screen to the factory defaults, move the highlight bar to Reset to Factory Settings, then press **Focus Far**.

## Setting Line Lock

Use the Line Lock setting to prevent vertical rolling or adjust the appearance of overlay text on color monitors.

If you experience problems with vertical video rolling when switching multiple cameras to a single monitor, enabling the line lock will phase lock the video with the AC power line. All cameras connected to the same power supply will be synchronized. This synchronization prevents the video from rolling vertically when cameras are switched.

To change the line lock setting:

1. Select Camera / Lens Functions from the Dome Configuration Menu.

The highlight bar appears on the Line Lock setting.

2. Press **Zoom Out** or **Zoom In** to change the setting.
  - If you want to enable the line lock, select On.
  - If you want to disable the line lock, select Off.

**The default setting is On.**

3. Do one of the following:
  - If you want to make changes to the automatic gain control settings, refer to *Automatic Gain Control Settings* on page 3-4.
  - If you want to make changes to the white balance settings, refer to *Adjusting White Balance* on page 3-6.
  - If you are finished making changes, press and hold **Iris Close**, then press **Focus Near** or **Focus Far** to save your changes and exit the utility.
  - If you want to make changes to other settings, use the **Tilt** control to move the highlight bar to **Exit**, then press **Focus Far**. The

---

Dome Configuration Menu appears. Continue with *What To Do Next* on page 3-10.

---

**Note** The change in line lock setting is not immediate. The dome must reinitialize (reset) for the change in the line lock setting to take place. When you exit the configuration utility, you will receive the following prompt:

**DOME MUST RESET TO  
CHANGE LINE LOCK MODE.**

**RESET DOME NOW?**

**NO**

Press **Zoom In** or **Zoom Out** to toggle the selection. If you do not want to reinitialize the dome, select **No**, then press **Focus Far**. If you want to reinitialize the dome, select **Yes**, then press **Focus Far**.

**The default selection is No.**

---

## Automatic Gain Control Settings

*Automatic Gain Control* (AGC) allows for the amplification of the video signal in scenes with minimal ambient light. Many low-light scenes result in picture noise. As gain is increased, the picture noise is also amplified.

When AGC is enabled, the value of the gain setting is based on feedback from the camera. When AGC is disabled, the camera uses the value set for the manual gain setting. The trade-off between picture level and noise may be adjusted when AGC is disabled.

## Setting the AGC Mode

1. Select Camera / Lens Functions from the Dome Configuration Menu.
2. Use the **Tilt** control to move the highlight bar to the AGC Mode setting.
3. Press **Zoom Out** or **Zoom In** to change the setting.
  - If you want the AGC to be automatic, select On.
  - If you want the AGC to be manual, select Off. Then continue with *Changing the AGC Manual Gain Setting* on page 3-5.**The default setting is On.**

1. Do one of the following:
  - If you want to make changes to the line lock setting, refer to *Setting Line Lock* on page 3-3.
  - If you want to make changes to the white balance settings, refer to *Adjusting White Balance* on page 3-6.
  - If you are finished making changes, press and hold **Iris Close**, then press **Focus Near** or **Focus Far** to save your changes and exit the utility.
  - If you want to make changes to other settings, use the **Tilt** control to move the highlight bar to Exit, then press **Focus Far**. The Dome Configuration Menu appears. Continue with *What To Do Next* on page 3-10.

## Changing the AGC Manual Gain Setting

---

**Note** AGC Mode must be set to Off to make changes to this setting.

---

1. Select Camera / Lens Functions from the Dome Configuration Menu.
2. Use the **Tilt** control to move the highlight bar to the AGC Gain setting.
3. Press **Zoom Out** to decrease value of the setting.  
Press **Zoom In** to increase the value of the setting.

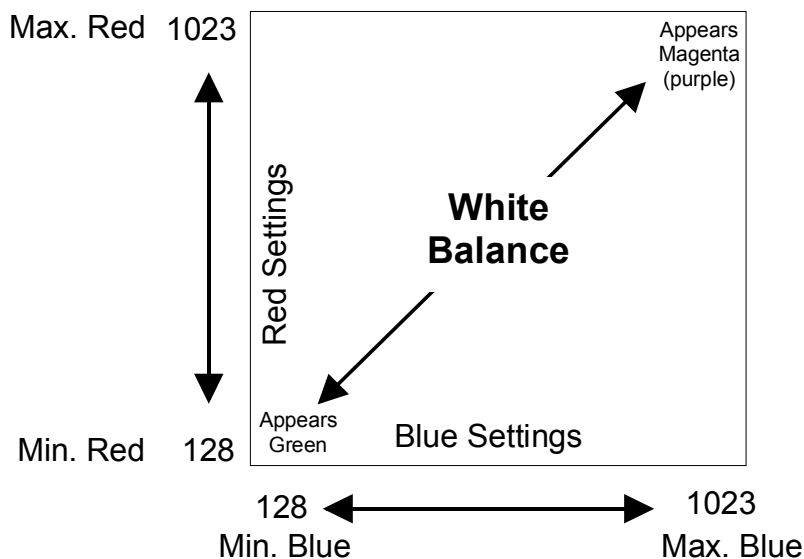
The values for the setting range from 0 to 448.

4. Do one of the following:
  - If you want to make changes to the line lock setting, refer to *Setting Line Lock* on page 3-3.
  - If you need to make adjustments in the white balance, refer to *Adjusting White Balance* on page 3-6.
  - If you are finished making changes, press and hold **Iris Close**, then press **Focus Near** or **Focus Far** to save your changes and exit the utility.
  - If you want to make changes to other settings, use the **Tilt** control to move the highlight bar to Exit, then press **Focus Far**. The Dome Configuration Menu appears. Continue with *What To Do Next* on page 3-10.

## Adjusting White Balance

White balance is normally compensated for by the automatic white balance gain control. In some lighting conditions, you may need to manually adjust the red and blue settings for optimal viewing.

When Automatic White Balance is enabled, the red and blue setting values are based on feedback from the camera. When Automatic White Balance is disabled, the camera uses the red and blue setting values to control the white balance. The following illustration depicts the relationship between the red blue settings to white balance.



**Figure Chapter 3 -2: White Balance Settings**

As the value for the red setting increases, the image appears more red; as the value decreases, the image appears more blue. The range of the red setting is 128 (minimum red) to 1023 (maximum red).

As the value for the blue setting increases, the image appears more blue; as the value decreases, the image appears more red. The range for the blue setting is 128 (minimum blue) to 1023 (maximum blue).

As the values for both the red and blue settings are increased, the image appears more magenta (purple). As the values for both the red and blue settings are decreased, the image appears more green.

## Setting the Automatic White Balance Feature

1. Select Camera / Lens Functions from the Dome Configuration Menu.
2. Use the **Tilt** control to move the highlight bar to the Auto White Bal setting.

3. Press **Zoom Out** or **Zoom In** to change the setting.
  - If you want the white balance to be automatic, select **On**.
  - If you want manually adjust the red or blue settings, select **Off**. Then continue with *Changing the Red and Blue Settings* on page 3-8.

**The default setting is On.**

4. Do one of the following:
  - If you want to make changes to the line lock setting, refer to *Setting Line Lock* on page 3-3.
  - If you want to make changes to the automatic gain control settings, refer to *Automatic Gain Control Settings* on page 3-4.
  - If you are finished making changes, press and hold **Iris Close**, then press **Focus Near** or **Focus Far** to save your changes and exit the utility.
  - If you want to make changes to other settings, use the **Tilt** control to move the highlight bar to **Exit**, then press **Focus Far**. The Dome Configuration Menu appears. Continue with *What To Do Next* on page 3-10.

## Changing the Red and Blue Settings

---

**Note** Auto White Bal must be set to Off to make changes to this setting.

---

1. Select Camera / Lens Functions from the Dome Configuration Menu.
2. If you want to make changes to the red setting, use the **Tilt** control to move the highlight bar to **Red White Bal**, then continue with step 3.

If you want to make changes to the blue setting, continue with step 4.

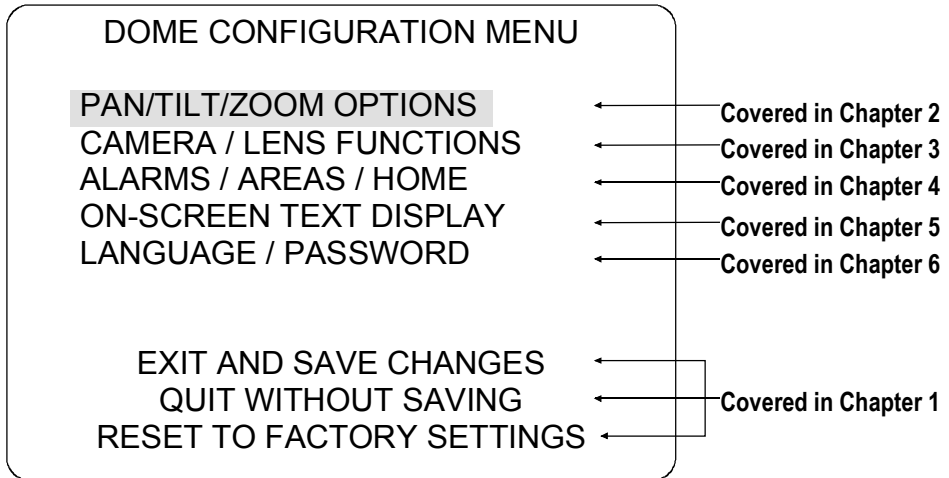
3. Press **Zoom In** or **Zoom Out** to adjust the setting. The values range from 128 to 1023.
  - Press **Zoom In** to increase the value of the setting.
  - Press **Zoom Out** to decrease value of the setting.

**There is no default value for the red setting.**
4. Do one of the following:
  - If you want to make changes to the blue setting, use the **Tilt** control to move the highlight bar to **Blue White Bal**, then continue with step 5.
  - If you are finished making changes, continue with step 6.
5. Press **Zoom In** or **Zoom Out** to adjust the setting. The values range from 128 to 1023.
  - Press **Zoom In** to increase the value of the setting.
  - Press **Zoom Out** to decrease value of the setting.

**There is no default value for the blue setting.**
6. Do one of the following:
  - If you want to make changes to the line lock setting, refer to *Setting Line Lock* on page 3-3.
  - If you need to make adjustments in the automatic gain control, refer to *Automatic Gain Control Settings* on page 3-4.
  - If you are finished making changes, press and hold **Iris Close**, then press **Focus Near** or **Focus Far** to save your changes and exit the utility.
  - If you want to make changes to other settings, use the **Tilt** control to move the highlight bar to **Exit**, then press **Focus Far**. The Dome Configuration Menu appears. Continue with *What To Do Next* on page 3-10.

## What To Do Next

When you select Exit from the Camera / Lens Functions screen, the Dome Configuration Menu appears.



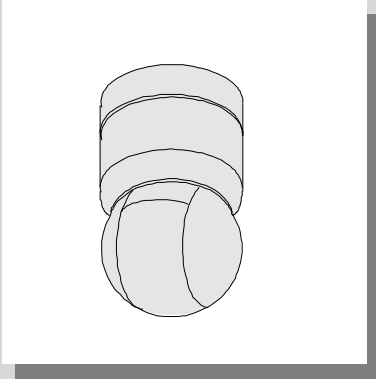
**Figure Chapter 3 -3: Dome Configuration Menu**

From this screen you can:

- Select an option to make additional changes. These topics are covered in chapters 2 through 6.
- Save the changes you made and exit the utility. This topic is covered in Chapter 1.
- Exit the utility without saving changes. This topic is covered in Chapter 1.
- Restore all settings to the factory defaults. This topic is covered in Chapter 1.

Use the **Tilt** control to move the highlight bar to selection you want to use, then press **Focus Far**. Refer to the related chapter for additional information.

## CHAPTER 4



# Alarms, Areas, and Home Settings

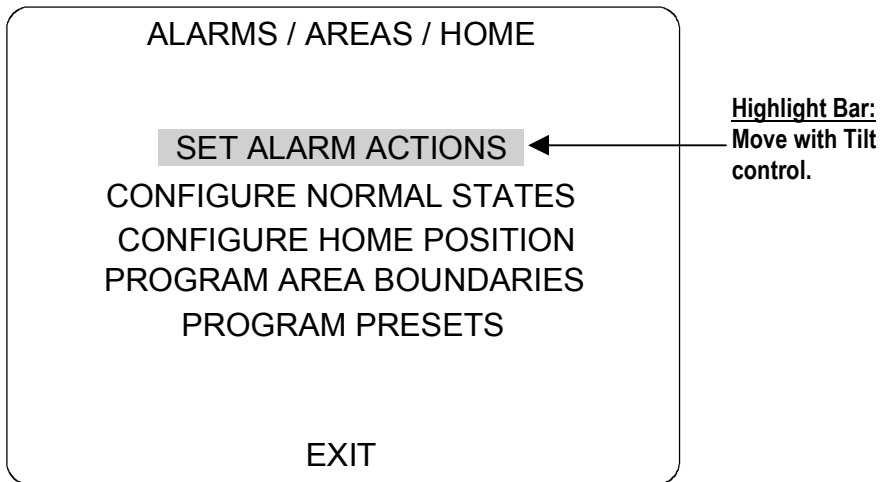
### In This Chapter

---

- Overview of Alarms, Areas, and Home Position Settings
- Configuring Alarm Actions
- Configuring Normal Input States
- Assigning the Dome's Home Position
- Programming Area Boundaries
- Programming Presets
- What To Do Next

# Overview of Alarms, Areas, and Home Position Settings

When Alarms/Areas/Home is selected from the Dome Configuration Menu, the following screen is displayed:



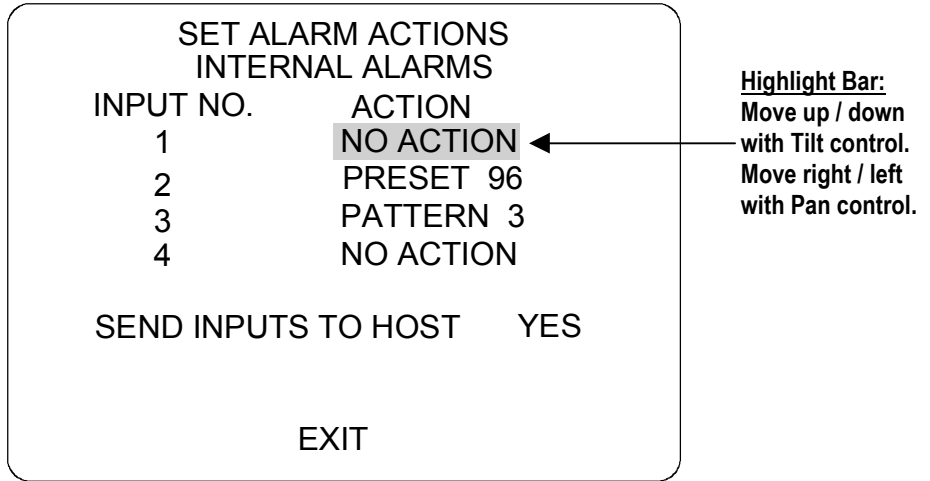
**Figure Chapter 4 -1: Alarm / Areas / Home Screen**

From this menu you can choose to configure alarm actions, configure normal states for alarm inputs, set area boundaries, program presets, and assign the “home position” for the dome.

- To move the highlight bar, use the **Tilt** control. Press **Focus Far** to make a selection.
- Pressing **Zoom Out** or **Zoom In** changes the value of the settings on the subsequent screens.
- When you finish making changes, move the highlight bar to **Exit**. Press **Focus Far** to return to the Dome Configuration Menu.

# Configuring Alarm Actions

When Set Alarm Actions is selected from Alarms/Areas/Home screen, the following screen is displayed:



**Figure Chapter 4 -2: Set Alarm Actions Screen**

Alarms can be processed internally by the dome, externally by the controller, or both. Internal alarms are configured by setting a preset or pattern.

A *preset* is a programmed video scene, based on a specific pan, tilt, zoom, and focus settings. A *pattern* is a series of pan, tilt, zoom and focus movements from a single programmable dome.

For each of the four alarm inputs, you can choose to display a preset or pattern whenever the alarm's input state changes from normal to abnormal. Or you may choose to have no internal alarm associated with the input. You may also choose to send changes in the input state to the host controller. If the changes in input state are sent to the host, the host actions have higher priority than the associated dome actions.

---

**Note** An active internal alarm only resets when the input state changes to “normal.” A manual reset is *not* available.

---

## Assigning Alarm Actions

---



### I M P O R T A N T

Certain controllers allow the alarm actions for domes to be specified at the controller. These controllers include VM16 Plus, VM32, VM96, ADTT16, AD matrices with AD2083-02A code units, or AD168 with CCM or AD2083-02A. **Do not use both the dome configuration utility and the controller to assign the alarm actions for the same input.** Use *only* the dome configuration utility *or* the controller to assign the alarm actions.

---

To configure alarm actions, do the following:

1. Select Alarms/Areas/Home from the Dome Configuration Menu.  
The highlight bar appears on the Set Alarm Actions option. Press **Focus Far** to select.
2. Use the **Tilt** control to move the highlight bar to the appropriate alarm input.
3. Press **Zoom In** or **Zoom Out** to change the setting.
  - If you want the action to be a preset, choose Preset then continue with step 4.
  - If you want the action to be a pattern, choose Pattern then continue with step 4.
  - If you do not want a special action for this input, choose No Action then continue with step 5.  
**The default setting is No Action.**

4. Use **Pan Right** to move the highlight bar to the Action Number field, then press **Zoom In** or **Zoom Out** to change the setting.
  - If the alarm action is a preset, select the number between 1-96 for the preset you want to assign.  
If the preset has not been programmed, preset programming automatically starts. Refer to *Programming Presets* on page 4-15.  
If the preset has been programmed, continue with step 5.
  - If the alarm action is a pattern, then select the number between 1-3 for the pattern you want to assign. Then continue with step 5.
5. If you need to make additional changes to the alarm actions for this dome repeat steps 3 through 5. When finished, continue with step 6.
6. Use the **Tilt** control to move the highlight bar to Send Inputs to Host.
7. Press **Zoom In** or **Zoom Out** to change the setting.
  - If you want changes in the input states to be forwarded to the host controller, choose Yes. Continue with step 8.
  - If you do not want changes in the input states to be forwarded to the host controller, choose No. Continue with step 8.

**The default setting is Yes.**

8. Use the **Tilt** control to move the highlight bar to Exit. Press **Focus Far** to return to the Alarm/Areas/Home screen, then continue with step 9.
9. When the Alarm/Areas/Home screen appears, do one of the following:
  - If you want to configure the input states, continue with *Configuring Normal Input States* on page 4-6.
  - If you want to set the “home” position, continue with *Assigning the Dome’s Home Position* on page 4-9.
  - If you want to define areas, continue with *Programming Area Boundaries* on page 4-11.

- If you want to define presets, continue with *Programming Presets* on page 4-15.
- If you are finished making changes, press and hold **Iris Close**, then press **Focus Near** or **Focus Far** to save your changes and exit the utility.
- If you want to make changes to other settings, use the **Tilt** control to move the highlight bar to **Exit**, then press **Focus Far**. The Dome Configuration Menu appears. Continue with *What To Do Next* on page 4-18.

## Configuring Normal Input States

---

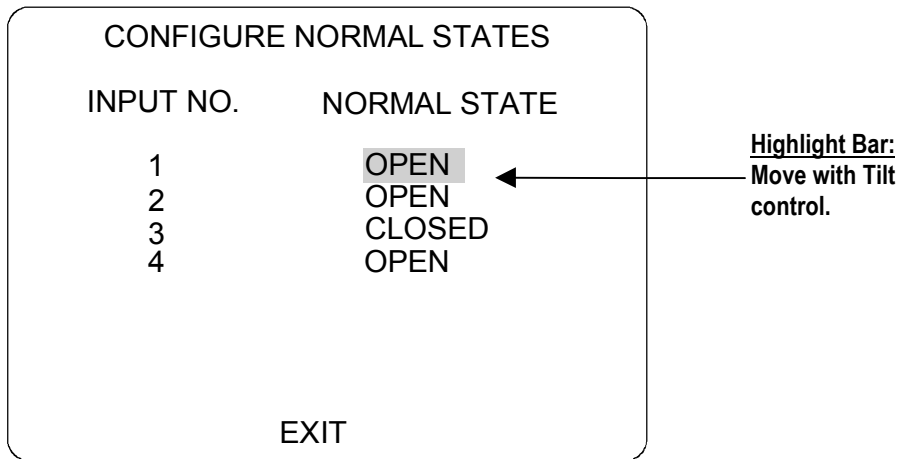


### IMPORTANT

Certain controllers allow the normal input states for domes to be specified at the controller. These controllers include VM96, AD2083, and AD168. **Do not use both the dome configuration utility and the controller to assign the normal input states.** Use *only* the dome configuration utility *or* the controller to assign the normal input states.

---

When **Configure Normal States** is selected from the **Alarm/Areas/Home** screen, the following is displayed:



**Figure Chapter 4 -3: Configure Normal States Screen**

Use this screen to assign open or closed as the normal state for the dome inputs. When an input state changes from normal to abnormal and an internal alarm action is associated with the input, the alarm is triggered. The normal state is used by both internal alarms and controller defined alarms.

### Setting Normal Input States

To set the normal input states, do the following:

1. Select Alarms/Areas/Home from the Dome Configuration Menu.
2. Use the **Tilt** control to move the highlight bar to Configure Normal States, then press **Focus Far**.
3. Use the **Tilt** control to move the highlight bar to the appropriate input line.



## IMPORTANT

In most cases, the normal input state for a dome's input should match the contact type of the connected switch. For example, assigning a normal input state of “closed” when the contact type for the switch is “open” triggers an internally-defined dome alarm when the dome input changes from closed to open.

---

4. Press **Zoom In** or **Zoom Out** to toggle the setting.
  - If the normal input state for the input is open, select **Open**.
  - If the normal input state for the input is closed, select **Closed**.

**The default setting is Open.**

5. Repeat steps 3 and 4 for each input you need to change. When finished, continue with step 6.
6. Use the **Tilt** control to move the highlight bar to **Exit**. Press **Focus Far** to return to the **Alarms/Areas/Home** screen.
7. When the **Alarms/Areas/Home** screen appears, do one of the following:
  - If you want to configure the alarm actions, continue with *Configuring Alarm Actions* on page 4-3.
  - If you want to set the “home” position, continue with *Assigning the Dome’s Home Position* on page 4-9.
  - If you want to define areas, continue with *Programming Area Boundaries* on page 4-11.
  - If you want to define presets, continue with *Programming Presets* on page 4-15.

- If you are finished making changes, press and hold **Iris Close**, then press **Focus Near** or **Focus Far** to save your changes and exit the utility.
- If you want to make changes to other settings, use the **Tilt** control to move the highlight bar to Exit, then press **Focus Far**. The Dome Configuration Menu appears. Continue with *What To Do Next* on page 4-18.

## Assigning the Dome's Home Position

When Configure Home Position is selected from the Alarms/Areas/Home screen, the following is displayed:

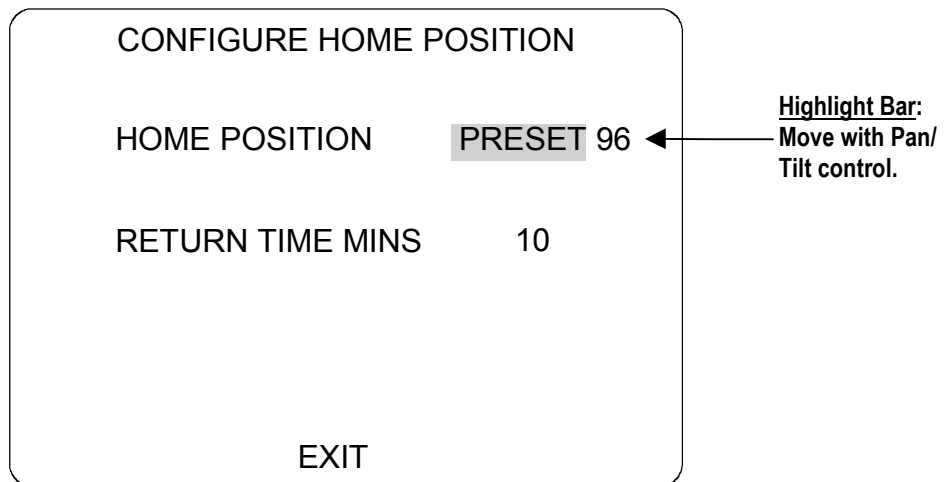


Figure Chapter 4 -4: Configure Home Position Screen

Use this screen if you want the dome return to a preset or run a pattern after a specified period of inactivity.

---

**Note** When a pattern is selected as the home position, the pattern runs until it stopped manually by issuing a camera command, such as tilt or focus.

---

## Setting the Home Position

1. Select Alarms/Areas/Home from the Dome Configuration Menu.
2. Use the **Tilt** control to move the highlight bar to Configure Home Position, then press **Focus Far**.

The highlight bar appears on the Home Position setting.

3. Press **Zoom In** or **Zoom Out** to change the setting.
  - If you want the home position to be a preset, select Preset, then continue with step 4.
  - If you want the home position to be a pattern, select Pattern, then continue with step 4.
  - If you do not want to set a home position, select No Action, then continue with step 6.

**The default setting is No Action.**

4. Use **Pan Right** to move the highlight bar to the Number field, then press **Zoom In** or **Zoom Out** to change the setting.
  - If the home position is a preset, select the number between 1–96 for the preset you want to assign.

If the preset has *not* been programmed, preset programming automatically starts. Refer to *Programming Presets* on page 4-15.

If the preset has been programmed, continue with step 5.

- If the home position is a pattern, the select the number between 1–3 for the pattern you want to assign. Continue with step 5.
5. Use the **Tilt** control to move the highlight bar to Return Time Mins. Press **Zoom Out** or **Zoom In** to set the amount of time that the dome must remain inactive before returning to the home position.

The range for the setting is 1 to 60 minutes.

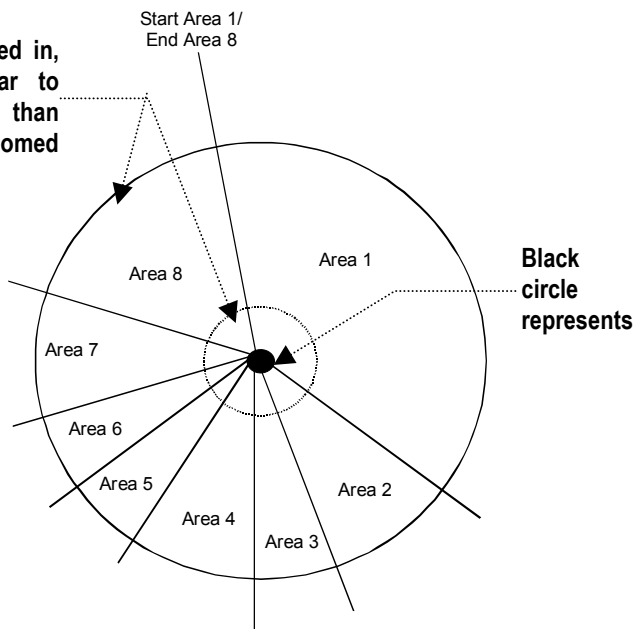
**The default setting is 10 minutes.**

6. Use the **Tilt** control to move the highlight bar to Exit. Press **Focus Far** to return to the Alarms/Areas/Home screen. Continue with step 7.
7. When the Alarms/Areas/Home screen appears, do one of the following:
  - If you want to configure the alarm actions, continue with *Configuring Alarm Actions* on page 4-3.
  - If you want to configure the input states, continue with *Configuring Normal Input States* on page 4-6.
  - If you want to define areas, continue with *Programming Area Boundaries* on page 4-11.
  - If you want to define presets, continue with *Programming Presets* on page 4-15.
  - If you are finished making changes, press and hold **Iris Close**, then press **Focus Near** or **Focus Far** to save your changes and exit the utility.
  - If you want to make changes to other settings, use the **Tilt** control to move the highlight bar to Exit, then press **Focus Far**. The Dome Configuration Menu appears. Continue with *What To Do Next* on page 4-18.

## Programming Area Boundaries

*Areas* are programmed start and end points of a camera's viewing area. Each area is a part of a circular viewing area that extends around the dome. The areas can be different sizes, as shown in the following illustration:

When zoomed in,  
areas appear to  
be smaller than  
when zoomed

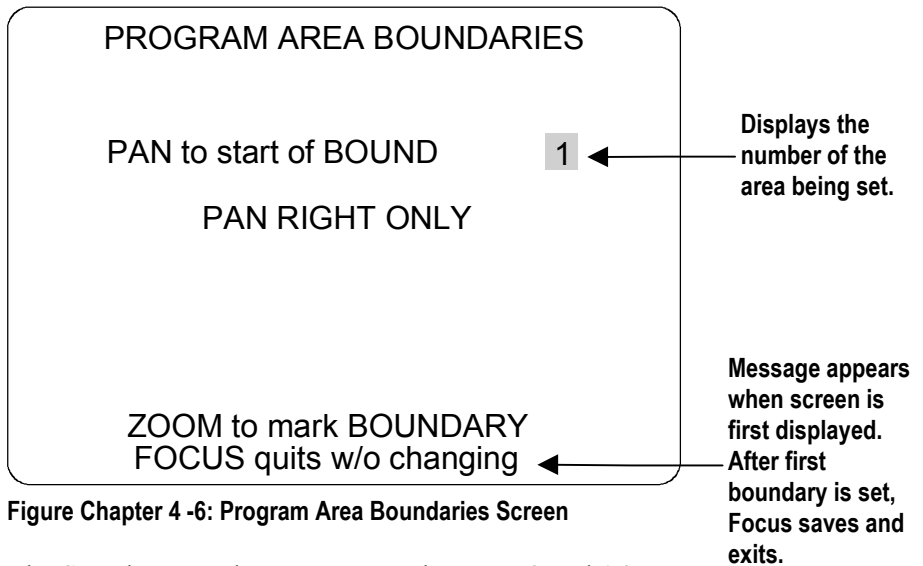


**Figure Chapter 4 -5: An example of areas**

The end point of one area is the starting point for the next area. The end point of the last area cannot go past the starting point of the first area. If your controller supports areas, these are separate from the areas you can program with SpeedDome Ultra III. You should not use both the controller and the configuration utility to define areas.

The zoom setting also affects how large areas appear. If you are zoomed in to an area, the area may appear to be quite small. When the dome is panned, boundaries for the area may appear to be quite close. However, if you are zoomed out, the area appears to be considerably larger. When the dome is panned, boundaries for the area appear to be further apart. With this in mind, it will be easier to establish area boundaries if your zoom factor is small than if the zoom factor is large.

When Program Area Boundaries is selected from the Alarms/Areas/Home screen, the following appears:



**Figure Chapter 4 -6: Program Area Boundaries Screen**

The SpeedDome Ultra III supports between 2 and 16 areas.



### **I M P O R T A N T**

If areas are programmed, you cannot restore the old boundaries by selecting *Quit Without Saving* from the *Dome Configuration Menu*. Be aware of this limitation if you begin to make changes to the boundaries and change your mind.

## **Setting Area Boundaries**

**Note** When areas are programmed, each area is assigned a default name. Instructions for assigning new names appear in Chapter 5.

1. Select *Alarms/Areas/Home* from the *Dome Configuration Menu*.

2. Use the **Tilt** control to move the highlight bar to Programming Area Boundaries, then press **Focus Far**.

The Program Area Boundaries screen appears:

3. Use the **Pan** control to position the camera at the starting point of the first area, then press **Zoom In** or **Zoom Out**.
4. Use the **Pan Right** control to move the camera to the right until the ending point of the area is seen. *If you attempt to pan left, the error message in the note below appears.*
5. Press **Zoom In** or **Zoom Out** to set the end point of the area. The area number automatically advances.
6. Repeat steps 4 and 5 for each area you want to establish.

---

**Note:** You will see the following error message under certain conditions:

**Error programming areas  
Focus Far to continue.**

- If you attempt to program a boundary that passes the starting point of the first area
- If you move the camera left after establishing the first boundary

Return to step 1 and start again.

---

7. When the last area boundary is set, press **Focus Far**. The following confirmation message appears:

**Areas saved successfully  
Focus Far to continue.**

Press **Focus Far** to continue.

8. When the Alarms/Areas/Home screen appears, do one of the following:
  - If you want to configure the alarm actions, continue with *Configuring Alarm Actions* on page 4-3.

- If you want to configure the input states, continue with *Configuring Normal Input States* on page 4-6.
- If you want to set the “home” position, continue with *Assigning the Dome’s Home Position* on page 4-9.
- If you are finished making changes, press and hold **Iris Close**, then press **Focus Near** or **Focus Far** to save your changes and exit the utility.
- If you want to make changes to other settings, use the **Tilt** control to move the highlight bar to **Exit**, then press **Focus Far**. The **Dome Configuration Menu** appears. Continue with *What To Do Next* found on page 4-18.

## Programming Presets

A *preset* is a programmed video scene with automatic pan, tilt, zoom, focus and iris settings. For the SpeedDome Ultra III, presets may be assigned to alarm actions or as the “home” position for the dome. The SpeedDome Ultra III supports 96 presets whose positions are saved in the dome's firmware.

View Manager<sup>®</sup> 96, AD2083, and AD168 video matrix switchers support “virtual” views. This means that the pan, tilt, zoom, focus, and iris settings are stored within the controller, not the dome. You cannot use the views that you define on those systems as the home position or an alarm action. You must use the presets programmed using this utility.

### Setting Presets

---

**Note** When presets are programmed, each preset is assigned a default name. Instructions for assigning new names appear in Chapter 5.

---

1. Select **Alarms/Areas/Home** from the **Dome Configuration Menu**.

2. Use the **Tilt** control to move the highlight bar to Programming Presets, then press **Focus Far**.

The Select Preset to Program screen appears:

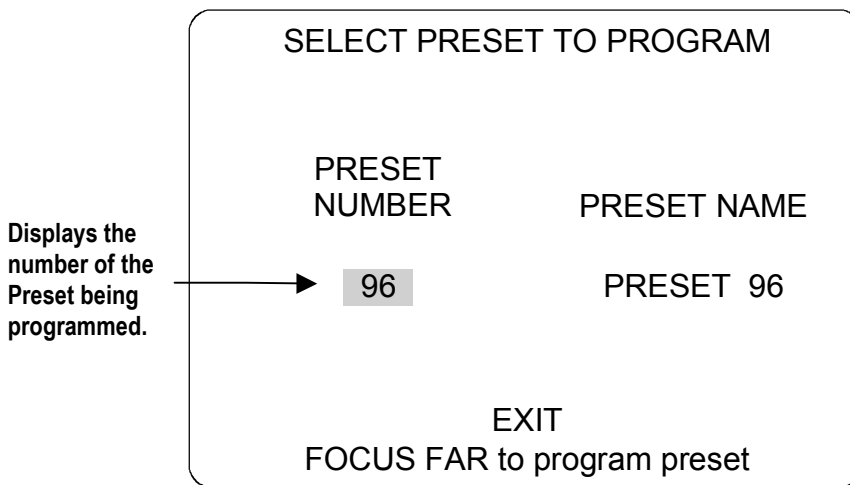
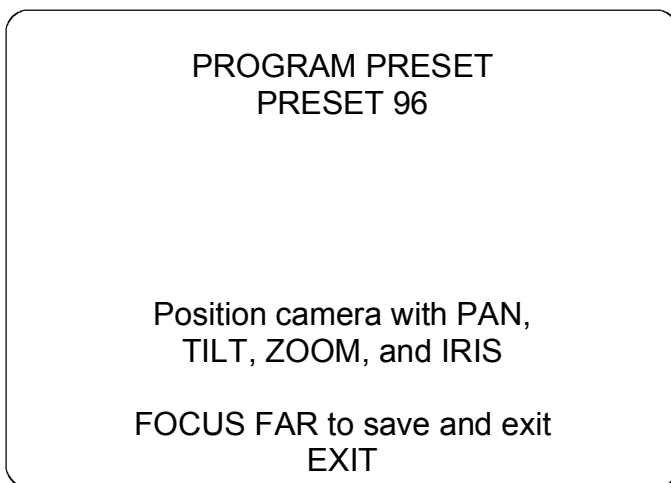


Figure Chapter 4 -7: Select Preset to Program screen

3. Press **Zoom In** or **Zoom Out** to change the number until the preset that you want to program appears, then press **Focus Far**. The Program Preset screen appears.



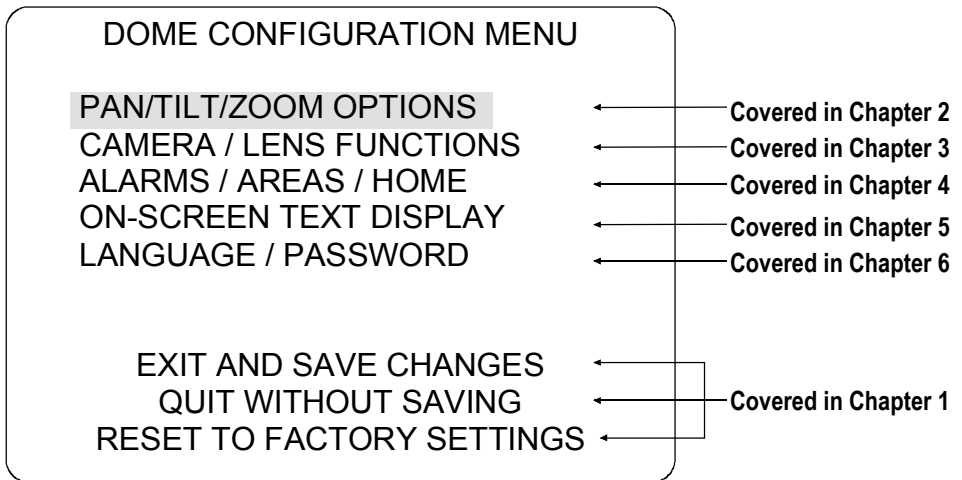
**Figure Chapter 4 -8: Program Preset screen**

4. Use the **Pan** and **Tilt** controls to move the camera until you see the scene you want to use as the preset. Adjust the **zoom** and **iris** settings as necessary. Press **Focus Far** to save the preset.
5. Repeat steps 3 and 4 for each preset you want to program. When finished, use the **Tilt** control to move the highlight bar to **Exit**, then press **Focus Far**.
6. When the **Alarms/Areas/Home** screen appears, do one of the following:
  - If you want to configure the alarm actions, continue with *Configuring Alarm Actions* on page 4-3.
  - If you want to configure the input states, continue with *Configuring Normal Input States* on page 4-6.
  - If you want to set the “home” position, continue with *Assigning the Dome’s Home Position* on page 4-9.
  - If you want to set areas, continue with *Programming Area Boundaries* on page 4-11.

- If you are finished making changes, press and hold **Iris Close**, then press **Focus Near** or **Focus Far** to save your changes and exit the utility.
- If you want to make changes to other settings, use the **Tilt** control to move the highlight bar to **Exit**, then press **Focus Far**. The Dome Configuration Menu appears. Continue with *What To Do Next* found on page 4-18.

## What To Do Next

When you select **Exit** from the **Alarms/Areas/Home** screen, the Dome Configuration Menu appears.



**Figure Chapter 4 -9: Dome Configuration Menu**

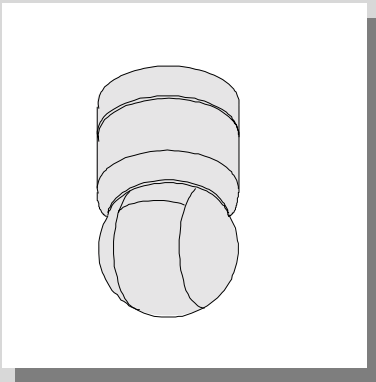
From this screen you can:

- Select an option to make additional changes. These topics are covered in chapters 2 through 6.
- Save the changes you made and exit the utility. This topic is covered in Chapter 1.

- Exit the utility without saving changes. This topic is covered in Chapter 1.
- Restore all settings to the factory defaults. This topic is covered in Chapter 1.

Use the **Tilt** control to move the highlight bar to the selection you want to use, then press **Focus Far**. Refer to the related chapter for additional information.

## CHAPTER 5



# On-Screen Text Display Settings

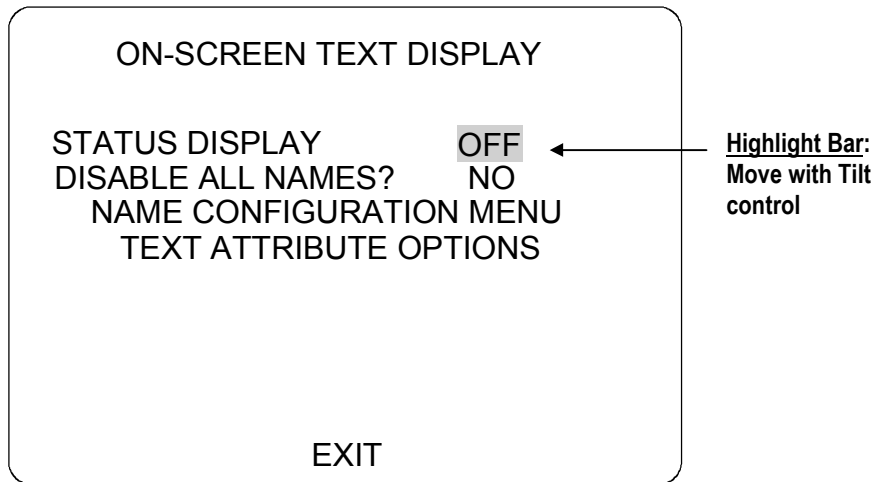
### In This Chapter

---

- Overview of On-Screen Text Display Settings
- Displaying or Hiding Status Information
- Displaying or Hiding Name Information
- Assigning or Changing Name Information
- Displaying Diagnostic Information During Reset
- Changing Text Display Attributes
- What To Do Next

## Overview of On-Screen Text Display Settings

When On-Screen Text Display is selected from the Dome Configuration Menu, the following screen is displayed:



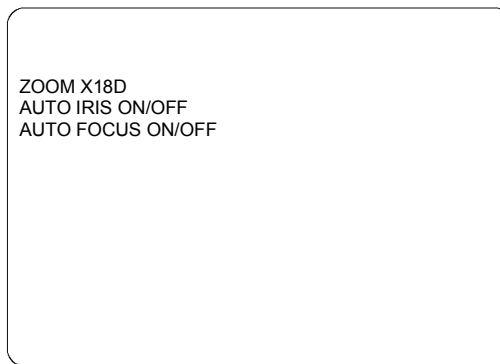
**Figure Chapter 5 -1: On-Screen Text Display**

From this screen you can choose to display status information about the dome, choose to enable or disable the display of all name information, and choose to display diagnostic information after a dome reset. You can start the Name Configuration Menu and the Text Attribute Options screens.

- To move the highlight bar, use the **Tilt** control.
- Pressing **Zoom Out** or **Zoom In** changes value of the selected setting.
- When you finish making changes, move the highlight bar to **Exit**, then press **Focus Far** to return to the Dome Configuration Menu.

## Displaying or Hiding Status Information

You can choose to display the status of the zoom setting, auto focus, and auto iris. This information will appear in the upper left corner of the monitor. The information only appears when there is a change in the status of any item and remains on the screen for 5 seconds. If “D” appears next to the zoom factor, the digital zoom is active (zooms greater than 12X).



**Figure Chapter 5 -2: Example of Zoom, Auto Focus and Auto Iris Status Information**

---

**Note**      Displaying *status* information is separate from displaying *name* information. If `Disable All Names?` is set to *Yes*, the status information will still appear if `Status Display` is set to *On*.

---

To change the setting:

1. Select `On-Screen Text Display` from the `Dome Configuration Menu`.

The highlight bar appears on `Status Display`.

2. Press **Zoom Out** or **Zoom In** to change the setting.

- If you want the dome status information to appear on the monitor, choose *On*.
- If you do not want dome status information to appear on the monitor, select *Off*.

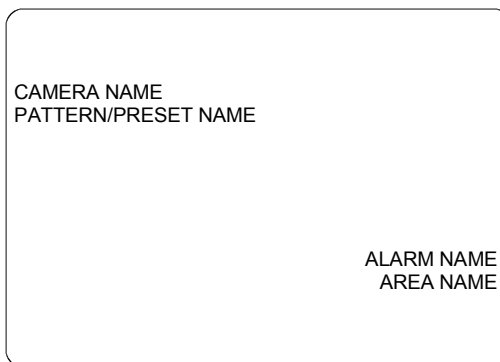
**The default setting is Off.**

3. Do one of the following:

- If you want to change the types of name information displayed, refer to *Displaying or Hiding Name Information* on page 5-4.
- If you want diagnostic information to appear when the dome is reset, refer to *Displaying Diagnostic Information* on page 5-9.
- If you want to assign names to the dome, areas, presets, patterns, or alarms, refer to *Assigning or Changing Name Information* on page 5-10.
- If you want to change the text information appearance, refer to *Changing Text Display Attributes* on page 5-14.
- If you are finished making changes, press and hold **Iris Close**, then press **Focus Near** or **Focus Far** to save your changes and exit the utility.
- If you want to make changes to other settings, use the **Tilt** control to move the highlight bar to **Exit**, then press **Focus Far**. The Dome Configuration Menu appears. Continue with *What To Do Next* on page 5-17.

## Displaying or Hiding Name Information

The SpeedDome Ultra III provides the ability to display the dome name, the area where the dome is pointing, the name of the preset or pattern that is running, and alarm names. When the display of camera or area names is enabled, the information appears on the screen continuously. Preset, pattern, and alarm names appear only while they are active.



**Figure Chapter 5 -3: Display Locations for Name Information**

You may choose to disable displaying all name information, or you may choose to display selected or all name information.

### **Changing the Display of All Name Information**

1. Select **On-Screen Text Display** from the **Dome Configuration Menu**.
2. Use the **Tilt** control to move the highlight bar to **Disable All Names?**
3. Press **Zoom Out** or **Zoom In** to change the setting.
  - If you want to disable the appearance of all name information, select **Yes**.
  - If you want all or some name information to appear on the monitor, select **No**. Then continue with *Changing the Display of Selected Name Information* on page 5-6.  
**The default setting is No.**
4. Do one of the following:
  - If you want to change the status information display, refer to *Displaying or Hiding Status Information* on page 5-3.
  - If you want diagnostic information to appear when the dome is reset, refer to *Displaying Diagnostic Information* on page 5-9.

- If you want to assign names to the dome, areas, presets, patterns, or alarms, refer to *Assigning or Changing Name Information* on page 5-10.
- If you want to change the text information appearance, refer to *Changing Text Display Attributes* on page 5-14.
- If you are finished making changes, press and hold **Iris Close**, then press **Focus Near** or **Focus Far** to save your changes and exit the utility.
- If you want to make changes to other settings, use the **Tilt** control to move the highlight bar to **Exit**, then press **Focus Far**. The Dome Configuration Menu appears. Continue with *What To Do Next* on page 5-17.

## Changing the Display of Selected Name Information

When Name Configuration Menu is selected from the On-Screen Text Display screen, the following appears:

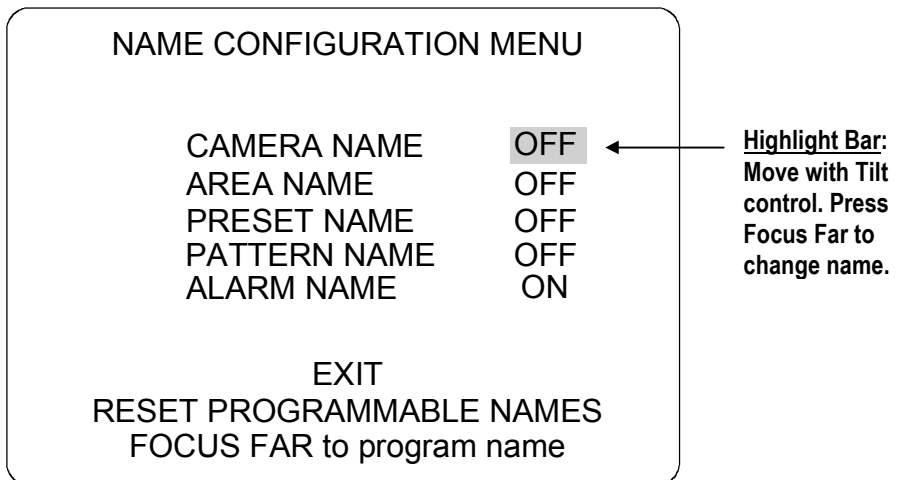


Figure Chapter 5 -4: Name Configuration Screen

You can choose to enable or disable the display of camera, area, preset, pattern, and alarm names from this screen. You can reset all programmable names to their default settings. You can also initiate name programming from this screen (see *Assigning or Changing Name Information* on page 5-10).

To change the display of a name:

1. Select **On-Screen Text Display** from the **Dome Configuration Menu**.
2. Use the **Tilt** control to move the highlight bar to **Name Configuration Menu**. Then press **Focus Far**.

The **Name Configuration Menu** appears.

3. Use the **Tilt** control to move the highlight bar to the item whose display setting you want to change.
4. Press **Zoom In** or **Zoom Out** to change the setting.
  - If you want the name to appear on the monitor, choose **On**.
  - If you do not want the name to appear on the monitor, choose **Off**.

**The default settings are Off for Camera, Areas, Presets, and Patterns, and On for Alarms.**

5. Repeat steps 3 and 4 for each item you want to change.
6. Do one of the following:
  - If you want to reset all programmable names to their default values, use the **Tilt** control to move the highlight bar to **Reset Programmable Names**, then press **Focus Far**. Continue with step 7.
  - If you do not want to reset the programmable names, continue with step 8.

7. The following prompt appears on the screen:

RESET PROGRAMMABLE NAMES NO 

Press **Zoom In** or **Zoom Out** to toggle the setting.

- To reset all names to the default value, select **Yes**, then press **Focus Far**. The Name Configuration Menu displays. “Programmable Names Have Been Reset” appears at the bottom of the screen.
- To cancel resetting of names, select **No**, then press **Focus Far**. The Name Configuration Menu displays.

**The default selection is No.**

8. Do one of the following:

- If you want to change programmable name information, continue with *Assigning or Changing Name Information* on page 5-10.
- When you finish making changes, use the **Tilt** control to move the highlight bar to **Exit**. Then press **Focus Far** to return to the On-Screen Text Display form. Continue with step 9.

9. Do one of the following:

- If you want to change the display of status information, refer to *Displaying or Hiding Status Information* on page 5-3.
- If you want diagnostic information to appear when the dome resets, refer to *Displaying Diagnostic Information* on page 5-9.
- If you want to change the appearance of the text information, refer to *Changing Text Display Attributes* on page 5-14.
- If you are finished making changes, press and hold **Iris Close**, then press **Focus Near** or **Focus Far** to save your changes and exit the utility.
- If you want to make changes to other settings, use the **Tilt** control to move the highlight bar to **Exit**, then press **Focus Far**. The Dome Configuration Menu appears. Continue with *What To Do Next* on page 5-17.

## Displaying Diagnostic Information During Reset

You can choose to have some diagnostic information displayed whenever the dome resets. The diagnostic information displayed includes:

- Communications Loopback Test
- Camera Loopback Test
- Motor Circuit Test.

If you do not want diagnostic information to appear when the dome resets, a screen displaying “SpeedDome Ultra III” appears.



### IMPORTANT

Disabling the display of diagnostic information during a dome reset does not prevent the diagnostic tests from running. If any test fails, the information about the failed test displays on the screen after the reset completes.

---

To enable or disable the display of diagnostic information, do the following:

1. Select **On-Screen Text Display** from the **Dome Configuration Menu**.
2. Use the **Tilt** control to move the highlight bar to **Diagnostic Display**.
3. Press **Zoom Out** or **Zoom In** to change the setting.
  - If you want diagnostic information to appear when the dome resets, select **On**.
  - If you do not want diagnostic information to appear when the dome resets, select **Off**. This choice displays the **SpeedDome Ultra III** splash screen whenever the dome is reset.  
**The default setting is OFF.**
4. Do one of the following:

- If you want to change the status information display, refer to *Displaying or Hiding Status Information* on page 5-3.
- If you want to assign names to the dome, areas, presets, patterns, or alarms, refer to *Assigning or Changing Name Information* on page 5-10.
- If you want to change the text information appearance, refer to *Changing Text Display Attributes* on page 5-14.
- If you are finished making changes, press and hold **Iris Close**, then press **Focus Near** or **Focus Far** to save your changes and exit the utility.
- If you want to make changes to other settings, use the **Tilt** control to move the highlight bar to **Exit**, then press **Focus Far**. The Dome Configuration Menu appears. Continue with *What To Do Next* on page 5-17.

## Assigning or Changing Name Information

With the Name Configuration Menu displayed, you can highlight a menu item and select **Focus Far** to begin name programming.

Names for each selection can be up to 19 characters long. The following characters are available:

- A-Z (upper case )
- a-z (lower case)
- 0-9
- Blank Space
- Minus Sign (-)
- Forward Slash (/)

### Setting Names

1. Select **On-Screen Text Display** from the Dome Configuration Menu.
2. Use the **Tilt** control to move the highlight bar to **Name Configuration Menu**. Then press **Focus Far**.

The Name Configuration Menu appears.

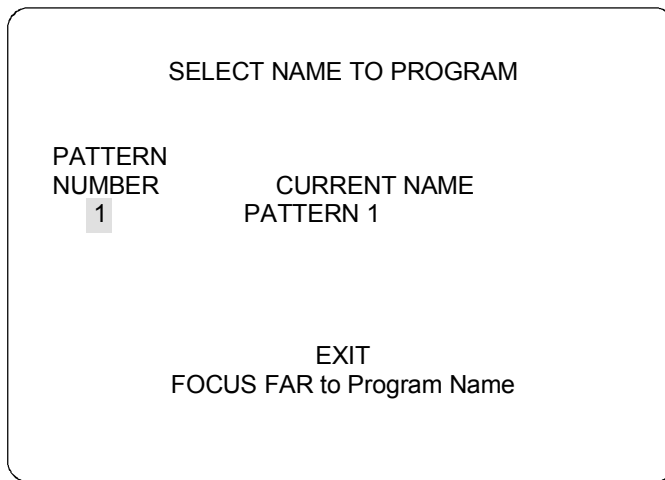
3. Use the **Tilt** control to move the highlight bar to the name setting you want to change, then press **Focus Far**. The choices are:

Camera Name  
Area Name  
Preset Name  
Pattern Name  
Alarm Name

If you choose Camera Name, continue with step 6.

If you choose Area Name, Preset Name, Pattern Name, or Alarm Name, continue with step 4.

4. The Select Name to Program screen appears.



**Figure Chapter 5 -5: Example Select Name to Program Screen (for Patterns)**

5. Press **Zoom In** or **Zoom Out** to change the number until the item whose name you want to change appears. Then press **Focus Far**.

---

**Note:** If Presets, Patterns, or Areas have been programmed, the dome automatically moves to the starting position of the associated selection each time the number is advanced.

---

6. The Name Programming screen appears.

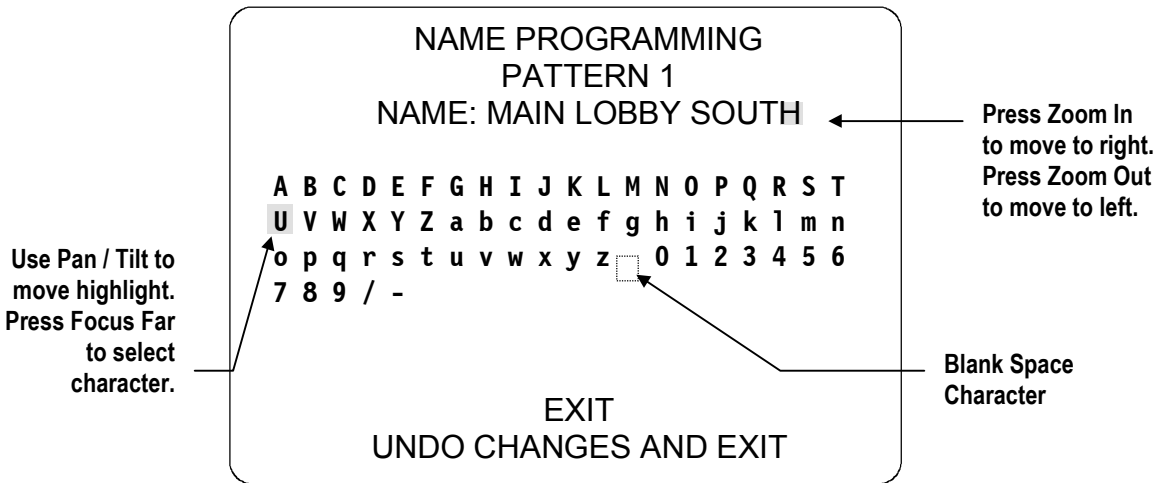


Figure Chapter 5 -6: Example Name Programming Screen (for Patterns)

7. Use the **Pan / Tilt** control to move the blinking highlight around the available characters. When the correct character is highlighted, press **Focus Far**.

If you make a mistake, press **Zoom In** to move the cursor one space right or **Zoom Out** to move the cursor one space left.

8. Repeat step 7 until the name is complete.
9. Do one of the following:
  - If you want to keep the name changes, move the highlight bar to **Exit**, then press **Focus Far**.
  - If you do not want to keep the changes, move the highlight bar to **Undo Changes and Quit**, then press **Focus Far**.
10. Do one of the following:
  - If you were changing the camera name, continue with step 12.

- If you were changing the name of an area, preset, pattern or alarm, the Select Name to Program screen appears. Continue with step 11.

11. Do one of the following:

- If you want to make additional changes to the same type selected in step 2, repeat steps 4 through 10.
- If you want to return to the Name Configuration Menu, use the **Tilt** control to move the highlight bar to **Exit**. Then press **Focus Far**, and continue with step 12.

12. Do one of the following:

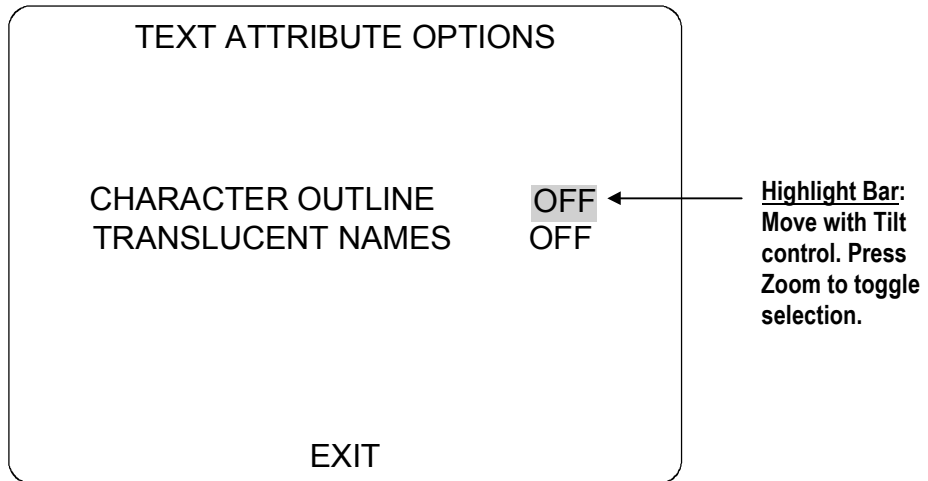
- If you want to make additional name changes, repeat steps 3 through 11.
- If you want to return to On-Screen Text Display, use the **Tilt** control to move the highlight bar to **Exit**, then press **Focus Far**. Continue with step 13.

13. Do one of the following:

- If you want to change the types of status information displayed, refer to *Displaying or Hiding Status Information* on page 5-3.
- If you want to change the name information displayed, refer to *Displaying or Hiding Name Information* on page 5-4.
- If you want diagnostic information to appear when the dome is reset, refer to *Displaying Diagnostic Information* on page 5-9.
- If you want to change the text information appearance, refer to *Changing Text Display Attributes* on page 5-14.
- If you are finished making changes, press and hold **Iris Close**, then press **Focus Near** or **Focus Far** to save your changes and exit the utility.
- If you want to make changes to other settings, use the **Tilt** control to move the highlight bar to **Exit**, then press **Focus Far**. The Dome Configuration Menu appears. Continue with *What To Do Next* on page 5-17.

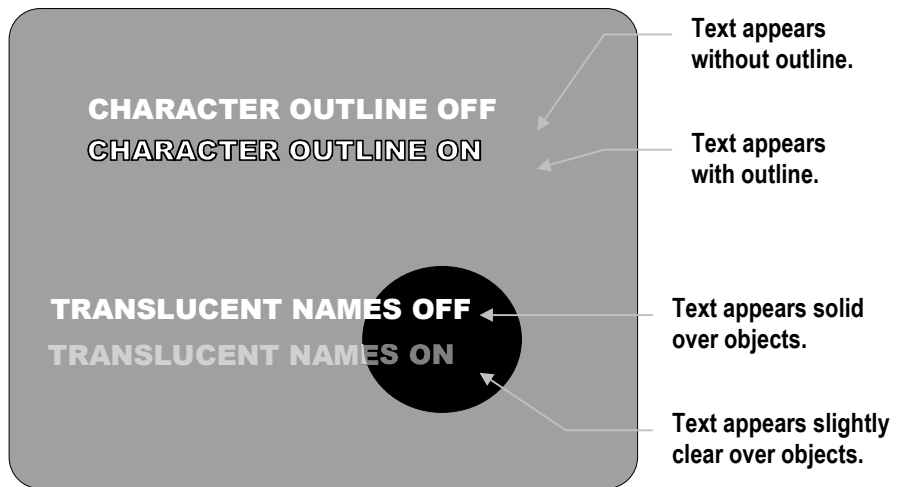
## Changing Text Display Attributes

When you select Text Attribute Options from the On-Screen Text Display screen, the following screen appears.



**Figure Chapter 5 -7: Text Attributes Options Screen**

From this screen, you can choose to display outlines around the utility screen text, name text, and status text. This ensures that text can be seen when the video background is light. You may also choose to have name and status information appear translucent on the monitor. This prevents objects on the screen from being obscured by the text. The following figure illustrates the types of text attributes available.



**Figure Chapter 5-8: Examples of text attributes.**

To change the text appearance do the following:

1. Select On-Screen Text Display from the Dome Configuration Menu.
2. Use the **Tilt** control to move the highlight bar to Text Attribute Options, then press **Focus Far**.

The Text Attribute Options screen appears.

3. Press **Zoom In** or **Zoom Out** to change the setting.
  - If you want the text to appear with an outline around each character, select On.
  - If you want the text to appear without an outline around each character, select Off.

**The default setting is On.**

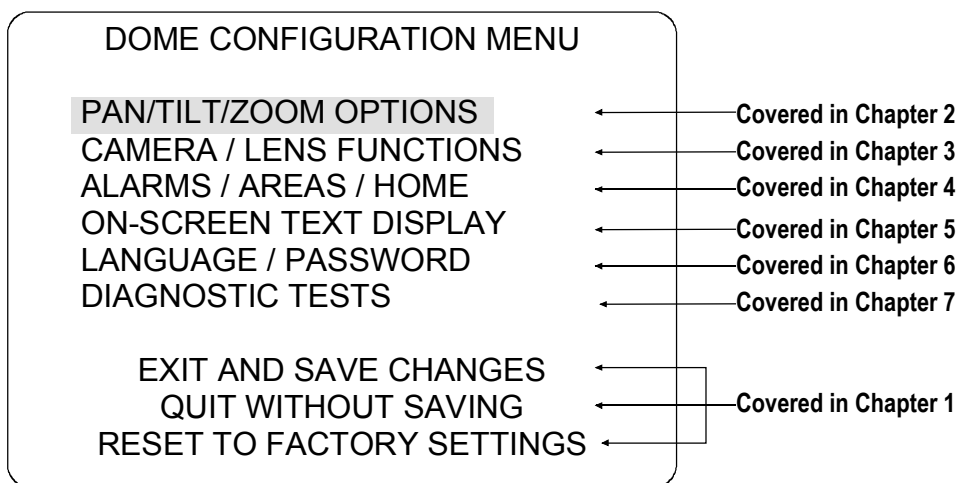
4. Do one of the following:
  - If you want to change the appearance of the text overlay characters for dome names and status information, use the **Tilt**

control to move the highlight bar to Translucent Names. Continue with step 5.

- If you are finished making changes, continue with step 6.
5. Press **Zoom In** or **Zoom Out** to change the setting.
    - If you want the text associated with dome names and status information to appear translucent (slightly clear), select On.
    - If you want the text associated with dome names and status information to appear opaque (solid) , select Off.
    - **The default setting is On.**
  6. Use the **Tilt** control to move the highlight bar to Exit, then press **Focus Far**. The On-Screen Text Display screen appears.
  7. Do one of the following:
    - If you want to change the status information displayed, refer to *Displaying or Hiding Status Information* on page 5-3.
    - If you want to change the name information displayed, refer to *Displaying or Hiding Name Information* on page 5-4.
    - If you want diagnostic information to appear when the dome is reset, refer to *Displaying Diagnostic Information* on page 5-9.
    - If you want to assign names to the dome, areas, presets, patterns, or alarms, refer to *Assigning or Changing Name Information* on page 5-10.
    - If you are finished making changes, press and hold **Iris Close**, then press **Focus Near** or **Focus Far** to save your changes and exit the utility.
    - If you want to make changes to other settings, use the **Tilt** control to move the highlight bar to Exit, then press **Focus Far**. The Dome Configuration Menu appears. Continue with *What To Do Next* on page 5-17.

## What To Do Next

When you select Exit from the On-Screen Text Display screen, the Dome Configuration Menu appears.



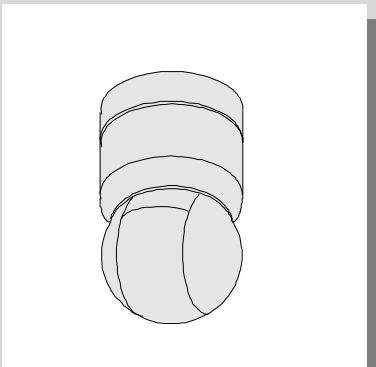
**Figure Chapter 5 -9: Dome Configuration Menu**

From this screen you can:

- Select an option to make additional changes. These topics are covered in chapters 2 through 7.
- Save the changes you made and exit the utility. This topic is covered in Chapter 1.
- Exit the utility without saving changes. This topic is covered in Chapter 1.
- Restore all settings to the factory defaults. This topic is covered in Chapter 1.

Use the **Tilt** control to move the highlight bar to selection you want to use, then press **Focus Far** to continue. Refer to the related chapter for additional information.

## CHAPTER 6



# Language and Password Settings

### In This Chapter

---

- Overview of Language and Password Settings
- Selecting a Language
- Working with Passwords
- What To Do Next

## Overview of Language and Password Settings

When Language / Password is selected from the Dome Configuration Menu, the following screen appears:

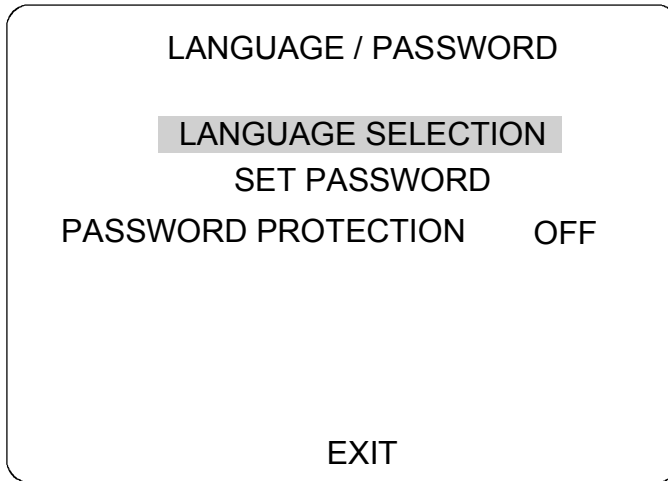


Figure Chapter 6 -1: Language / Password Screen

From this screen, you can choose the language for the menus, status information, and prompts of the SpeedDome Ultra III. You can also set and enable the use of the dome password.

- To move the highlight bar, use the **Tilt** control.
- Pressing **Zoom Out** or **Zoom In** changes value of the selected setting.
- When you finish making changes, move the highlight bar to **Exit**, then press **Focus Far** to return to the Dome Configuration Menu.



### IMPORTANT

If Portuguese is selected as the language, the characters ã and õ will not be displayed on the screen. This is due to a limitation of the SpeedDome Ultra III text overlay chip.

---

## Selecting a Language

The SpeedDome Ultra III provides support for menus, status information and prompts in English, Spanish, French, German, Italian, and Portuguese. When the dome is first installed, the language setting is English. To change the language setting for the menus, status information, and prompts, do the following:

1. Select Language/Password from the Dome Configuration Menu.
2. The highlight bar appears on Language Selection. Press **Focus Far**.

The Language Selection screen appears:

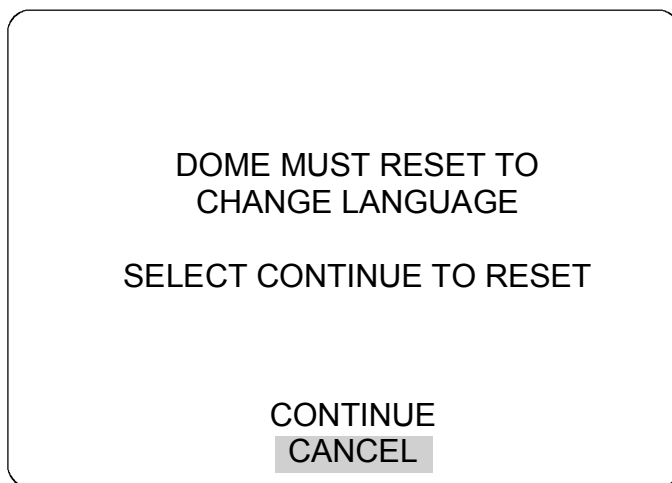


**Figure Chapter 6 -2: Language Selection screen.**

Use the **Tilt** control to move the highlight bar to the preferred language setting. The choices are: English, Spanish, French, German, Italian, and Portuguese.

**The default setting is English.**

3. Press **Focus Far** to select the highlighted language.
4. The following screen displays:



**Figure Chapter 6 -3: Prompt for Language Reset**

The highlight bar appears on Cancel.

---

**Note:** Changing the language does not alter any names that have been previously programmed. Only default names, such as **Preset 1**, change to the new language setting.

---

5. Do one of the following:
  - To continue with changing the language, use the **Tilt** control to move the highlight bar to **Continue**, then press **Focus Far**. The dome automatically resets. Continue with step 6.
  - To cancel the language change, press **Focus Far**. The Language Selection screen displays. You may choose a different language, or use the **Tilt** control to move the highlight bar to **Exit** to return to the Language / Password screen. Continue with step 7.
6. To display the Dome Configuration Menu in the selected language, press and hold **Iris Open**, press and hold **Focus Near** or **Focus Far**, then press **Zoom Out**. Continue with step 7.

7. Do one of the following:

- If you want set the dome password, refer *Working with Passwords* on page 6-5.
- If you are finished making changes, press and hold **Iris Close**, then press **Focus Near** or **Focus Far** to save your changes and exit the utility.
- If you want to make changes to other settings, continue with *What To Do Next* on page 6-8.

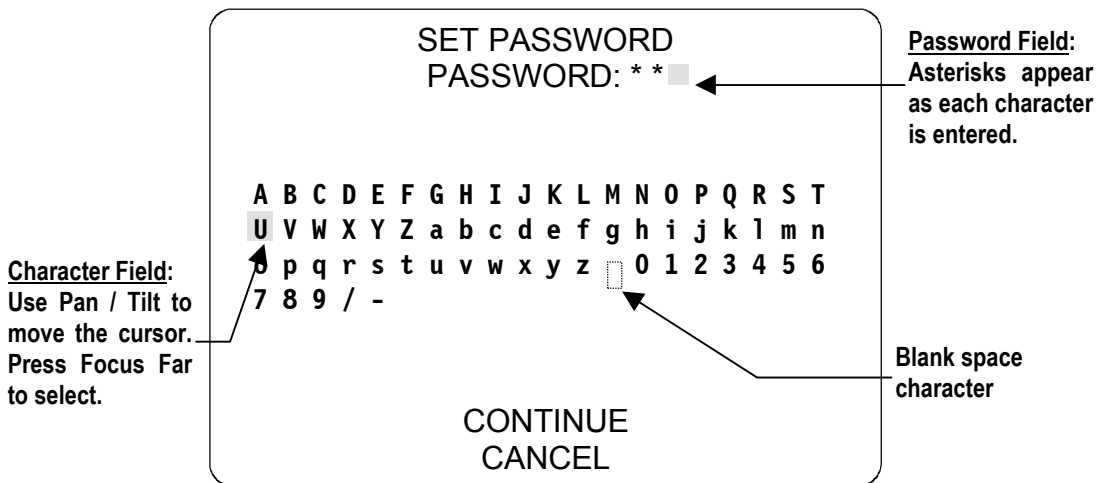
## Working with Passwords

To prevent unauthorized use of the configuration utility, you may choose to enable password protection. There are two parts to using passwords with your SpeedDome Ultra III: setting a password and enabling password use. The dome password can be from 1 to 8 characters long. The characters available depend on the current language setting.

### Setting or Changing the Dome Password

1. Select Language/Password from the Dome Configuration Menu.
2. Use the **Tilt** control to move the highlight bar to Set Password. Then press **Focus Far**.

The Set Password screen appears.



**Figure Chapter 6 -4: Set Password Screen**

- Use the **Pan / Tilt** control to move the blinking highlight around the available characters. When the correct character is highlighted, press **Focus Far**.

If you make a mistake, press **Zoom In** to move the cursor one space right or **Zoom Out** to move the cursor one space left.

- Repeat step 3 until the password is complete. When finished, move the highlight to **Continue**, then press **Focus Far**.
- You must successfully enter the password twice. Use the procedure in step 3 to enter the password again. When finished, move the highlight to **Continue**, then press **Focus Far**.

---

**Note:** If the passwords do not match, you must start over. Return to step 3 and repeat the procedure.

---

- The Language/Password screen appears. Do one of the following:
  - To enable the password, continue with *Enabling or Disabling Password Protection* on page 6-7.

- If you want to change the language setting, refer to *Selecting a Language* on page 6-3.
- If you are finished making changes, press and hold **Iris Close**, then press **Focus Near** or **Focus Far** to save your changes and exit the utility.
- If you want to make changes to other settings, use the **Tilt** control to move the highlight bar to **Exit**, then press **Focus Far**. The Dome Configuration Menu appears. Continue with *What To Do Next* on page 6-8.

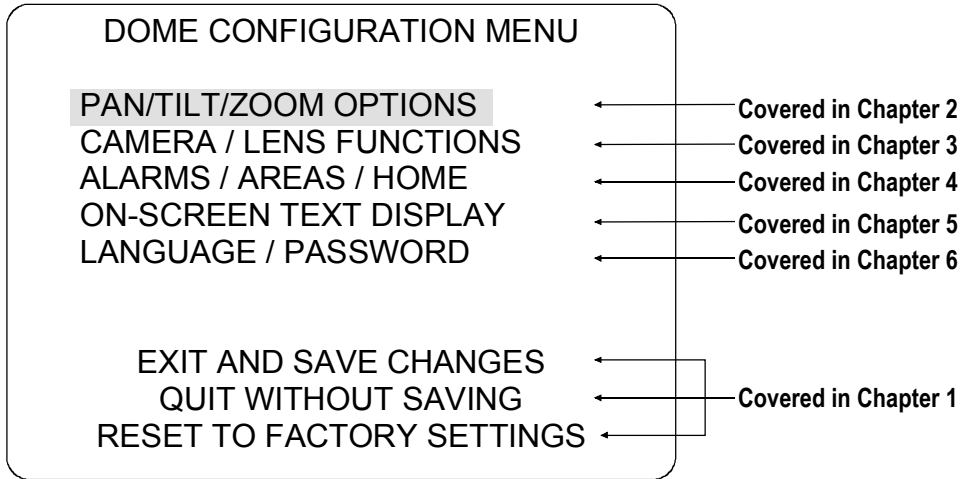
## Enabling or Disabling Password Protection

Password protection must be enabled before passwords can be used.

1. Select Language/Password from the Dome Configuration Menu.
2. Use the **Tilt** control to move the highlight bar to Password Protection.
3. Press **Zoom In** or **Zoom Out** to change the setting.
  - If you want to use a password to prevent unauthorized use of the dome configuration utility, select **On**.
  - If you do not want to use a password, select **Off**. The default setting is **Off**.
4. Do one of the following:
  - If you want to change the language setting, refer to *Selecting a Language* on page 6-3.
  - If you want to set or change the password, refer to *Setting or Changing the Dome Password* on page 6-5.
  - If you are finished making changes, press and hold **Iris Close**, then press **Focus Near** or **Focus Far** to save your changes and exit the utility.
  - If you want to make changes to other settings, use the **Tilt** control to move the highlight bar to **Exit**, then press **Focus Far**. The Dome Configuration Menu appears. Continue with *What To Do Next* on page 6-8.

## What To Do Next

When you select **Exit** from the Language / Password screen, the Dome Configuration Menu appears.



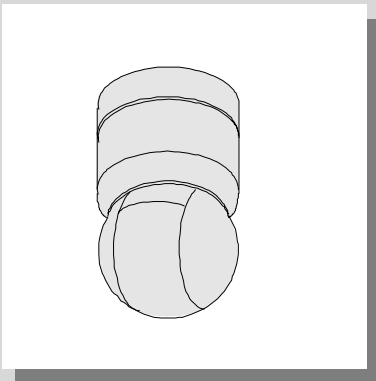
**Figure Chapter 6 -5: Dome Configuration Menu**

From this screen you can:

- Select an option to make additional changes. These topics are covered in chapters 2 through 6.
- Save the changes you made and exit the utility. This topic is covered in Chapter 1.
- Exit the utility without saving changes. This topic is covered in Chapter 1.
- Restore all settings to the factory defaults. This topic is covered in Chapter 1.

Use the **Tilt** control to move the highlight bar to selection you want to use, then press **Focus Far** to continue. Refer to the related chapter for additional information.

## A P P E N D I X A



## Records

Use the sheets in this appendix to record the configuration settings for your SpeedDome Ultra III Camera Dome. Make copies of these sheets for each dome. Whenever you change settings for a dome, be sure to update the information for the dome.

**DOME NUMBER:** \_\_\_\_\_ **LOCATION:** \_\_\_\_\_

### Pan / Tilt / Zoom Settings

Menu Item	Default Setting (Choices)	Current Setting
Proportional Flip	Off (On / Off)	
1st Zoom Stop X	18 (12 / 18)	
Max Total Zoom X	48 (24/36/48/60/72/84/96)	

### Camera and Lens Functions

Menu Item	Default Setting (Choices)	Current Setting
Line Lock	On (On / Off)	
AGC Mode	On (On / Off)	
AGC Gain*	(0-448)	
Auto White Bal	On (On / Off)	
Red White Bal**	(128-1023)	
Blue White Bal**	(128-1023)	

\* AGC Mode must be set to Off to use this setting

\*\* Auto White Bal must be set to Off to use these settings

### Alarm Actions

Menu Item	Default Setting (Choices)	Current Setting
Alarm No. 1	No Action (Preset 1-96 / Pattern 1-3 / No Action)	
Alarm No. 2	No Action (Preset 1-96 / Pattern 1-3 / No Action)	
Alarm No. 3	No Action (Preset 1-96 / Pattern 1-3 / No Action)	
Alarm No. 4	No Action (Preset 1-96 / Pattern 1-3 / No Action)	
Send Inputs to Host	Yes (Yes / No)	

### Alarm Input Normal States

Menu Item	Default Setting (Choices)	Current Setting
Input No. 1	Open (Open / Closed)	
Input No. 2	Open (Open / Closed)	
Input No. 3	Open (Open / Closed)	
Input No. 4	Open (Open / Closed)	

### Home Position

Menu Item	Default Setting (Choices)	Current Setting
Home Position	No Action (Preset 1-4 / Pattern 1-3 / No Action)	
Return Time (Mins)*	10 (1 - 60 Minutes)	

\* Home Position must be set to Preset or Pattern for this setting to apply.

**DOME NUMBER:** \_\_\_\_\_ **LOCATION:** \_\_\_\_\_

### Area Boundaries

Up to 16 areas can be programmed. Use this form to identify the start and end points of each area. This will assist you in restoring the boundaries if the areas should be erased.

Area Number	Start Point	End Point
Area 1		
Area 2		
Area 3		
Area 4		
Area 5		
Area 6		
Area 7		
Area 8		
Area 9		
Area 10		
Area 11		
Area 12		
Area 13		
Area 14		
Area 15		
Area 16		

### On-Screen Text Display

Menu Item	Default Setting (Choices)	Current Setting
Status Display	Off (On / Off)	
Disable All Names	No (Yes / No)	
Diagnostic Display	Off (On / Off)	
Password Protection	Off (On / Off)	

**Note:** The SpeedDome Ultra II password should be provided to authorized operators only.

### Text Attribute Options

Menu Item	Default Setting (Choices)	Current Setting
Character Outline	On (On / Off)	
Translucent Names	On (On / Off)	

### Language / Password

Menu Item	Default Setting (Choices)	Current Setting
Language Selection	English (English / Spanish / French / German / Italian / Portuguese)	
Password Protection	Off (On / Off)	

**DOME NUMBER:** \_\_\_\_\_ **LOCATION:** \_\_\_\_\_

## Name Configuration

Menu Item	Default Setting (Choices)	Current Setting
Camera Name	<b>Off</b> (On / Off)	
Area Name	<b>Off</b> (On / Off)	
Area No. 1	Area 1	
Area No. 2	Area 2	
Area No. 3	Area 3	
Area No. 4	Area 4	
Area No. 5	Area 5	
Area No. 6	Area 6	
Area No. 7	Area 7	
Area No. 8	Area 8	
Area No. 9	Area 9	
Area No. 10	Area 10	
Area No. 11	Area 11	
Area No. 12	Area 12	
Area No. 13	Area 13	
Area No. 14	Area 14	
Area No. 15	Area 15	
Area No. 16	Area 16	
Preset Name	<b>Off</b> (On / Off)	
<b>REFER TO PRESET WORKSHEET FOR NAME SETTINGS</b>		
Pattern Name	<b>Off</b> (On / Off)	
Pattern No. 1	Pattern 1	
Pattern No. 2	Pattern 2	
Pattern No. 3	Pattern 3	
Alarm Name	<b>On</b> (On / Off)	
Alarm No. 1	Alarm 1	
Alarm No. 2	Alarm 2	
Alarm No. 3	Alarm 3	
Alarm No. 4	Alarm 4	

**DOMe NUMBER:** \_\_\_\_\_ **LOCATION:** \_\_\_\_\_

### Presets

96 presets can be programmed for each dome. Use this form to describe the locating being viewed for each preset. This will assist you in restoring the presets if they should be erased.

Preset Number	Description	Assigned Name
Preset 1		
Preset 2		
Preset 3		
Preset 4		
Preset 5		
Preset 6		
Preset 7		
Preset 8		
Preset 9		
Preset 10		
Preset 11		
Preset 12		
Preset 13		
Preset 14		
Preset 15		
Preset 16		
Preset 17		
Preset 18		
Preset 19		
Preset 20		
Preset 21		
Preset 22		
Preset 23		
Preset 24		
Preset 25		
Preset 26		
Preset 27		
Preset 28		
Preset 29		
Preset 30		
Preset 31		
Preset 32		
Preset 33		
Preset 34		

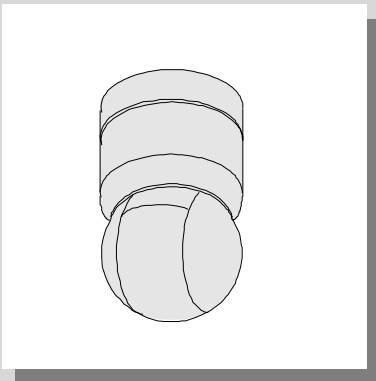
**DOME NUMBER:** \_\_\_\_\_ **LOCATION:** \_\_\_\_\_

Preset Number	Description	Assigned Name
Preset 35		
Preset 36		
Preset 37		
Preset 38		
Preset 39		
Preset 40		
Preset 41		
Preset 42		
Preset 43		
Preset 44		
Preset 45		
Preset 46		
Preset 47		
Preset 48		
Preset 49		
Preset 50		
Preset 51		
Preset 52		
Preset 53		
Preset 54		
Preset 55		
Preset 56		
Preset 57		
Preset 58		
Preset 59		
Preset 60		
Preset 61		
Preset 62		
Preset 63		
Preset 64		
Preset 65		
Preset 66		
Preset 67		
Preset 68		
Preset 69		
Preset 70		
Preset 71		

**DOMe NUMBER:** \_\_\_\_\_ **LOCATION:** \_\_\_\_\_

<b>Preset Number</b>	<b>Description</b>	<b>Assigned Name</b>
Preset 72		
Preset 73		
Preset 74		
Preset 75		
Preset 76		
Preset 77		
Preset 78		
Preset 79		
Preset 80		
Preset 81		
Preset 82		
Preset 83		
Preset 84		
Preset 85		
Preset 86		
Preset 87		
Preset 88		
Preset 89		
Preset 90		
Preset 91		
Preset 92		
Preset 93		
Preset 94		
Preset 95		
Preset 96		

## **A P P E N D I X B**



# **Software License Agreement**

By using this software, you accept the terms and conditions of this license agreement. Read this license agreement carefully.

## SOFTWARE LICENSE AGREEMENT

1. General. Software is being licensed to the Customer pursuant to the following terms and conditions, which supplement any purchase or lease agreement (the "Equipment Agreement") between Customer and Sensormatic Electronics Corporation ("SEC"). By accepting receipt of, or by using, such Software, the Customer agrees to be bound by the terms of this Software License Agreement (the "License Agreement"). The term "Software" means all computer programs, instructions, data and databases, in any form or on any media, supplied by SEC (or its suppliers) to Customer and all current and future versions, revisions, updates, upgrades and new releases thereof. Except as otherwise provided in this License Agreement, the terms and conditions of the Equipment Agreement apply to the Software, the related technical and user manuals ("Documentation") and the license provided herein.
2. License. SEC licenses the Software and the Documentation to Customer, for the license fee(s) set forth (or included in the product prices set forth) in the Equipment Agreement and subject to the terms and conditions of this License Agreement. The license is non-exclusive and is limited by the terms of this License Agreement. Customer may not transfer the license except to a party to whom the equipment is transferred and then only with the written consent of SEC. The Software and Documentation are being licensed and not sold or leased to Customer. SEC or its suppliers who have authorized SEC to sublicense certain of the Software and Documentation retain ownership of the Software and Documentation. The Software is being licensed for use only on (i) a single computer (A) owned or leased by Customer and identified in the Equipment Agreement or (B) otherwise identified in the Documentation as compatible with the Software, or (ii) a back-up machine if and so long as such computer becomes temporarily inoperable.
3. Term. The term of the license is perpetual, except that it will terminate automatically if Customer sells or otherwise disposes of the Software or its related equipment or Customer breaches any provision of this License Agreement or the Equipment Agreement. If the license terminates, SEC

will have the right to take possession of all copies of the Software and Documentation in the possession of Customer or to require Customer to destroy all such copies and certify such destruction in writing to SEC.

4. **Ownership.** Customer agrees and acknowledges that (i) SEC (or its suppliers) is the sole owner of the Software and Documentation (including all copies thereof, in whatever form or media, delivered to or made by Customer) and all patent, copyright and other intellectual property rights with respect thereto and (ii) the Software and Documentation constitute valuable trade secrets, confidential information and proprietary properties of SEC and its suppliers. Accordingly, Customer agrees that it will have no rights in the Software or Documentation other than those granted under this License Agreement and agrees to abide by the restrictions on its use of the Software and Documentation set forth in Section 5 of this License Agreement.
5. **Use and Copies.** Customer may use the Software and Documentation only in conjunction with the other equipment identified in the Equipment Agreement, as part of the access control, closed circuit television or other security system being acquired from SEC and for Customer's internal business purposes. SEC will furnish the Software to Customer solely in object code form.

Customer may make up to 2 copies of the Software solely for back-up and archival purposes. Customer will not remove or modify the copyright and other proprietary notices and legends of SEC and its suppliers contained in the Software and Documentation and will reproduce all such notices and legends on all copies of the Software made by Customer. Customer may not make copies of the Documentation, but may obtain additional copies of the Documentation from SEC at its established rates. Except as permitted above, copying of the Software and Documentation is forbidden.

Customer will not sell, assign, sublicense or transfer this license or sell or otherwise transfer the Software or Documentation (or any portion thereof) to others. Customer will maintain the Software and Documentation in confidence and not disclose any data or other

information contained in the Software or Documentation to any party, except for Customer's employees and agents who require access to the Software for the purposes of Customer's internal business and who use it in accordance with the terms of this License Agreement. Customer will not use the Software for the provision of time-sharing services to others. Customer will not modify the Software or decompile, disassemble or otherwise reverse engineer the Software and will not have the right to create derivative works of the Software, including, without limitation, translated or localized versions of the Software. Customer will not export or re-export the Software or the Documentation or any portion thereof without appropriate United States or foreign governmental licenses.

Customer will implement appropriate measures, such as the requirement that employees and others permitted access to the Software enter into appropriate non-disclosure agreements, to satisfy its obligations hereunder and, generally, will treat the Software and Documentation with the same degree of care and confidentiality which Customer provides for its own confidential information. Customer acknowledges that it may be held legally responsible for any copyright infringement or trade secret violation that is caused, in whole or in part, by its failure to abide by the terms of this License Agreement. Since unauthorized transfer, use or disclosure of the Software and Documentation would diminish their value to SEC and its suppliers, who would have no adequate remedy at law if Customer breaches its obligations under this License Agreement, SEC and its suppliers (who are direct and intended beneficiaries of this License Agreement) will be entitled to injunctive relief, in addition to such other remedies and relief that would be available to them in the event of such a breach.

6. Limited Warranty; Limitation of Liability. The provisions of the Equipment Agreement respecting maintenance and warranty will not apply to the Software or the Documentation, unless specifically stated otherwise and agreed to in writing by both parties. SEC's sole warranties with respect to the Software and Documentation are that (i) SEC has title to the Software and Documentation and/or the right to grant Customer the license set forth in this License Agreement and (ii) the magnetic media on which the Software is recorded is free from defects in materials

and workmanship under normal use. SEC's sole obligation under this warranty will be to replace any defective media returned to it free of charge. The period of this warranty will be 12 months from the date of the Equipment Agreement (the "Warranty Period").

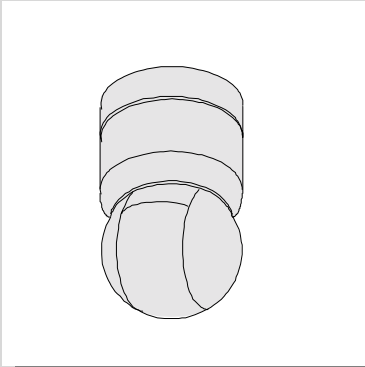
EXCEPT AS SET FORTH IN THIS SECTION 6, SEC DISCLAIMS ANY WARRANTY, EXPRESS OR IMPLIED, WITH RESPECT TO THE SOFTWARE OR THE DOCUMENTATION OR THEIR OPERATION OR USE, INCLUDING, WITHOUT LIMITATION, ANY IMPLIED WARRANTY OF MERCHANTABILITY OR OF FITNESS FOR A PARTICULAR PURPOSE OR USE. SOME STATES DO NOT ALLOW THE EXCLUSION OF IMPLIED WARRANTIES, SO THE ABOVE EXCLUSION DOES NOT APPLY IN SUCH STATES. THIS WARRANTY GIVES YOU SPECIFIC LEGAL RIGHTS, AND YOU MAY ALSO HAVE OTHER RIGHTS THAT VARY FROM STATE TO STATE.

SEC AND ITS SUPPLIERS, EMPLOYEES, AGENTS AND FRANCHISEES WILL IN NO EVENT BE LIABLE FOR ANY INCIDENTAL, CONSEQUENTIAL OR OTHER DIRECT OR INDIRECT DAMAGES (FOR LOSS OF BUSINESS INFORMATION OR PROFITS OR OTHERWISE) SUFFERED BY CUSTOMER, ANY OF ITS EMPLOYEES OR AGENTS OR ANY OTHER PERSON ARISING OUT OF OR IN CONNECTION WITH THE USE OR INABILITY TO USE THE SOFTWARE OR THE DOCUMENTATION, OR THE MAINTENANCE OR SUPPORT THEREOF, EVEN IF THEY HAVE BEEN ADVISED OF THE POSSIBILITY OF SUCH DAMAGES. SEC neither assumes nor authorizes any employee, agent or franchisee to assume for SEC any other liability in connection with the license, use or performance of the Software or Documentation.

Customer is solely responsible for the selection of the Software to achieve customer's intended results, for the conformity of the computer on which the Software is run to SEC's specifications or requirements and for the maintenance of such computer in good working order and repair. SEC's suppliers do not warrant the Software, assume any liability regarding the use of the Software or undertake to provide any maintenance, support or information regarding the Software.

7. U.S. Government Restricted Rights. The Software and Documentation are provided with restricted rights. Use, duplication or disclosure by the U.S. Government is subject to restrictions as set forth in subparagraphs (c)(1)(ii) of the Rights in Technical Data and Computer Software Clause of Department of Defense Federal Acquisition Supplement (DFARS) 252.227-7013 or in subparagraph (g)(3)(i) of Federal Acquisition Regulations (FAR) 52.227-14, Alternate III, as applicable.
8. Indemnity. SEC will defend and hold Customer harmless from any claim, action, suit or proceeding brought against Customer to the extent that it is based on a claim that the use of the Software, as such, in accordance with this License Agreement and not as a result of the combination thereof with any other article, computer software or process, constitutes an infringement of any United States patent or copyright or the violation of any trade secret, if SEC is notified thereof promptly after its commencement and is given control of the defense thereof and any negotiations for its settlement and full cooperation by Customer.

SEC will pay all damages and costs awarded against Customer in connection with any such claim, except that SEC will not be liable for any amounts paid under any compromise or settlement made without its consent. If the Software is either claimed or held to infringe or violate any patent or copyright, SEC may, at its sole option and expense, and Customer will permit SEC to, procure for Customer the right to continue using the Software or modify it so that it becomes non-infringing or replace it with a non-infringing counterpart. If neither of such alternatives is available on terms which are reasonable in SEC's judgment, Customer will return all copies of the Software and Documentation in the possession of Customer to SEC, at SEC's request, and SEC will refund a reasonable portion of the license fees paid by Customer to SEC. This Section 8 sets forth SEC's entire liability regarding infringement and the like.



# Glossary

## **Alarm Actions**

The assigned responses for the SpeedDome Ultra III camera dome when dome inputs change from normal to abnormal states. The dome may run a *preset*, *pattern*, or have no assigned action for each of the four dome inputs. The dome may also send alarm states to the host controller for processing.

## **Areas**

Programmed start and end points of the SpeedDome Ultra III camera dome's viewing area around its pan axis. Each area is a part of a circular viewing area that extends around the dome. The areas can be different sizes. Up to 16 areas can be programmed for the SpeedDome Ultra III.

### **Automatic “Flip” feature**

Allows the dome to automatically turn 180-degrees when the camera tilts to its lower limit and stays in that position for a brief delay. When the dome flips (rotates), the camera starts moving upward as long as the tilt control is kept in the down position. Once the control is released, the tilt control returns to its normal operational mode. The flip feature is useful when you need to track someone who walks directly beneath the dome and continues on the other side. This is also referred to as “proportional flip.”

### **Automatic Gain Control (AGC)**

Allows for the amplification of the video signal in scenes with minimal ambient light. Many low-light scenes result in picture noise. As gain is increased, the picture noise is also amplified. When AGC is enabled, the value of the gain setting is based on feedback from the camera. When AGC is disabled, the camera uses the value set for the manual gain setting. The trade-off between picture level and noise may be adjusted when AGC is disabled.

### **Configuration Utility**

The text overlay menu system that provides a means to setting features for the SpeedDome Ultra III Camera Dome. The utility is accessed using a keystroke combination. The utility provides settings for camera functions, pan, tilt, zoom, focus, alarms, text display, and password protection.

### **Dome Status Information**

Relates to zoom, focus, and iris settings. You may choose to have this information displayed on the monitor when any of these settings change. If display of status information is enabled, it appears in the upper left corner of the monitor.

### **Home Position**

The default position to which the SpeedDome Ultra III camera dome returns after an assigned period of inactivity passes. The default position may be a *preset*, *pattern*, or no action.

## **Input**

A connection point on the SpeedDome Ultra III camera dome that enables the system to monitor input devices. There are four inputs available for the SpeedDome Ultra III camera dome.

## **Input Devices**

External devices that provide information about the condition of system components that connect to the inputs on the SpeedDome Ultra III camera dome. Typical input devices include door contacts, motion detectors and smoke detectors.

## **Line Lock**

Allows you to phase lock the video with the AC power line. When line lock is enabled, it prevents vertical video rolling when switching multiple cameras to a single monitor. If text appears slightly tinted on color monitors, disabling the line lock may prevent this problem.

## **Name Information**

Relates to the display the dome name, the area where the dome is pointing, the name of the preset or pattern that is running, and alarm names. The display of each type of name setting can be enabled or disabled. When the display of camera or area names is enabled, the information appears on the screen continuously. Preset, pattern, and alarm names appear only while they are active.

## **Normal Input State**

Describes the expected state of a device connected to one of four SpeedDome Ultra III inputs. The normal state may be *open* or *closed*. When a device is not in its normal input state, an alarm is issued.

## **Password Protection**

Prevents unauthorized users from starting the configuration utility. The password may be from 1 to 8 characters long.

## **Patterns**

A series of pan, tilt, zoom and focus movements from a single programmable dome. Up to 3 patterns may be programmed for the SpeedDome Ultra III camera dome.

## **Presets**

Programmed video scenes, based on a specific pan, tilt, zoom, and focus settings. Up to 96 presets may be programmed for the SpeedDome Ultra III camera dome.

## **“Virtual” Views**

Similar to *presets*. However, virtual views store the pan, tilt, zoom, focus, and iris settings within the controller, not the dome. Virtual Views **cannot** be used as the *Home Position* or *Alarm Actions*.

## **White balance**

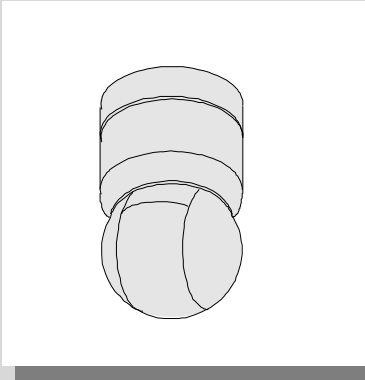
Adjustments in the color hue (red-blue and magenta-green) gains for a camera so that true white appears white in the image. It is normally compensated for by the automatic gain control. In some lighting conditions, you may need to manually adjust the red-blue and magenta-green settings for optimal viewing. When Automatic White Balance is enabled, the camera measures the image and automatically adjusts the red-blue and magenta-green settings to balance white. When Automatic White Balance is disabled, the camera uses the values set for the red-blue and magenta-green settings to balance white.

## **Zoom**

To adjust the magnification of the camera lens to make an object appear closer (larger) or farther away (smaller).

## **Zoom stop factors**

Defines how to partition the zoom function. The first zoom stop setting may be 12X or 18X. The maximum zoom stop setting may be 24X, 36X, 48X, 60X, 72X, 84X, or 96X.



# Index

## —A—

- adjusting white balance, 3-6
- AGC mode setting, 3-5
- alarm action settings, A-2
- Alarm actions
  - how to configure, 4-3
- alarm input normal state settings, A-2
- Alarm input states
  - how to configure, 4-6
- alarm naming, 5-10
- alarm settings, 4-1
- area boundary settings, A-3
- area naming, 5-10
- area settings, 4-1
- assigning the dome's home position, 4-9
- Automatic Gain Control
  - setting manual versus automatic mode, 3-5
- automatic gain control settings, 3-1

- Automatic White Balance
  - enabling/disabling, 3-7

## —C—

- camera and lens settings, A-2
- camera naming, 5-10
- changing password, 6-5
- changing red / blue white balance settings, 3-8
- changing text display attributes, 5-1
- changing the display of all name information, 5-5
- changing the display of *some* name information, 5-6
- Configuration utility
  - how to exit, 1-4
  - how to make selections, 1-3
  - how to move the cursor, 1-3
  - how to start, 1-2
  - what is it?, 1-2
- configuring alarm actions, 4-3
- configuring normal input states, 4-6

## —D—

### Default settings

- how to restore, 1-6

### Diagnostic Information

- how to display, 5-9

disabling password, 6-7

displaying diagnostic information, 5-9

displaying status and name information, 5-1

- Name information, 5-1

- Status information, 5-1

- display or hide name information overview, 5-4

- display or hide status information, 5-3

- prevent vertical rolling, 3-3

- program presets, 4-15

- reset programmable names, 5-6

- select language for screens, prompts, status, 6-3

- set “flip” feature, 2-3

- set home position for dome, 4-9

- set name information, 5-10

- set password, 6-5

- set zoom stop factors, 2-4

## —E—

enabling / disabling automatic white balance, 3-7

enabling password, 6-7

exiting the configuration utility, 1-4

## —I—

### Information

- name, 5-1

- status, 5-1

## —F—

### Factory settings

- how to restore, 1-6

### Flip feature

- how to set, 2-3

## —L—

language choices, 6-3

language setting, 6-1

license

- software, B-1

### Line Lock

- setting to adjust text overlay appearance on color monitors, 3-3

- setting to prevent vertical rolling, 3-3

Line Lock settings, 3-1

## —G—

getting started, 1-1

## —H—

### Home position

- how to set, 4-9

home position settings, A-2

home settings, 4-1

how to

- adjust text overlay appearance on color monitors, 3-3

- change text display attributes, 5-14

- configure alarm actions, 4-3

- configure alarm input states, 4-6

- display or hide

  - all* name information, 5-5

  - some* name information, 5-6

## —M—

making selections, 1-3

moving the cursor, 1-3

## —N—

### Name information

- how to display / hide, 5-4

- how to display / hide *all*, 5-5

- how to display / hide *some*, 5-6

- how to set, 5-10

name settings, A-4

## —O—

on-screen text display settings, A-3

Overview

- alarm, area, and home settings, 4-2
- camera and lens function settings, 3-2
- language / password screen, 6-2
- on-screen text display, 5-2
- pan, tilt, zoom settings, 2-2

## —P—

pan / tilt / zoom settings, A-2

Pan settings, 2-1

password, 1-5

- enabling / disabling, 6-7
- setting, 6-5

pattern naming, 5-10

preset naming, 5-10

preset settings, A-5

Presets

- programming, 4-15

Programmable Names

- resetting all, 5-6

## —R—

Records, A-1

- alarm action settings, A-2
- alarm input normal state settings, A-2
- area boundary settings, A-3
- camera and settings, A-2
- home position settings, A-2
- name settings, A-4
- on-screen text display settings, A-3
- pan / tilt / zoom settings, A-2
- preset settings, A-5
- text attribute settings, A-3

related documents, ix

reset programmable names, 5-6

restoring factory settings, 1-6

## —S—

selecting a language, 6-3

setting names, 5-10

- instructions, 5-10

setting password, 6-5

setting the flip feature, 2-3

setting the zoom stop factors, 2-4

Settings

- language, 6-1

- password, 6-1

Software License Agreement, B-1

starting the configuration utility, 1-2

Status information

- how to display / hide, 5-3

## —T—

text attribute settings, A-3

Text conventions

- what type styles mean (bold, italics, monospace), ix

Text Display Attributes

- character outline, 5-14

- translucent names, 5-14

Tilt settings, 2-1

## —V—

Vertical Phase. *See* Line Lock

## —W—

White balance

- adjusting red / blue settings, 3-8

- enabling / disabling automatic white balance, 3-7

- how to adjust, 3-6

white balance settings, 3-1

## —Z—

Zoom settings, 2-1

- changing first zoom stop factor, 2-4

- changing maximum zoom, 2-5

Zoom stop factors

- how to set, 2-4

**American Dynamics - Sensormatic CCTV Systems Division**

---

One Blue Hill Plaza Pearl River, New York 10965  
Telephone 914-624-7600 • Telefax 914-624-7739 • Toll Free 800-442-2225

**Sensormatic Electronics Corporation**

951 Yamato Road Boca Raton, Florida 33431-0700  
Telephone 561-989-7000 Telefax 561-989-7017 Toll Free 800-241-6678



 **Sensormatic**  
WORLD LEADER IN ELECTRONIC SECURITY

8000-1965-01