

SpeedDome Ultra II Configuration Utility Quick Reference

This Quick Reference illustrates the screens found in the SpeedDome Ultra II Configuration Utility. The large numbers in the circles represent the number of the screen. The small numbers appearing to the right of the menu choices represent the screen you will see if you pick that choice. **Note:** The numbers in the circles do not actually appear on the screens.

To start the configuration utility, press and hold **Iris Open**, press and hold a **Focus** button, then press **Zoom Out**. Refer to the keyboard or TOUCH TRACKER operating instructions for the locations of the control buttons.

1 DOME CONFIGURATION MENU

- 2** PAN/TILT/ZOOM OPTIONS
- 3** CAMERA & LENS FUNCTIONS
- 4** ALARMS / AREAS / HOME
- 5** ON-SCREEN TEXT DISPLAY
- EXIT AND SAVE CHANGES
- QUIT WITHOUT SAVING
- RESET TO FACTORY SETTINGS

NOTE: If password protection is enabled, you must enter the password before the Dome Configuration Menu will display. Refer to screen **17** for information.

The following table describes the functions of the controls used to interact with the screens. Where a specific **Focus** button is not listed, either **Focus Near** or **Focus Far** may be used.

Function	Control
Display configuration menu	Iris Open, Focus, then Zoom Out
Save and exit utility from any screen	Iris Close then Focus
Moves highlight bar up	Tilt Up
Moves highlight bar down	Tilt Down
Moves highlight bar right	Pan Right
Moves highlight bar left	Pan Left
Selects the highlighted item	Focus Far
Increases the value or displays the next choice	Zoom In (Zoom Tele)
During naming, moves the cursor to the right of the current character in the name	
Decreases the value or displays the previous choice	Zoom Out (Zoom Wide)
During naming, moves the cursor to the left of the current character in the name	

2 PAN / TILT / ZOOM OPTIONS

PROPORTIONAL FLIP **OFF**

1ST ZOOM STOP X 18

MAX TOTAL ZOOM X 96

EXIT **1**

RESET TO FACTORY SETTINGS

Settings (Defaults in Bold)

Proportional Flip **ON** / **OFF**

1st Zoom Stop X 12 / **18**

Max Total Zoom X 24/ 36/ **48**/ 60/ 72/ 84/ 96

3 CAMERA & LENS FUNCTIONS

LINE LOCK **OFF**

AGC MODE ON

AGC GAIN 112

AUTO WHITE BAL ON

R-B WHITE BAL 457

M-G WHITE BAL 563

EXIT **1**

RESET TO FACTORY SETTINGS

Settings (Defaults in Bold)

Line Lock **ON** / OFF

AGC Mode **ON** / OFF

AGC Manual Gain: 0 - 448*

Auto White Bal **ON**/OFF

R-B White Bal 192-768**

(Low Number: More Blue; High Number: More Red)

M-G White Bal 192-768**

(Low Number: More Green; High Number: More Magenta)

* AGC Mode must be OFF to change

** Auto White Bal must be OFF to change

4 ALARMS / AREAS / HOME

SET ALARM ACTIONS **6**

CONFIGURE NORMAL STATES **7**

CONFIGURE HOME POSITION **8**

PROGRAM AREA BOUNDARIES **9**

PROGRAM PRESETS **10**

EXIT **1**

7 CONFIGURE NORMAL STATES

INPUT NO.	NORMAL STATE
1	OPEN
2	OPEN
3	CLOSED
4	OPEN

EXIT **4**

Select an item, then press **Focus Far** to make the changes.

Settings (Defaults in Bold)

Input 1 - 4 Normal State **OPEN** / CLOSED

5 ON-SCREEN TEXT DISPLAY

STATUS DISPLAY **OFF**

DISABLE ALL NAMES? NO

NAME CONFIGURATION MENU **12**

TEXT ATTRIBUTE OPTIONS **15**

SET PASSWORD **16**

PASSWORD PROTECTION OFF

EXIT **1**

8 CONFIGURE HOME POSITION

HOME POSITION **PRESET 1**

RETURN TIME (MINS) 10

If Preset is selected and no preset exists, you will see **11**

EXIT **4**

Settings (Defaults in Bold)

Status Display ON / **OFF**

Disable All Names? YES / **NO**

Password Protection ON / **OFF**

Settings (Defaults in Bold)

Return to Home Position **NO ACTION** / PRESET / PATTERN

Return Time (Mins) 1 - 60 (Default is **10** minutes)

6 SET ALARM ACTIONS

INTERNAL ALARMS

INPUT NO.	ACTION
1	NO ACTION
2	PRESET 4
3	PATTERN 3
4	NO ACTION

SEND INPUTS TO HOST YES

EXIT **4**

9 PROGRAM AREA BOUNDARIES

PAN to start of BOUND **3**

PAN RIGHT ONLY

Press Focus Far twice to return to **4**

ZOOM to mark BOUNDARY

FOCUS saves and exits

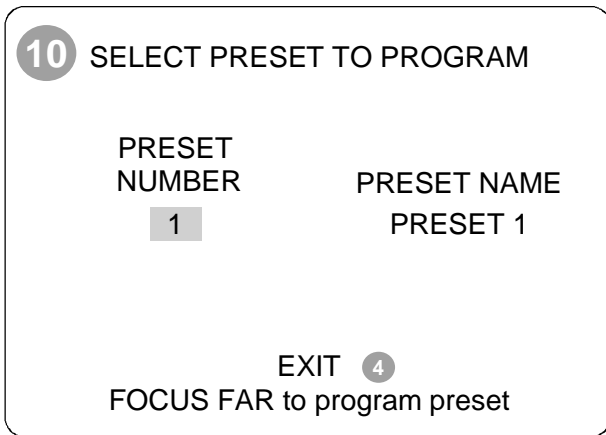
Settings (Defaults in Bold)

Input 1 - 4 Actions **NO ACTION** / PRESET / PATTERN

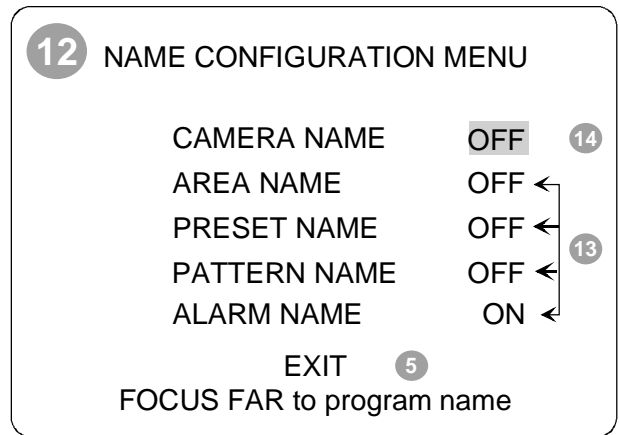
Send Inputs to Host? **YES** / NO

Preset Number 1-4; Pattern Number 1-3

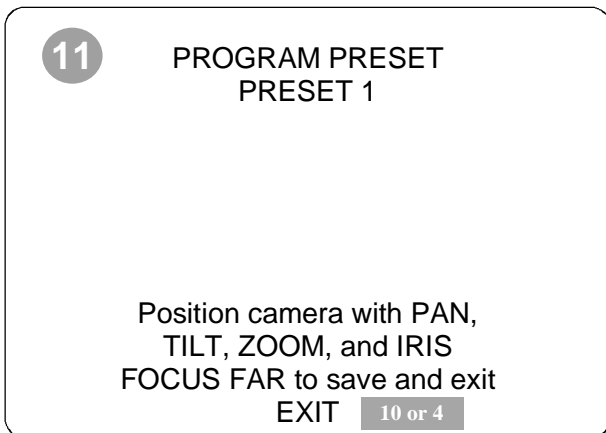
- Up to 16 areas can be programmed.
- Press **Zoom In** or **Zoom Out** to set area boundary
- Press **Focus Far** when finished setting areas



- Use **Zoom In** or **Zoom Out** choose the correct preset number.
- Press **Focus Far** to perform preset programming.



- Use **Zoom In** or **Zoom Out** to change setting for highlighted item.
- Press **Focus Far** to perform name programming for highlighted item. In this example, Camera Naming would be started.



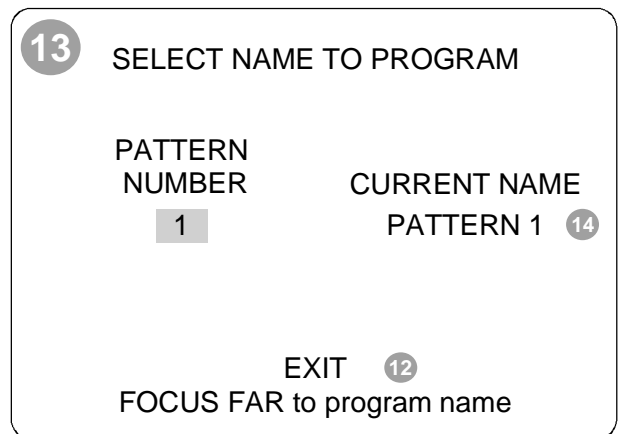
This screen appears under two circumstances:

- By selecting a preset number and pressing **Focus Far** on the **Select Preset To Program** screen (see screen 10).
- By selecting a preset that has not been programmed as the **Home Position** (see screen 8).

Use **Pan**, **Tilt**, **Zoom**, and **Iris** controls to set the view for the preset. Press **Focus Far** when finished.

Settings (Defaults in Bold)

Camera Name ON / **OFF**
 Area Name ON / **OFF**
 Preset Name ON / **OFF**
 Pattern Name ON / **OFF**
 Alarm Name **ON** / OFF

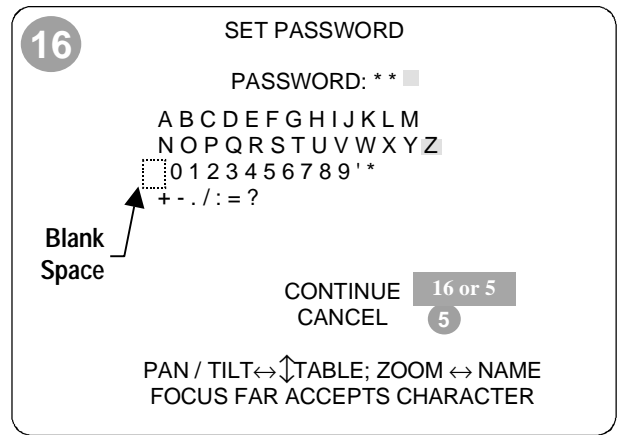
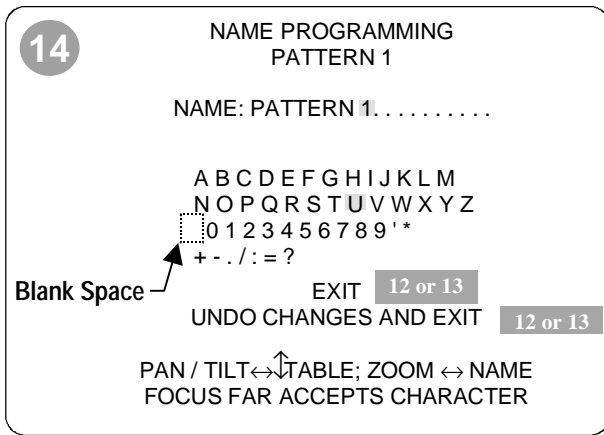


Example Select Name to Program Screen (for Patterns)

- Use **Zoom In** or **Zoom Out** choose the correct area, preset, pattern or alarm number.
- Dome moves to start of specified area, preset, or pattern (if programmed)
- Press **Focus Far** to display Name Programming Screen

Available Settings:

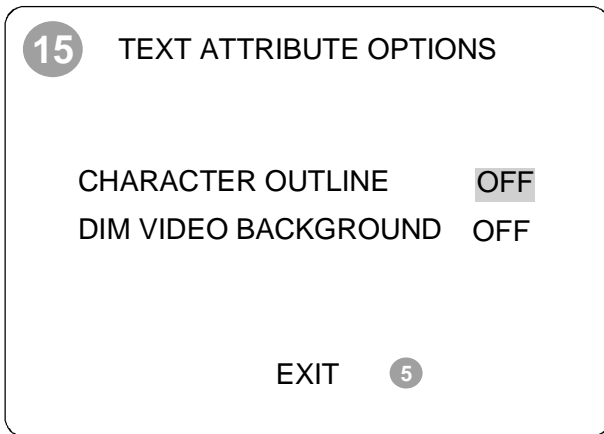
Area Number 1-16
 Preset Number 1-4
 Pattern Number 1-3
 Alarm Number: 1-4



Example Name Programming Screen (for Patterns)

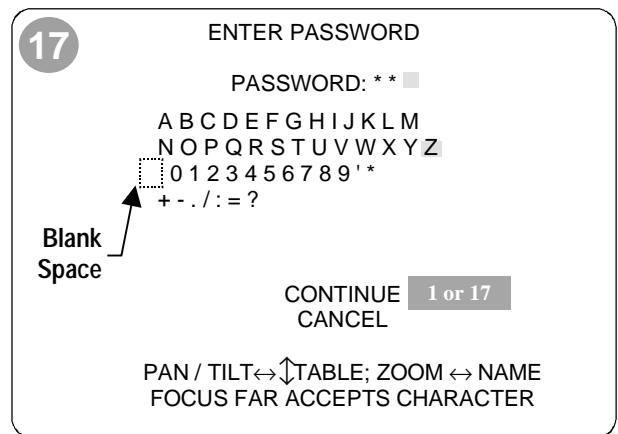
- Names can have up to 19 characters
- Use **Zoom In** to move cursor one space to right in **Name**
- Use **Zoom Out** to move cursor one space to left in **Name**
- Use **Pan** and **Tilt** to move highlight around character field
- Press **Focus Far** to accept highlighted character
- The **SPACE** character is located below the **N**

- Passwords can be from 1 to 8 characters.
- Asterisks appear when characters are selected.
- Use **Zoom In** to move cursor one space to right in **Password**
- Use **Zoom Out** to move cursor one space to left in **Password**
- Use **Pan** and **Tilt** to move highlight around character field
- Press **Focus Far** to accept highlighted character
- The **SPACE** character is located below the **N** character
- To accept password, move highlight to **Continue**, then press **Focus Far**. **Re-enter for Verification** appears on screen.
- To cancel password programming, move highlight to **Cancel**, then press **Focus Far**.
- To set or change password, the same password must be entered twice. After 2nd successful entry, screen **5** appears
- **Password Protection** must be set to **ON** for password to be activated. See screen **5**.



Settings (Defaults in Bold)

Character Outline **ON** / OFF
 Dim Video Background ON / **OFF**



- Asterisks appear when characters are selected.
- Use **Zoom In** to move cursor one space to right in **Password**
- Use **Zoom Out** to move cursor one space to left in **Password**
- Use **Pan** and **Tilt** to move highlight around character field
- Press **Focus Far** to accept highlighted character
- The **SPACE** character is located below the **N** character
- To accept password, move highlight to **Continue**, then press **Focus Far**. If password is correct, screen **1** appears. Otherwise, Enter Password screen remains.
- To cancel, move highlight to **Cancel**, then press **Focus Far**.