


Arm Extension Structure with Corner Feature

This procedure explains how to assemble and mount the dome's arm extension structure with corner feature to an inside corner, wall, or outside corner.

	<p>Ensure the wall material, particularly sheet rock, can support the dome.</p>
---	--

Tools Required

Level
Phillips head screwdriver
Drill with 1/4" concrete bit
Ratchet wrench with 5.5mm, 7mm, and 11mm sockets.

Mounting Structure Required

01RHIULWM Wall Mount, Extended

a)	Bracket, Wall Mount	1	0500-7844-01
b)	Bracket, Extended Mount	1	0500-7846-01
c)	Arm, Wall Mount	1	0500-7488-01
d)	Cap, Pendant	1	0500-7719-01
e)	Screw, Machine, M4x12, PHP	1	5801-2071-120
f)	Nut, Locking, M3, SS	2	5826-0200-020
g)	Anchor, Drywall. w/Screw	4	2880-0025-02
h)	Anchor, Concrete, 1/4-20	4	2880-0079-01
i)	Washer, Locking, 1/4"	4	2847-0101-10
j)	Screw, Mach., HXHD, 1/4-20	4	2802-8501-54
k)	Screw, STAP, AB, 4.8x32, PHP	4	5810-5091-120
l)	Nut, Hex, M4, SS, Lock	4	5826-0300-020

Figure 1 shows the mounting assembly. Annotations refer to items in the install kit.

Figure 1. Mounting assembly

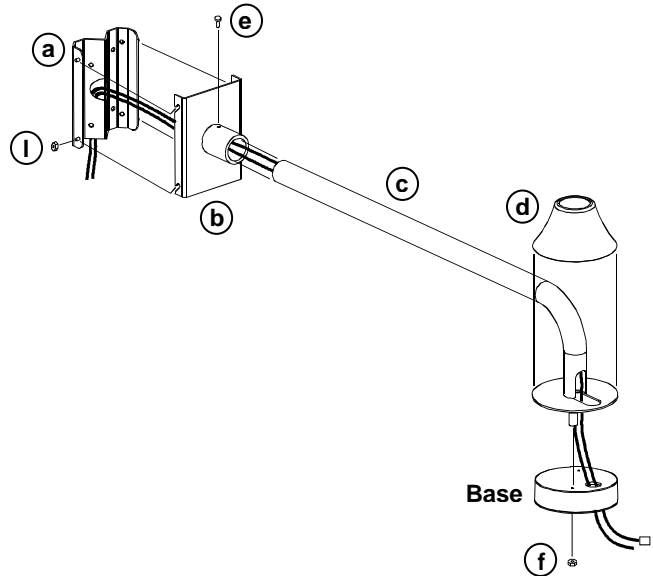
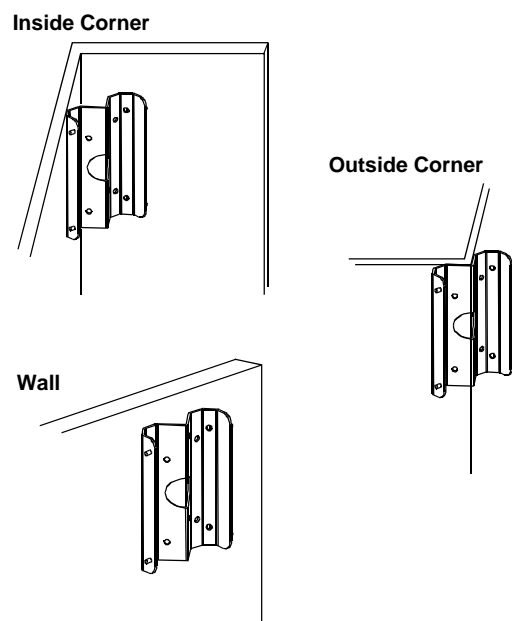


Figure 2 shows how the wall mount bracket [a] attaches to an inside corner, a wall, or an outside corner.

Figure 2. Wall mount bracket mounting methods



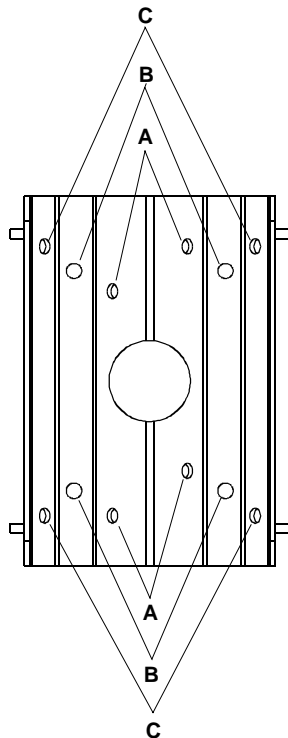
Procedure

Refer back to Figure 1 while performing this procedure:

1. Place wall mount bracket [a] on wall, level, and mark locations for four mounting holes (Figure 3).

Use holes marked "A" for mounting to an outside corner, "B" for mounting to a wall, or "C" for mounting to an inside corner.

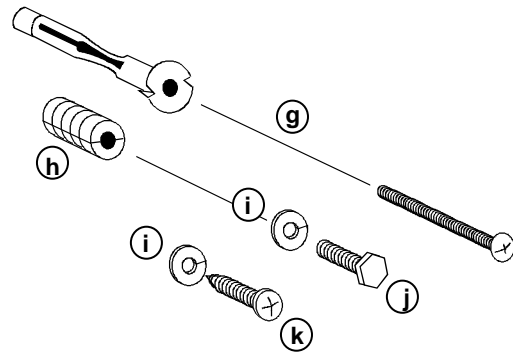
Figure 3. Wall mount bracket mounting hole selection



2. Anchor by performing step a, b, or c (refer to Figure 3).

- To sheet rock: Use anchor hardware [g].
- To wood: Use washer [i], and screw [k].
- To concrete: Use anchor [h], washer [i], and screw [j].

Figure 3. Anchor hardware options



3. Cut arm [c] to length and slip cap [d] over it.

4. Hook extended mount bracket [b] to wall mount bracket [a] and secure using four hex nuts [l].

5. Insert the arm into extended mount bracket [b] and secure using one M4x12 screw [e].

6. Attach the base or top hat housing by performing step a or b.

- Direct base attachment.* Attach the dome's base to the studs on the flange of the arm using two M3 locking nuts [f]. Feed cables as shown.
- Top hat housing attachment.* See *Top Hat Housing*, 8000-1648-01.