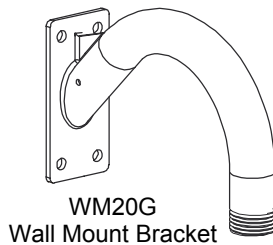
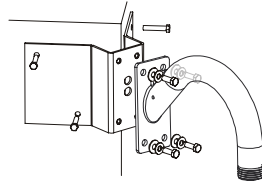


Wall Mount Bracket and Adapters for SpeedDome® Ultra Pressurized Outdoor Dome Housing

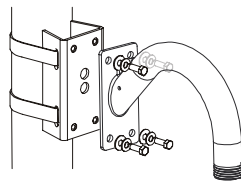
Installation Guide



WM20G
Wall Mount Bracket



ACA2
Corner Adapter



APM3
Pole Adapter

About this Guide

This guide explains how to install the wall mount bracket and corner and pole adapters used to support the pressurized outdoor dome housing.

Note: Because customer requirements dictate the placement of the outdoor dome housing, your Sensormatic representative will supply this information separately.

If you need assistance...

Contact your Sales Representative.



Note: This housing is designed to operate upright. Installing the housing upside down can damage its internal equipment, and will void the warranty.

Important Safe Guards



CAUTION: The housing is a pressurized enclosure. As such, certain care is required for the safe use of the product. Read instructions supplied with the housing.

1. Read and follow instructions – Read and follow all safety and operating instructions before operating the unit.
2. Retain Instructions – Retain safety and operating instructions for future reference.
3. Heed Warnings – Heed all warnings on the unit and in the operating instructions.
4. Both the pole and corner adapters are designed for outdoor use to support the wall mount bracket.
5. Combined weight of the assembly—camera, lens, housing, pan/tilt, and bracket(s)—must not exceed 5.45kg (12 lbs).
6. Select a location where the combined weight of the assembly can be properly supported. Accordingly:
 - a. The installation should be made by a qualified installer and be in compliance with local codes.
 - b. Select suitable installation hardware for the mounting surface and weight of the assembly and periodically examine the housing and support structures to ensure the integrity of the installation. Otherwise, the housing could separate from the support structure and fall, causing damage or injury.

Tools and Parts Required

Tools Required:

- .1in flat-head screwdriver
- Phillips screwdriver
- 3/8in socket.

Parts Supplied:

- 4 - Hex Head Bolts (3/8in - 16 x 1in)
- 4 - Lock Washers (3/8in)
- 4 - Flat Washers (3/8in)

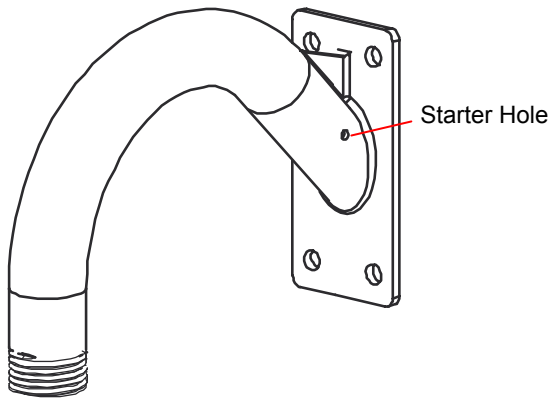
Installation

The following procedures describe how to mount the wall mount bracket and corner or pole adapters, if used.

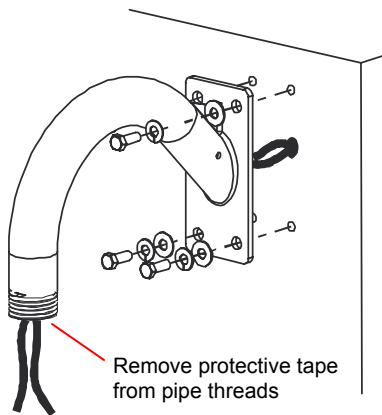
Wall Mount Bracket

1. Ensuring enough wiring exits the pipe for housing connections, run wiring through the pipe of the wall mount bracket.

Note: When wiring cannot be pulled through the wall, use the starter hole on the side of the bracket near the base to drill a 7/8in maximum hole for conduit clearance.



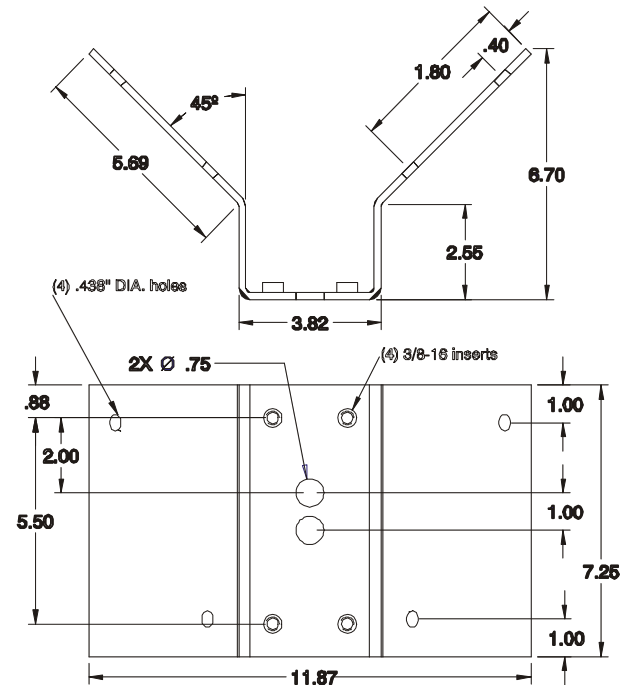
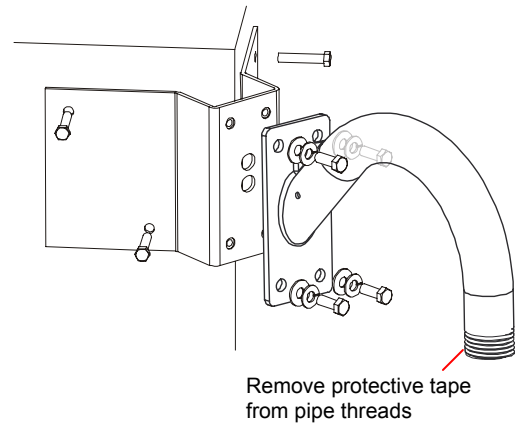
2. Mount the wall mount bracket to the wall (hardware not supplied).



3. Ensure all attachments are secure, remove protective tape from the pipe threads, then refer to instructions supplied with the SpeedDome Ultra pressurized outdoor dome housing.

Corner Adapter

1. Pull cables through a hole behind the bracket location, access holes in the corner adapter, and the pipe of the wall mount bracket.
2. Mount the corner adapter to the corner using appropriate hardware (not provided).
3. Attach the wall mount bracket to the corner adapter using four hex head bolts, lock washers, and flat washers provided.
4. Ensure all attachments are secure, remove protective tape from the pipe threads, then refer to instructions supplied with the SpeedDome Ultra pressurized outdoor dome housing.



Pole Adapter

1. Pull cables through access holes in the pole adapter and the pipe of the wall mount bracket.
2. Mount the adapter to the pole using metal straps (not supplied). Place straps through slots on the bracket and around the pole. Tighten straps.
3. Attach the wall mount bracket to the pole adapter using four hex head bolts, lock washers, and flat washers provided.
4. Ensure all attachments are secure, remove protective tape from the pipe threads, then refer to instructions supplied with the SpeedDome Ultra pressurized outdoor dome housing.

