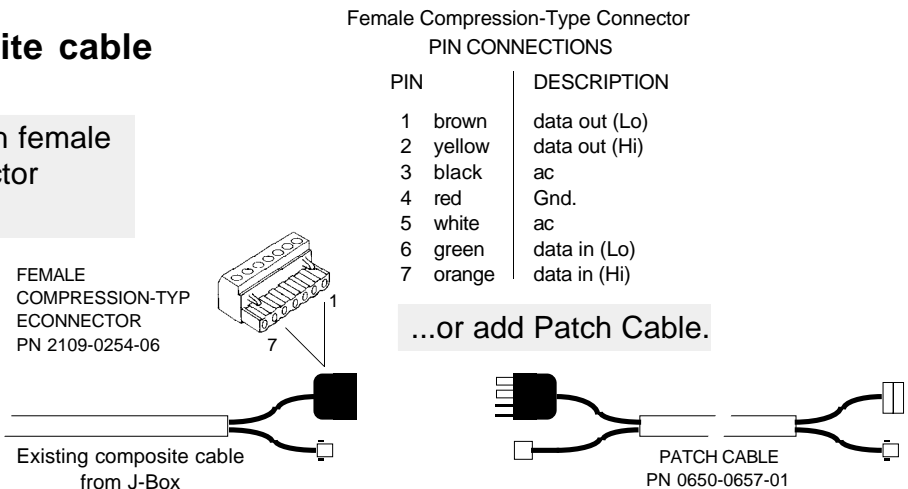


Dome Cable Conversions

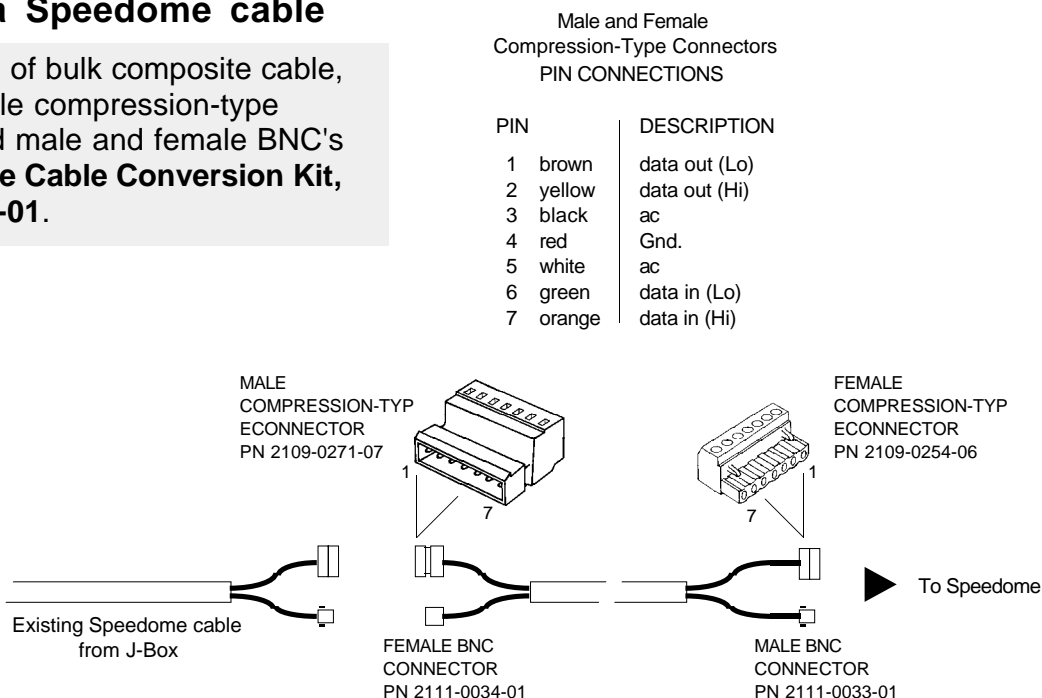
Adapting a composite cable for a Speedome

Replace Cinch-Jones with female compression-type connector (supplied with dome)...



Extending a Speedome cable

Add to a length of bulk composite cable, male and female compression-type connectors and male and female BNC's from **Speedome Cable Conversion Kit, PN 0351-0403-01.**



Adapting a Speedome cable for a Mini-Dome, etc.

Replace female compression-type connector with Cinch-Jones connector.

