

Installation Instructions

Over Roof Mount

Required Parts

Over Roof Install Kit 0351-0279-01

Description	Qty.	Part No.
Fitting, 90° pipe	1	0500-3499-01
Anchor bolt, 1/2x5 1/2"	4	2880-0049
Anchor, hollow wall, w/ P	3	2880-0074-01
Bolt, hex 1/2-13x4"	1	2880-8917-01
Washer, lock1/2"	4	2847-0300
Cable tie, Nylon, 7.5"	10	6009-0005
Rod, thread 1/2-13x18"	1	0500-2734-01
Nut, Hex 1/2-13"	2	2838-9117-04
Washer, flat, SS, P, .531ID X 1.25OD	2	2848-8101-11
Washer, flat, ST, Z, .812ID X 2.0OD	1	2848-1409-16
RTV compound	1	1600-0001
Pipe sealant	1	1600-0095-01
Washer, flat 5/16"	8	2848-6301-02
Nut, hex 5/16-18"	8	2838-9116-01
Bolt, hex 3/8-16x3/4"	2	2880-0082-01
Adaptor, BNC, male to female	1	2113-0004
Nut, hex, 1.5" pipe w/seal	1	1417-0042-01

Other Parts/Assys

Description	Qty.	Part No.
Plate, mounting	1	0500-3637-01
Bracket, mounting	1	0500-3638-01
Base wall/pole mount	1	0500-3463-01
Arm, mounting outdoor	1	0200-0173-01
Cover, base (optional)	1	0500-3668-01

U.S. Customary Measurements in italics are rounded off.

Procedure

Mounting the bracket assembly to a solid wall: Mount bracket assembly (a) to a solid wall or poured concrete cap, where possible.

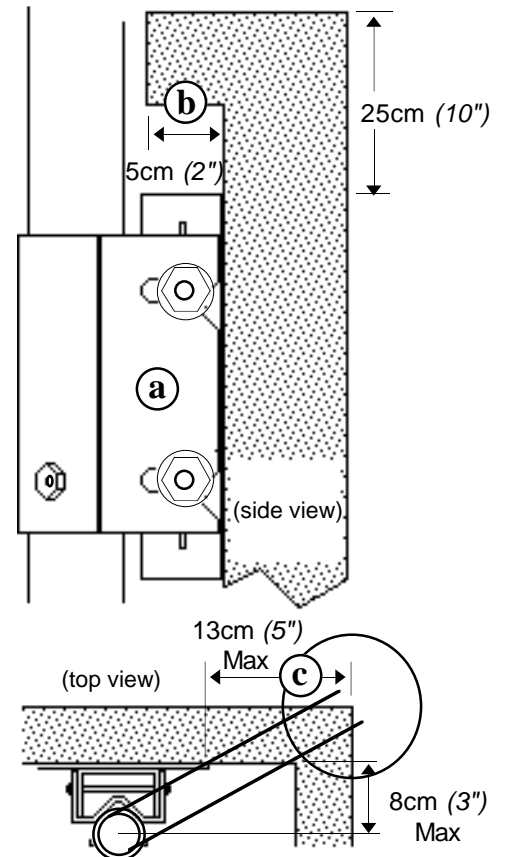
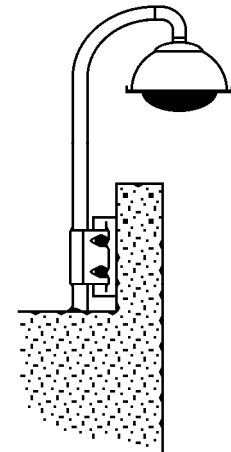
Mounting the bracket assembly to a parapet: Mounting to the inside of a parapet is preferred. Typically, for the bubble to clear, mount the base within:

- 25cm (10") of the top of the parapet. A parapet with a 5cm (2") lip is shown (b).
- 13cm (5") from the corner of the building (c).

Area required for mounting (includes clearance): Minimum 33cm (13") x 48cm (19").

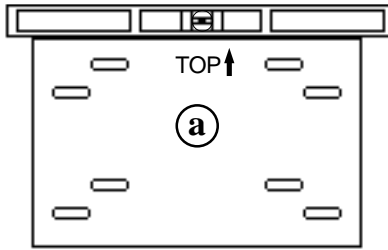
NOTE: If the above requirements cannot be met, mount the dome to the outside of the wall (a decorative cover can be purchased to enhance the

look of the base). Alternately, a 10-inch extender can be screwed into the end of the pipe, but tell the customer that increased vibration from wind gusts may result.

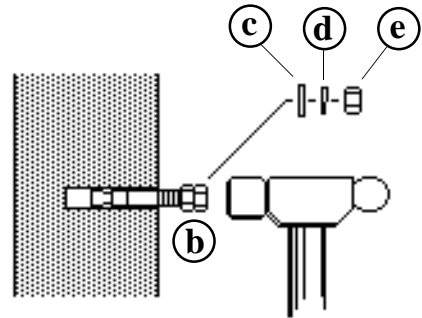


Over Roof Mount, continued

Place plate (a) in desired location, level, and mark slots. Plate MUST BE LEVEL. Remove template, then drill four 1/2-inch holes to the required depth for type of wall and hardware used.

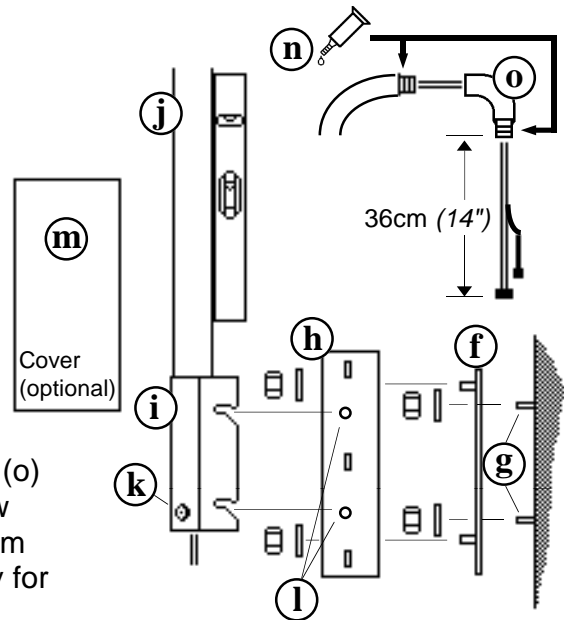


For each hole into solid concrete, screw two nuts (b) onto an anchor bolt, with two threads of second nut extending over end of bolt to protect threads.



Hammer bolt into wall leaving 1 1/4-inch exposed. Remove nuts and attach a 1/2-inch flat washer (c), lock washer (d) and nut (e) per Step 2. If voids are encountered, see NOTE below.

Slip slots of mounting plate (f) over bolts, togglers, or rods (g) and secure using proper hardware. Mount base (h) to the plate using hardware provided—any set of four studs can be used. Feed cables through bottom of bracket (i). Slip smooth-end of pipe (j) over cable and into bracket. Secure pipe by tightening screw (k) and level by adjusting nuts (l). If using a decorative cover (m), slide it over pipe.



Apply pipe sealant to pipe threads (n), then slip elbow (o) over cable and screw elbow onto pipe. Once on, elbow opening should face down. **NOTE:** Approximately 36cm (14") of cable must exit elbow. The mount is now ready for housing and chassis installation.

NOTE: Voids encountered while drilling...

One void only: Insert toggler (provided) through hole where void occurred. Insert associated bolt per Step 2.

Two or more voids: For each void, drill hole through wall. Then, insert threaded rod (provided) through hole and attach hardware shown per Step 2. Purchase additional rods/hardware as required.

