

Wall Mount Structure with Corner Feature

This procedure explains how to assemble and mount the dome's wall mount structure with corner feature to an inside corner, wall, or outside corner.

Ensure the wall material, particularly sheet rock, can support the dome.

Tools Required

- Level
- Phillips head screwdriver
- Drill with 1/4" concrete bit
- Ratchet wrench with 5.5mm, 7mm, and 11mm sockets.

Mounting Structure Required

01RHIUCM Wall Mount, Extended

a)	Bracket, Wall Mount	1	0500-7844-01
b)	Bracket, Flush Mount	1	0500-7845-01
c)	Cover, Wall Mount	1	0500-7663-01
d)	Screw, Machine, M3x8, PHP	1	5801-1051-120
e)	Nut, Locking, M3, SS	2	5826-0200-020
f)	Anchor, Drywall. w/Screw	4	2880-0025-02
g)	Anchor, Concrete, 1/4-20	4	2880-0079-01
h)	Washer, Locking, 1/4"	4	2847-0101-10
i)	Screw, Mach., HXHD, 1/4-20	4	2802-8501-54
j)	Screw, STAP, AB, 4.8x32, PHP	4	5810-5091-120
k)	Nut, Hex, M4, SS, Lock	4	5826-0300-020

Figure 1 shows the mounting assembly. Annotations refer to items in the install kit.

Figure 1. Mounting assembly

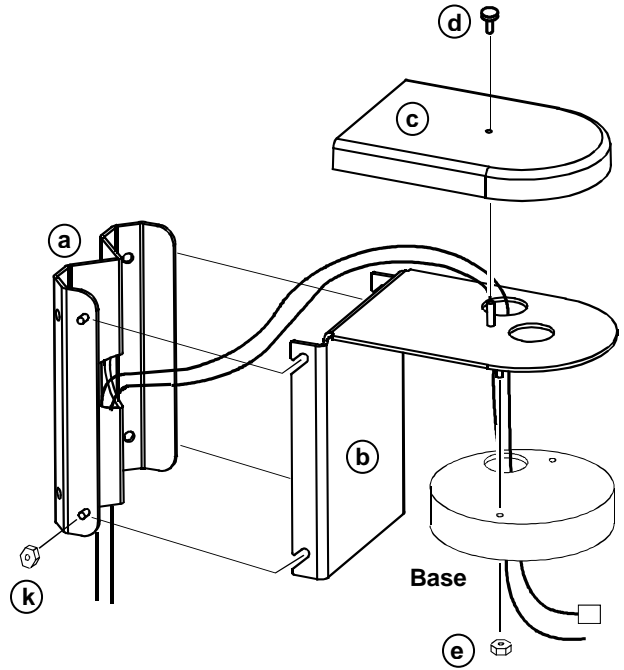
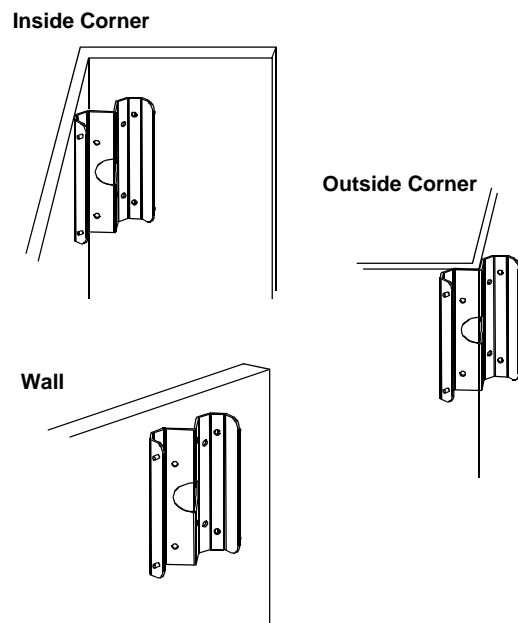


Figure 2 shows how the wall mount bracket [a] attaches to an inside corner, a wall, or an outside corner.

Figure 2. Wall mount bracket mounting methods



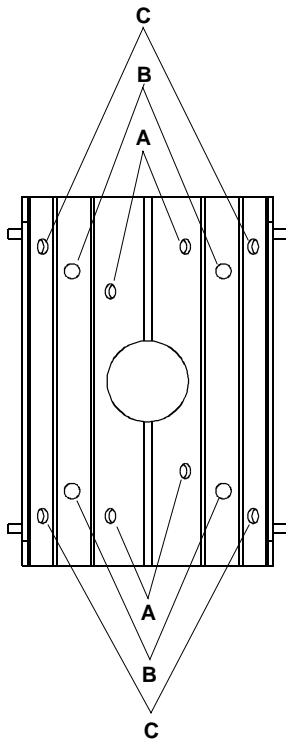
Procedure

Refer back to Figure 1 while performing this procedure:

1. Place wall mount bracket [a] on wall, level, and mark locations for four mounting holes (Figure 3).

Use holes marked "A" for mounting to an outside corner, "B" for mounting to a wall, or "C" for mounting to an inside corner.

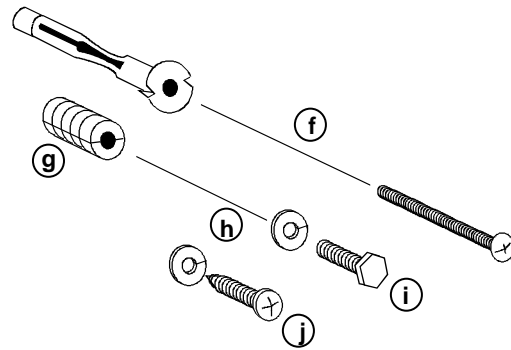
Figure 3. Wall mount bracket mounting hole selection



2. Anchor by performing step a, b, or c (refer to Figure 3).

- a. To sheet rock: Use anchor hardware [f].
- b. To wood: Use washer [h], and screw [j].
- c. To concrete: Use anchor [g], washer [h], and screw [i].

Figure 3. Anchor hardware options



3. Hook flush mount bracket [b] to wall mount bracket [a] and secure using four hex nuts [k].

4. Attach the base or top hat housing by performing step a or b.

- a. Direct base attachment. Attach the dome's base to the studs on the flange of the arm using two M3 locking nuts [e] Feed cables as shown.
- b. Top hat housing attachment. See Top Hat Housing, 8000-1648-01.

5. Place cover [b] over the bracket and secure using one M3x8 screw [d].