

# SANYO

## 1/3" Color CCD DSP Super High-Resolution Camera

- Super High-Resolution of 520 TV Lines
- High Sensitivity-Minimum Illumination of 1.0 lux
- Switchable AGC On / Off
- Dual power Operation 12V DC & 24V AC
- Compact Design
- Great for Casino Applications

VCC-5884



Exview™  
CCD  
Technology



(Shown with an Optional Lens)

# VCC-5884

1/3" COLOR CCD DSP  
SUPER HIGH-RESOLUTION  
CAMERA

## MAIN FEATURES

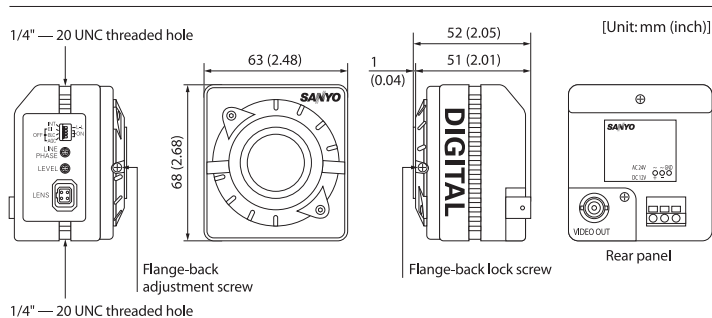
- **Digital Signal Processing (DSP)** allows better picture quality
- **Super High-Resolution Technology** with 520 lines of Horizontal Resolution
- **High Sensitivity** shows images down to 1.0 lux illumination at f1.2 (AGC-ON)
- **Switchable AGC On/Off**
- **DC-type** auto iris lenses applicable
- **Internal/Line-lock** Synchronization
- **EI/AI function**
- **24V AC/12V DC** Dual Power Operation

## Specifications

	VCC-5884
<b>Scanning System</b>	NTSC Standard: 525 lines, 30 Frames/Sec.
<b>Image Sensor</b>	1/3" (Approx. 4.8mm x 3.6mm) interline transfer method
<b>Effective Picture Elements</b>	768 (H) x 494 (V)
<b>Resolution</b>	Horizontal: 520TV lines, Vertical: 350TV lines
<b>Minimum illumination</b>	1.0 lux (AGC on) @ F1.2
<b>Video output level</b>	1.0 Vp-p @ 75 ohms, composite
<b>Video S/N ratio</b>	More than 50db (AGC off)
<b>Backlight Compensation</b>	ON / OFF – Slide SW (side) ON = Center-zone photometry system – Slide SW (side) (activated when auto iris lens used)
<b>White Balance</b>	TTL auto tracking white balance
<b>Gain Control</b>	AGC on / off
<b>Light Control</b>	Optical auto iris lens / Electronic iris (indoor use)
<b>Lens Mount</b>	CS Mount
<b>Flange Back</b>	12.5mm ± 0.5mm adjustment
<b>Auto Iris Lens</b>	DC type
<b>Auto Iris Output</b>	DC: Drive coil (+,-), Brake (damp) coil (+,-)
<b>Electronic Iris</b>	ON (EI) / OFF (AI) – Slide SW (side)
<b>Electronic Iris Range</b>	1.0 lux to 50,000 lux (with f1.2 lens)
<b>Synchronizing System</b>	Internal sync / Line lock – Slide SW (side)
<b>V Phase Adjustment</b>	LINE PHASE – VR (rear)
<b>Sockets</b>	Video Signal VIDEO OUT BNC. (Rear) Auto Iris Lens LENS 4-pin (Side) Power Supply 24V AC, GND Pushbutton term. x 3 (Rear) 12 to 15V DC Pushbutton term. x 2 (Rear)
<b>Environmental Conditions</b>	Operating: Temperature: -10°C to +50°C / +14°F to 122°F Humidity: Within 90% RH Storage: Temperature: -20°C to +70°C / -4°F to 158°F Humidity: Within 70% RH
<b>Power Requirement</b>	24V AC, 60Hz / 12 to 15 V DC
<b>Power Consumption (approx.)</b>	3.6 W
<b>Camera Mount</b>	1/4" – 20 UNC (top / bottom selectable)
<b>Dimensions (W x H x D)</b>	2.48(w) x 2.68(h) x 2.01(d) inches (63 x 68 x 51mm) (excluding protrusions)
<b>Weight</b>	5.64 oz. (160g) (w/o Lens)

Specifications and product design are subject to change without notice.  
©2004 SANYO Security Products

## Dimensions



# SANYO

SANYO Security Products  
21605 Plummer Street  
Chatsworth, CA 91311  
Phone: (888) 893-7403  
Fax: (888) 818-2597  
Technical Support: (888) 66-SANYO  
www.sanyoocvt.com