



## AD9410

10-INCH COLOR MONITOR



The AD9410 is a compact, high performance, 10-inch color monitor with 280 TV lines resolution.

This monitor is able to automatically detect PAL or NTSC format.

The monitor contains a latching power switch, which remains in its set position – either on or off – regardless of incoming power status. Therefore the monitor does not have to be physically turned back on after a power loss.

The monitor's heavy-duty metal cabinet enables it to be mounted in standard 19-inch EIA racks (using the optional rack mount kit). This allows it to be easily incorporated into video monitoring systems and surveillance applications.

### FEATURES

- 280 TV lines resolution
- Two looping audio input pairs (A/B)
- NTSC/PAL format auto detect
- Auto termination
- Two looping video input pairs
- Convenient front panel controls
- Universal power supply
- Latching power switch
- Heavy duty metal cabinet
- Rack mount (optional)

## SPECIFICATIONS

### Model Number

AD9410 ..... Monitor, Color, 10 in, 280 TV lines,  
NTSC/PAL

### Operational

Picture Tube ..... 10-inch diagonal, 90° deflection angle,  
flat-square type CRT  
Resolution ..... 280 TV lines  
Video Input  
Level ..... 0.5 to 2.0 Vp-p, composite  
Impedance ..... HiZ/75 Ω, auto termination  
Audio Output ..... 0.8 watt

### Front Panel Controls

Tint ..... Adjusts picture to obtain most natural  
colors (skin tones)  
Color ..... Adjusts depth of saturation of color; used  
to select individual viewer's preference in  
color saturation  
Bright ..... Adjusts overall shading of picture and  
establishes picture brightness  
Contrast ..... Adjusts relationship between light and  
dark areas of picture  
Sharp ..... Adjusts sharpness of picture  
Volume +/- ..... Adjusts volume higher and lower  
Video A/B ..... Selects video input A/B  
Power ..... Turns monitor on and off

### Connectors

Video A & B ..... Two sets of BNC pairs for loop-through  
operation  
Audio A & B ..... Two sets of RCA connectors for  
loop-through operation  
AC Input Connector ..... IEC 320 type connector for AC input  
Power Cables  
North American ..... NEMA 5-15P, UL  
Continental European ..... CEE7/7, GS

### Electrical

Voltage ..... 100 to 240 VAC (50/60 Hz)  
Power ..... 50 watts

### Mechanical

Dimensions (H x W x D)  
Cabinet ..... 26.0 x 26.5 x 33.0 cm  
(10.24 x 10.43 x 13.0 in)  
Rack Mount ..... 31.1 x 48.3 x 29.5 cm  
(12.25 x 19.0 x 11.63 in)  
Unit Weight ..... 8.5 kg (18.76 lbs)  
Shipping Weight ..... 10 kg (22.08 lbs)  
Color ..... Black  
Construction ..... Metal cabinet

### Environmental

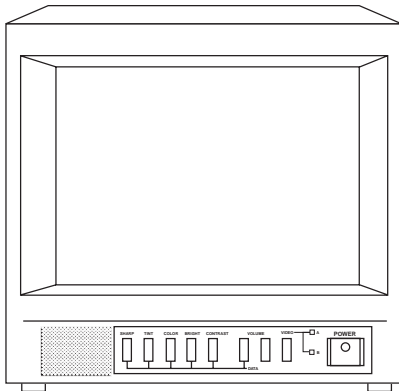
Operating Temperature ..... 0° to 40° C (32° to 104° F)  
Humidity ..... 90% RH (non-condensing)  
Storage Temperature ..... -10° to 50° C (14° to 122° F)

### Regulatory

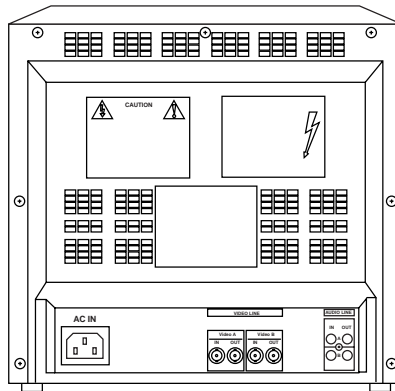
Emissions ..... FCC: Part 15, Subpart B, Class A  
CE: EN55022, Meets Canadian ICES-003  
Meets Australian and New Zealand EMC  
Immunity ..... CE: EN50130-4, Meets Australian and  
New Zealand EMC  
Safety ..... UL1410, CSA 22.2, No. 1  
CE: EN60065, DHHS: Rules 21,  
Subchapter J ROV

### Options

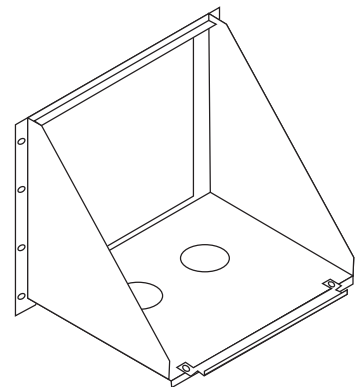
AD9410RK ..... Rack Mount Kit (single rack)



Front Panel



Rear Panel



AD9410 Rack Mount Kit  
(single rack)